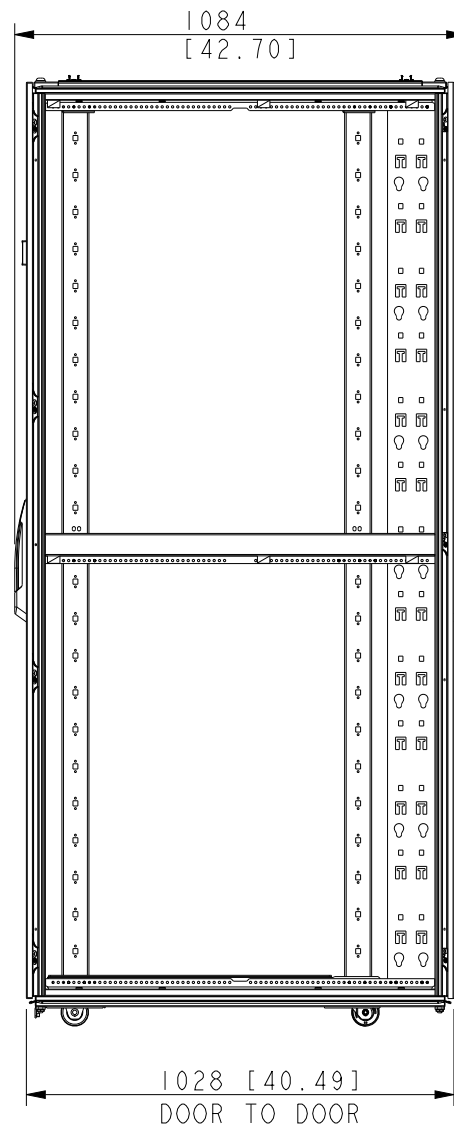
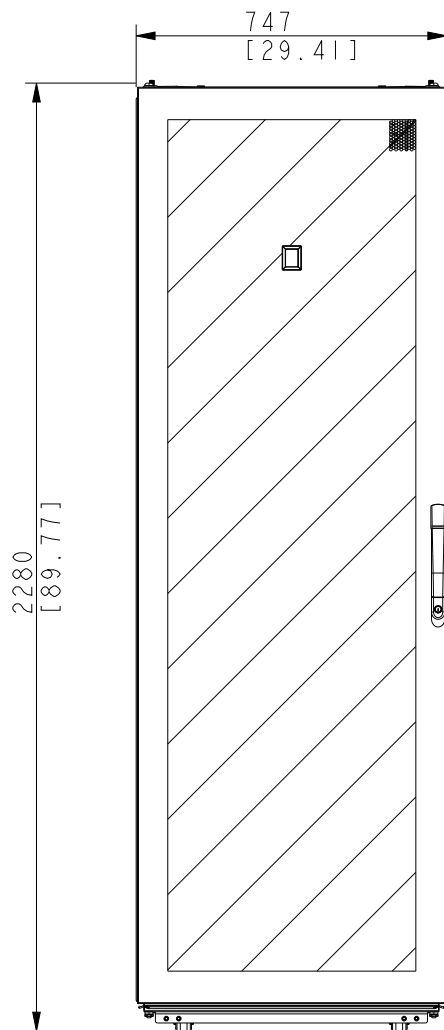
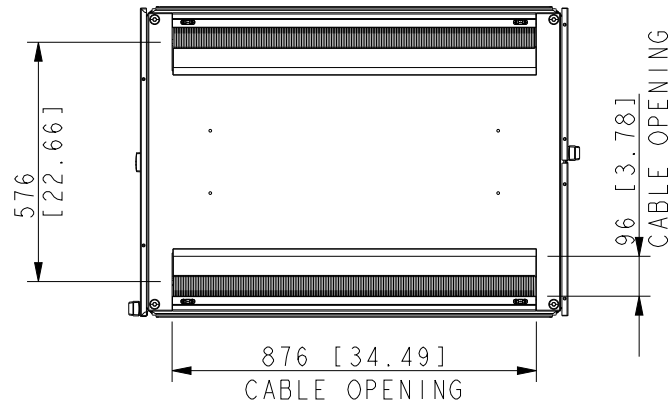


Rittal Specification Sheet



Part Number:	9982213
Revision:	A
Description:	TS IT Pro 48Ux750Wx1070D RAL9005 BLACK WITHOUT SIDES
Rack Weight: (Unpackaged)	134.5Kg (296lbs)



TS IT Pro Rack	
SPECIFICATION FOR: TS IT Pro 48U0750W1070D RAL9005 Without SIDES	
9982213	
RITTAL-CSM, UK.	

ALL DIMENSIONS ARE REFERENCE ONLY.

ENCLOSURES

POWER DISTRIBUTION

CLIMATE CONTROL

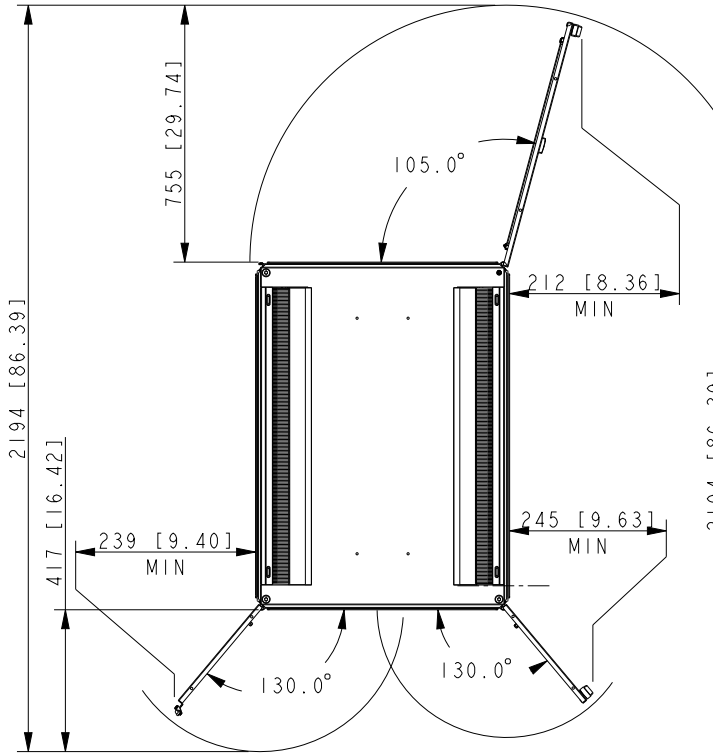
IT INFRASTRUCTURE

SOFTWARE & SERVICES

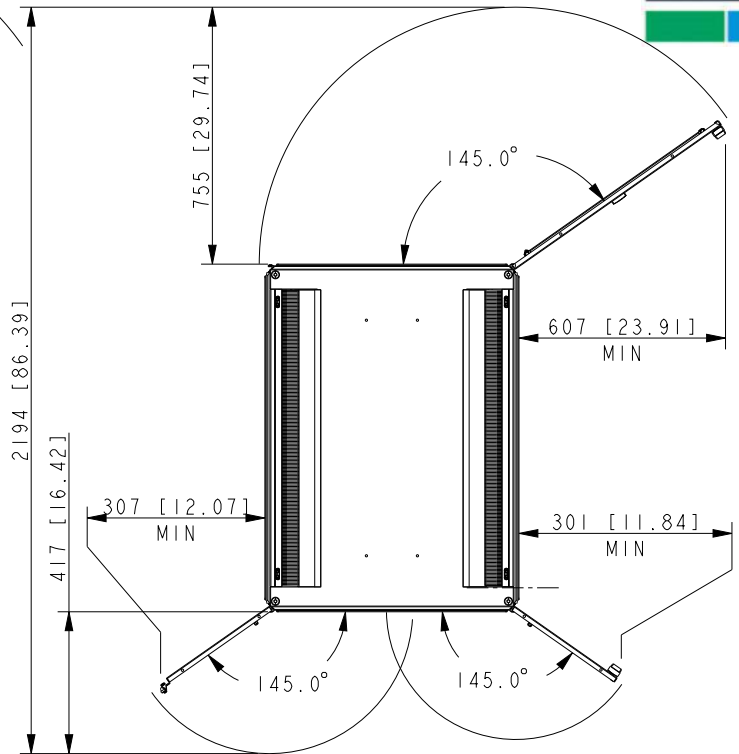


Rittal Specification Sheet

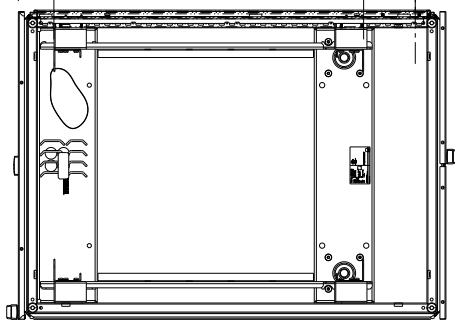
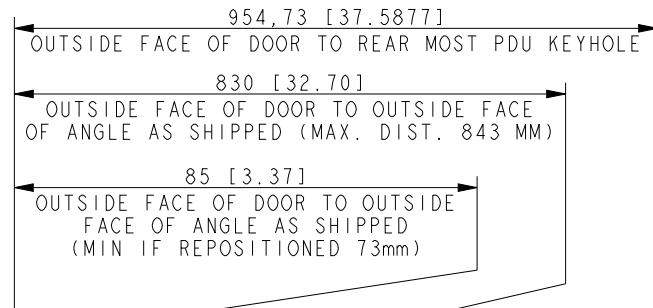
Door opening details



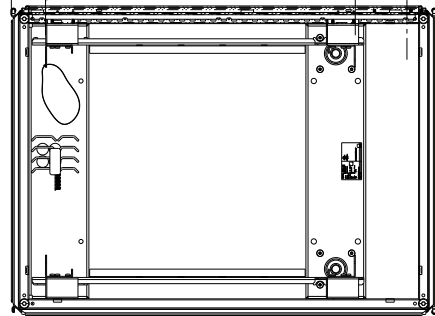
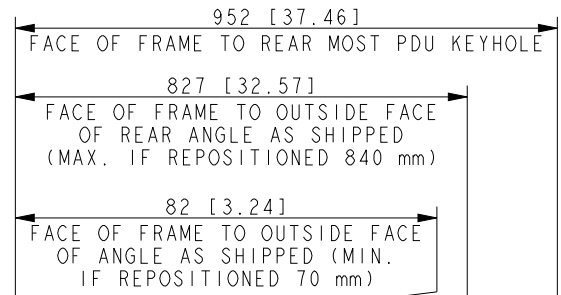
Doors maximum opening angles when bayed showing minimum required space for opening doors



Doors maximum opening angles when not bayed showing minimum required space for opening doors



EIA rail details



TS IT Pro Rack	
SPECIFICATION FOR: TS IT Pro 48U0750W1070D RAL9005 Without SIDES	
9982213	
RITTAL-CSM, UK.	

ALL DIMENSIONS ARE REFERENCE ONLY.

ENCLOSURES

POWER DISTRIBUTION

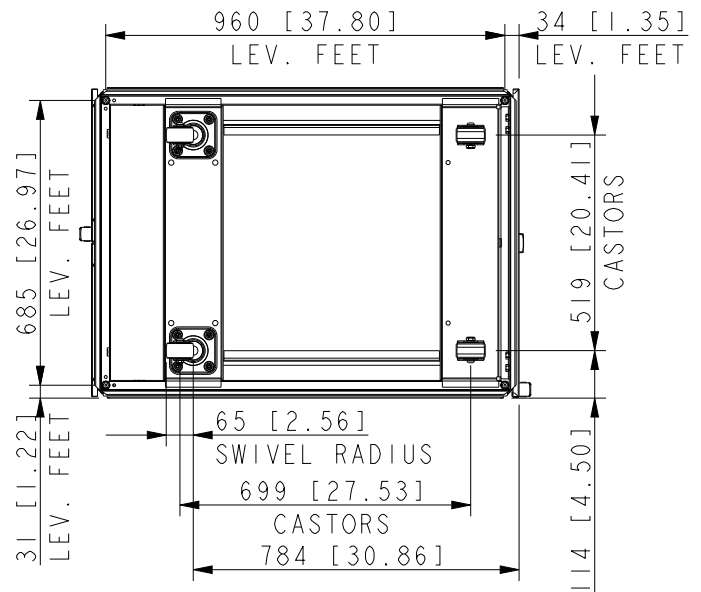
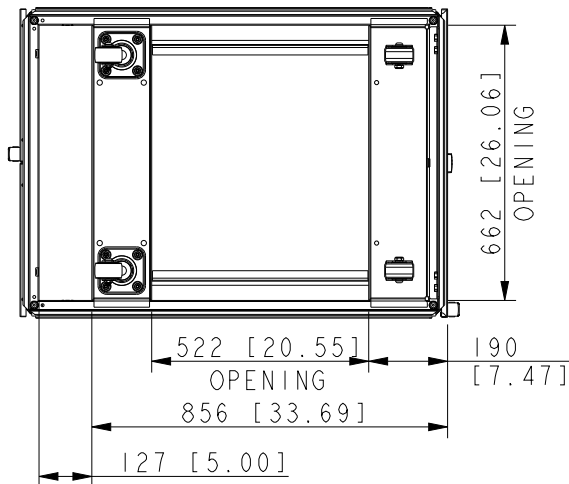
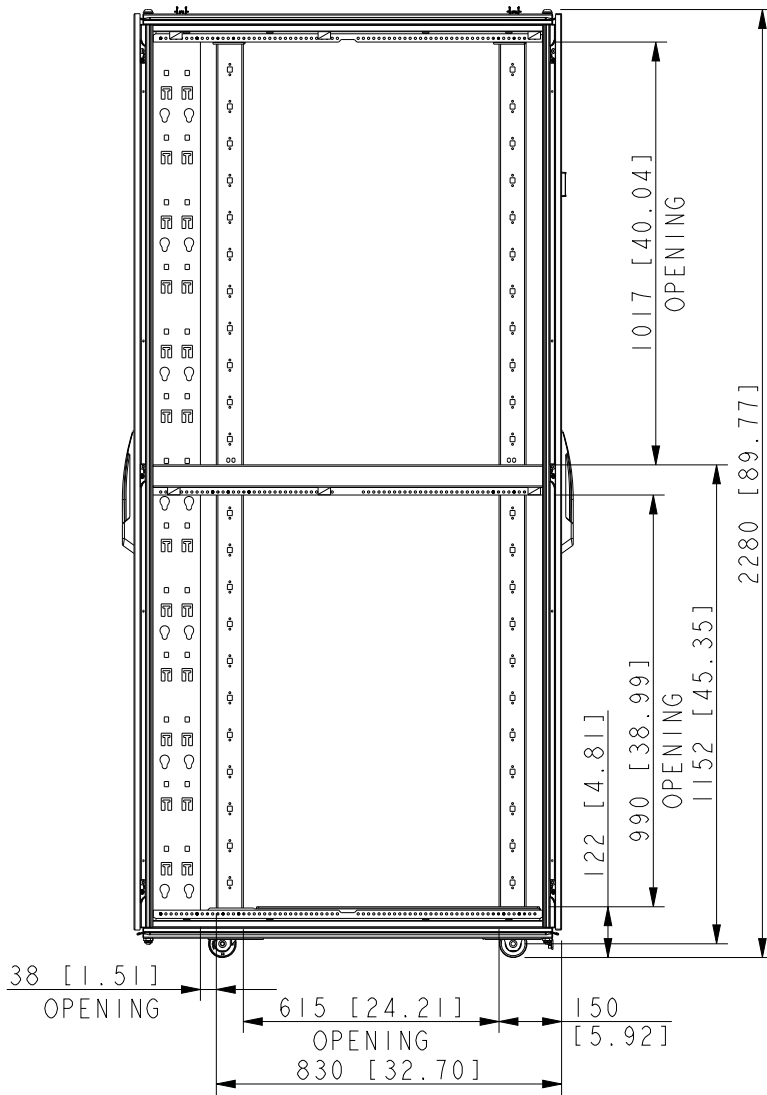
CLIMATE CONTROL

IT INFRASTRUCTURE

SOFTWARE & SERVICES



Rittal Specification Sheet



TS IT Pro Rack	
SPECIFICATION FOR: TS IT Pro 48U0750W1070D RAL9005 Without SIDES	
9982213	
RITTAL-CSM, UK.	

VIEW FROM BOTTOM SHOWING
CASTORS AND OPENINGS

ALL DIMENSIONS ARE REFERENCE ONLY.

ENCLOSURES

POWER DISTRIBUTION

CLIMATE CONTROL

IT INFRASTRUCTURE

SOFTWARE & SERVICES



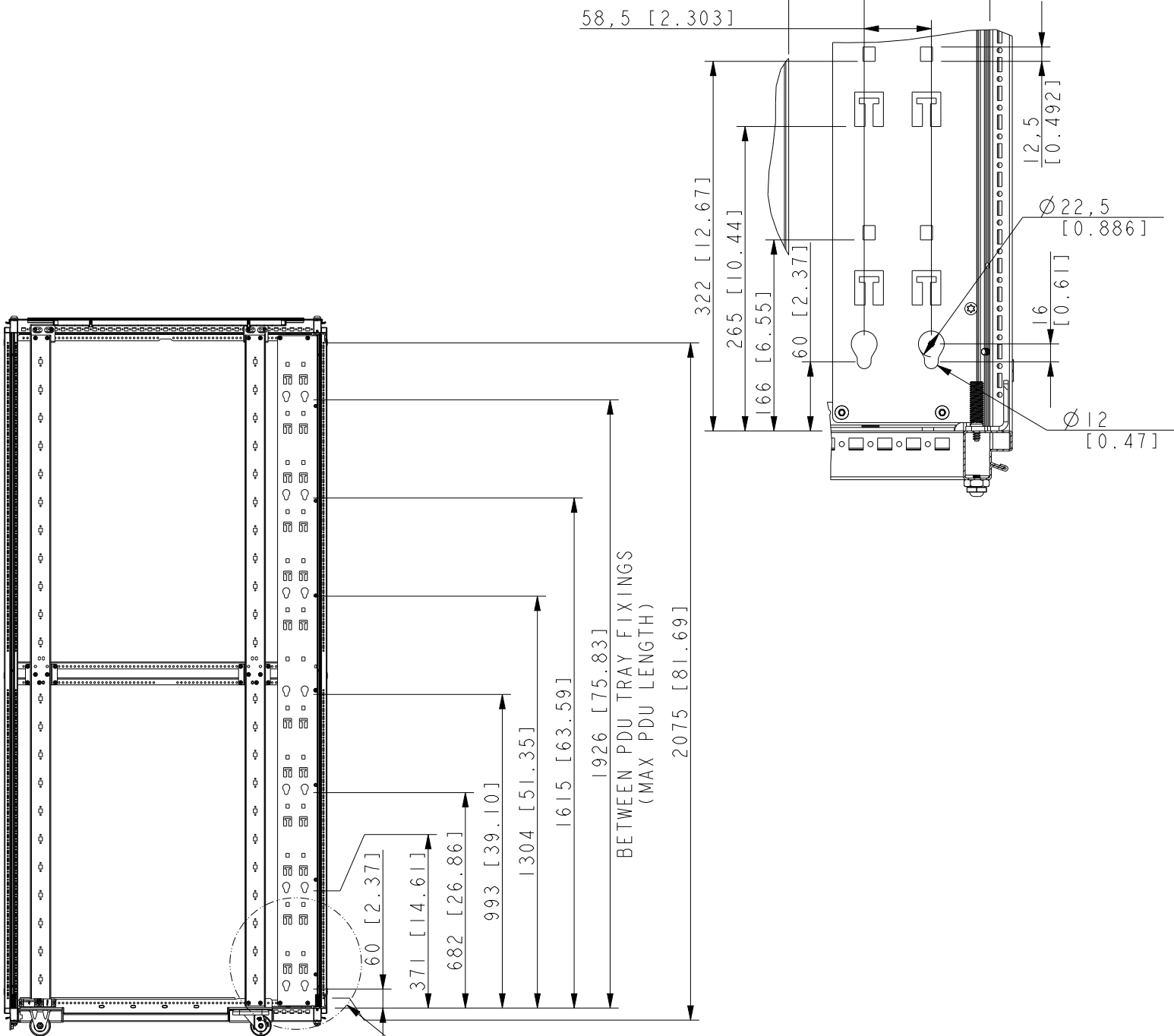
Rittal Specification Sheet



PDU details

175 [6.90] (x2)
 MAX SPACE FROM FROM
 INSIDE FACE OF REAR VERTICAL
 PROFILE TO FACE OF EIA RAIL.

110 [4.31]
 PDU KEYHOLE TO
 REAR VERTICAL MEMBER
 58,5 [2.303]



TS IT Pro Rack	
SPECIFICATION FOR: TS IT Pro 48U0750W1070D RAL9005 Without SIDES	
9982213	
RITTAL-CSM, UK.	

SEE DETAIL B

ALL DIMENSIONS ARE REFERENCE ONLY.

ENCLOSURES

POWER DISTRIBUTION

CLIMATE CONTROL

IT INFRASTRUCTURE

SOFTWARE & SERVICES

