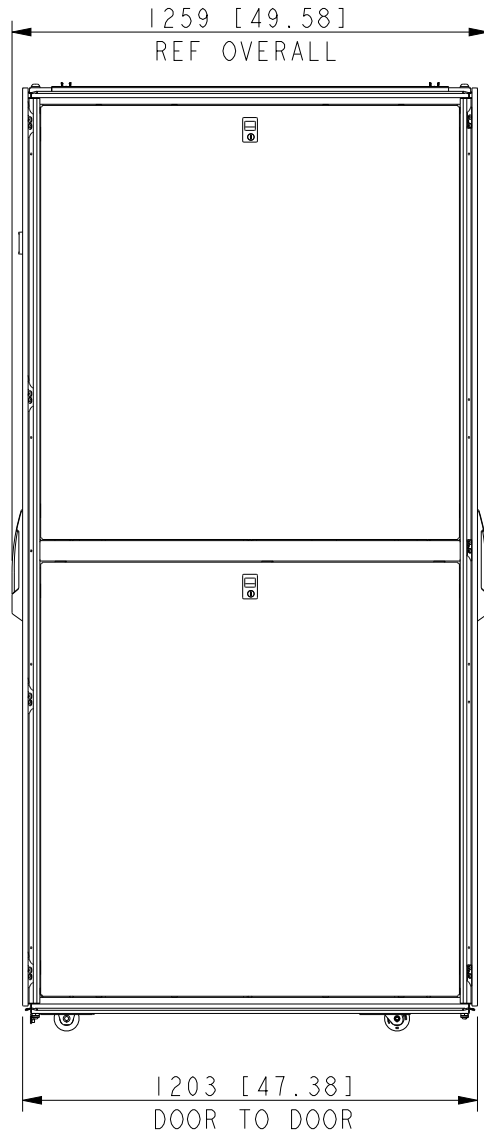
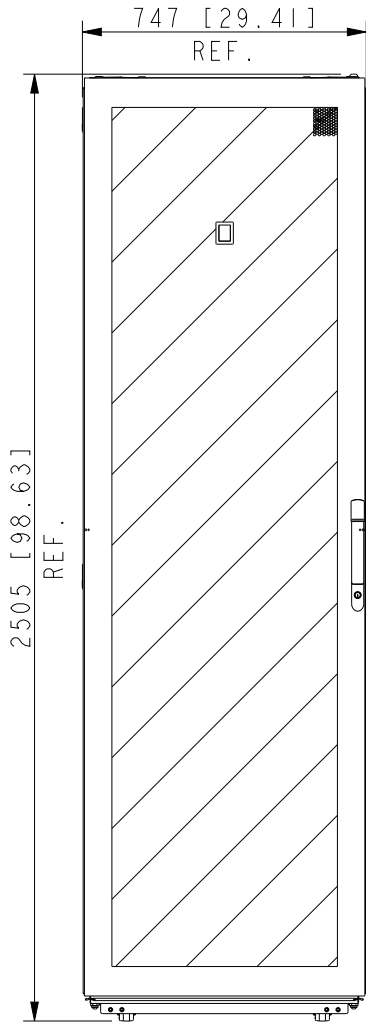
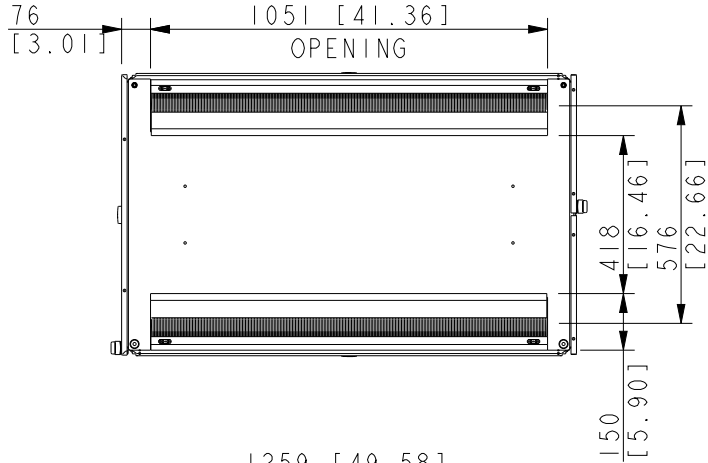


# Rittal Specification Sheet



Part Number:	9982221
Revision:	A
Description:	TS IT Pro 53Ux750Wx1200D WITH SIDES
Rack Weight: (Unpackaged)	182.18kg 401.6(lbs)



TS IT Pro Rack	
SPECIFICATION FOR: TS IT Pro 53Ux750Wx1200D RAL9005 W SIDES	
9982221	
RITTAL	

ALL DIMENSIONS ARE REFERENCE ONLY.

ENCLOSURES

POWER DISTRIBUTION

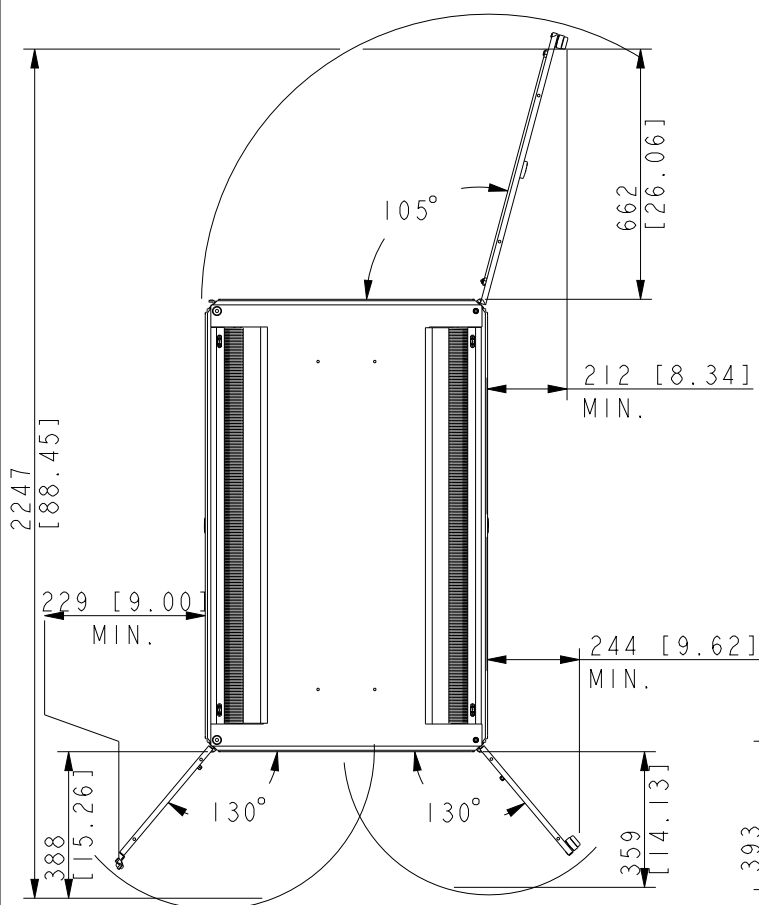
CLIMATE CONTROL

IT INFRASTRUCTURE

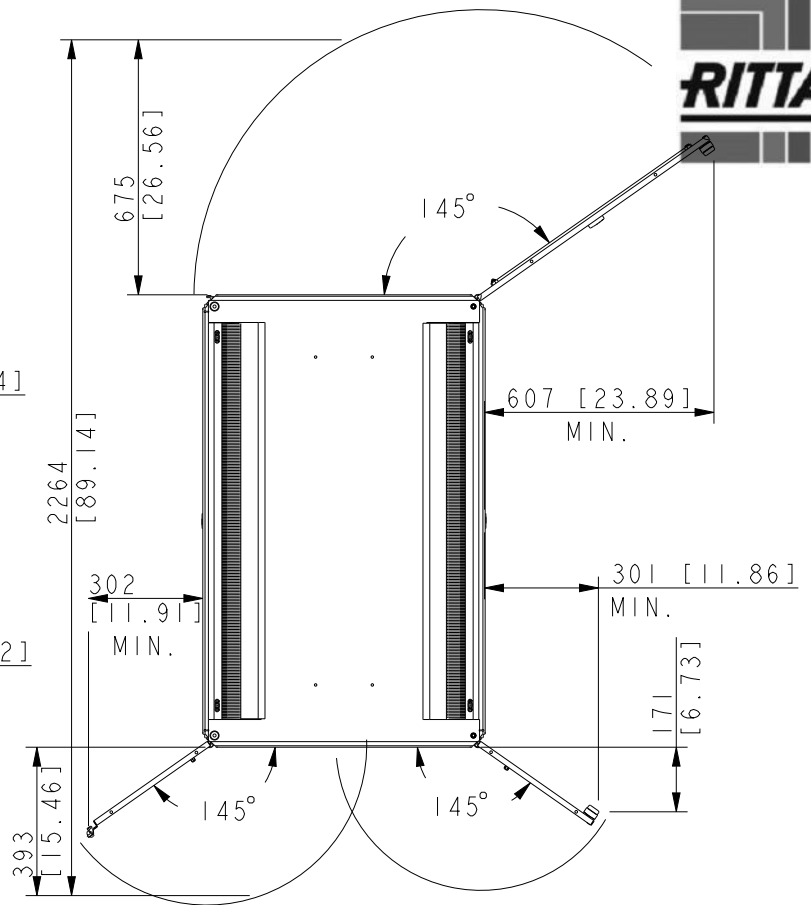
SOFTWARE & SERVICES



# Rittal Specification Sheet

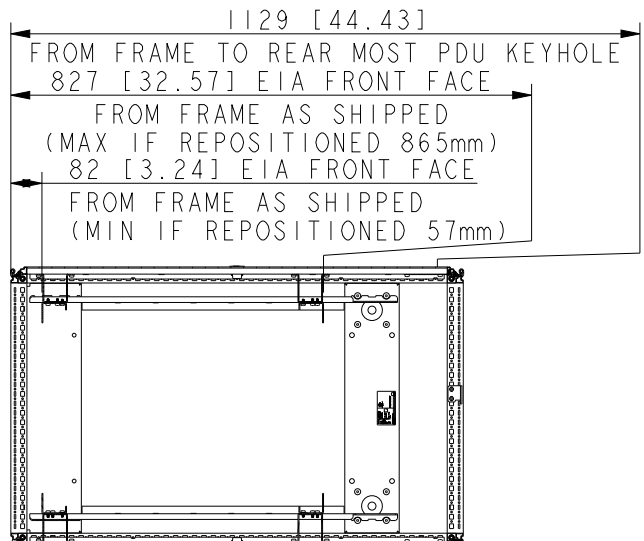
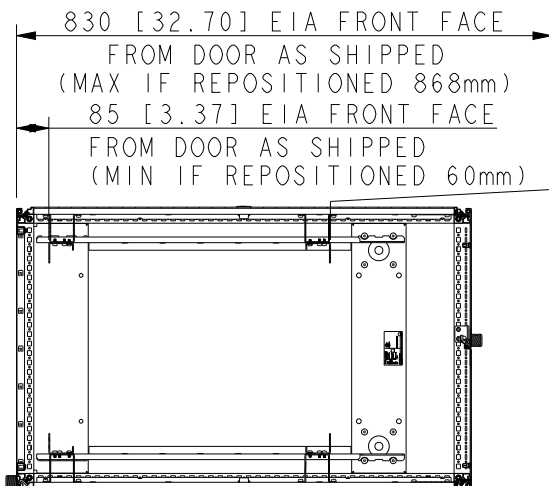


Doors maximum opening angles when bayed showing minimum required space for opening doors



Doors maximum opening angles when not bayed showing minimum required space for opening doors

## EIA RAIL DETAILS



TS IT Pro Rack	
SPECIFICATION FOR: TS IT Pro 53Ux750Wx1200D RAL9005 W SIDES	
9982221	
RITTAL	

ALL DIMENSIONS ARE REFERENCE ONLY.

ENCLOSURES

POWER DISTRIBUTION

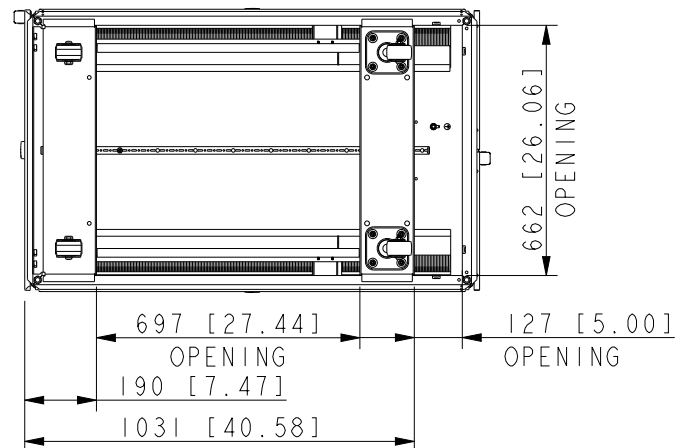
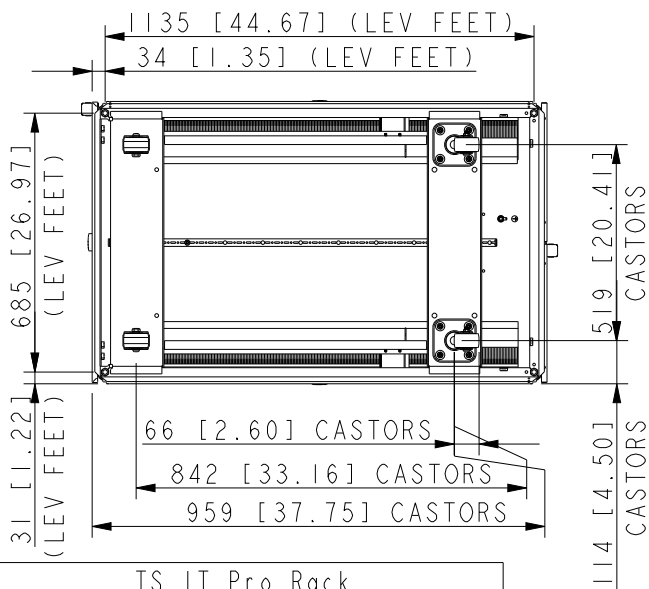
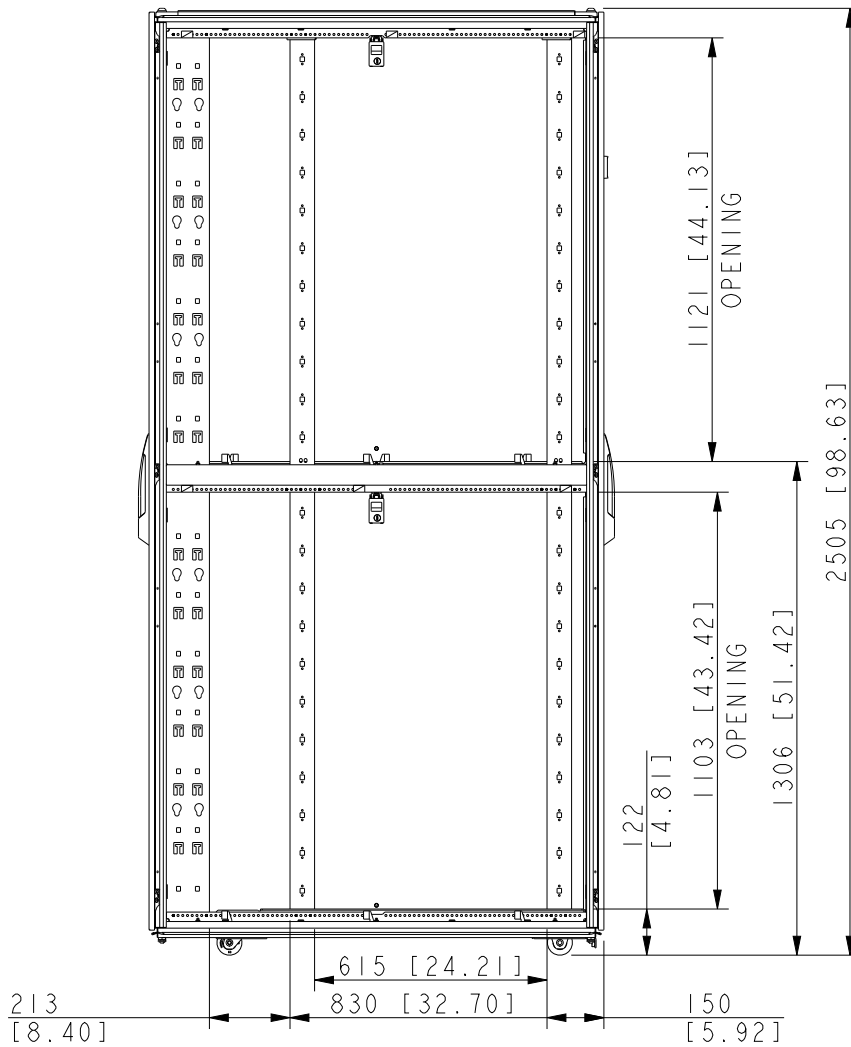
CLIMATE CONTROL

IT INFRASTRUCTURE

SOFTWARE & SERVICES



# Rittal Specification Sheet



TS IT Pro Rack	
SPECIFICATION FOR: TS IT Pro 53Ux750Wx1200D RAL9005 W SIDES	
9982221	
RITTAL	

VIEWS FROM BOTTOM SHOWING CASTORS AND OPENINGS

ALL DIMENSIONS ARE REFERENCE ONLY.

ENCLOSURES

POWER DISTRIBUTION

CLIMATE CONTROL

IT INFRASTRUCTURE

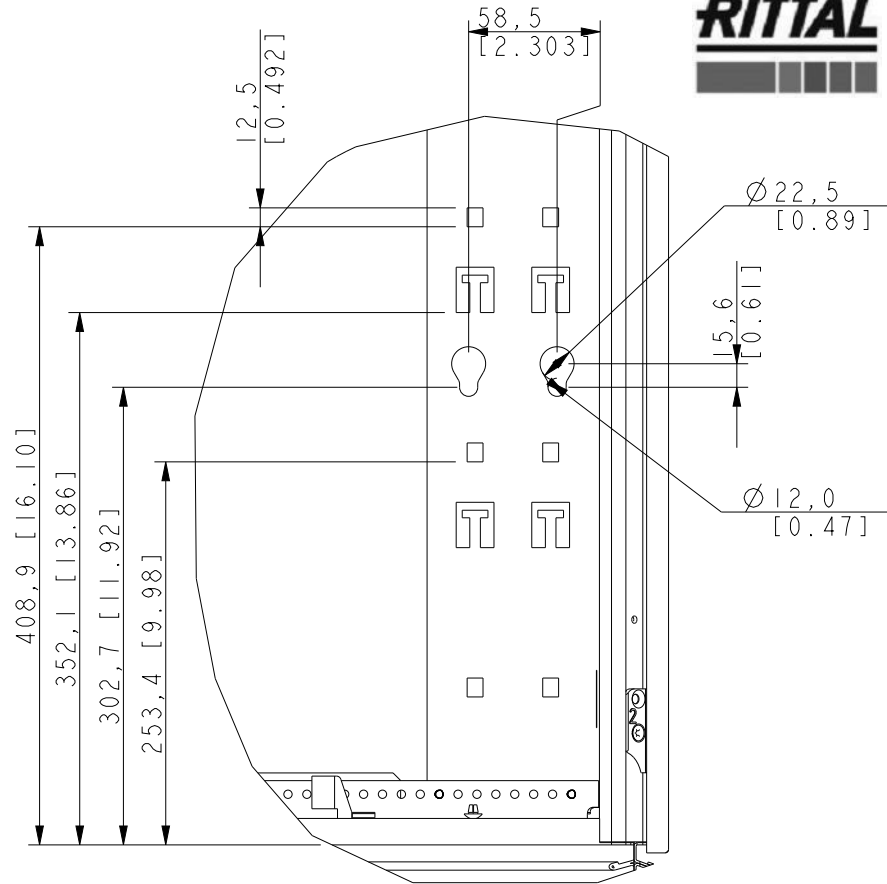
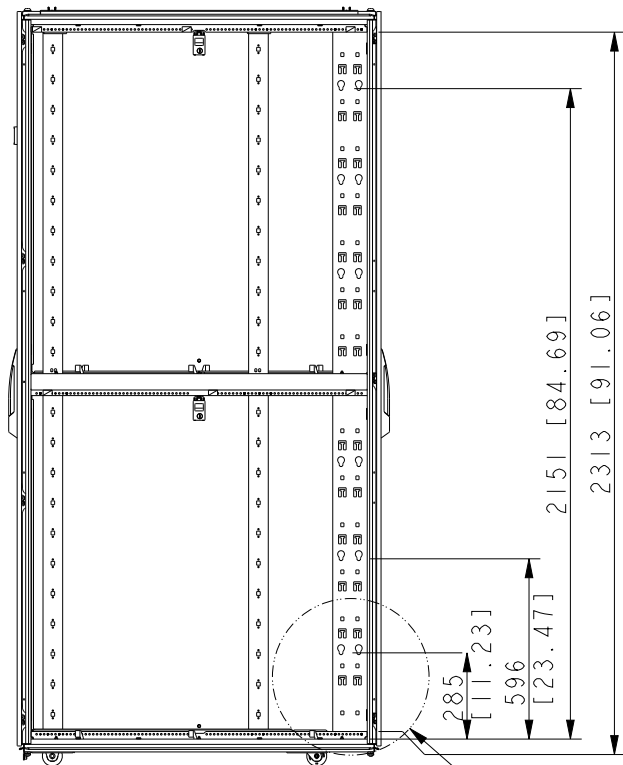
SOFTWARE & SERVICES



# Rittal Specification Sheet



## PDU DETAILS



SEE DETAIL A

TS IT Pro Rack	
SPECIFICATION FOR: TS IT Pro 53Ux750Wx1200D RAL9005 W SIDES	
9982221	
RITTAL	

ALL DIMENSIONS ARE REFERENCE ONLY.

ENCLOSURES

POWER DISTRIBUTION

CLIMATE CONTROL

IT INFRASTRUCTURE

SOFTWARE & SERVICES

