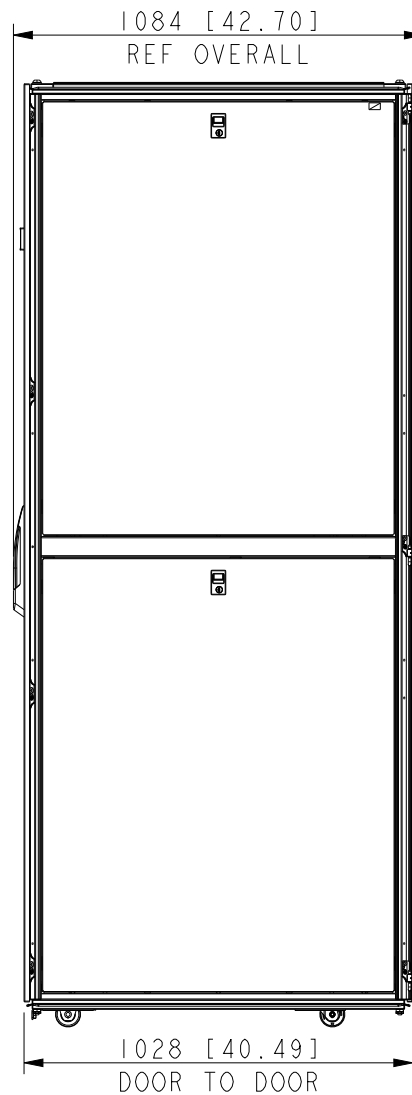
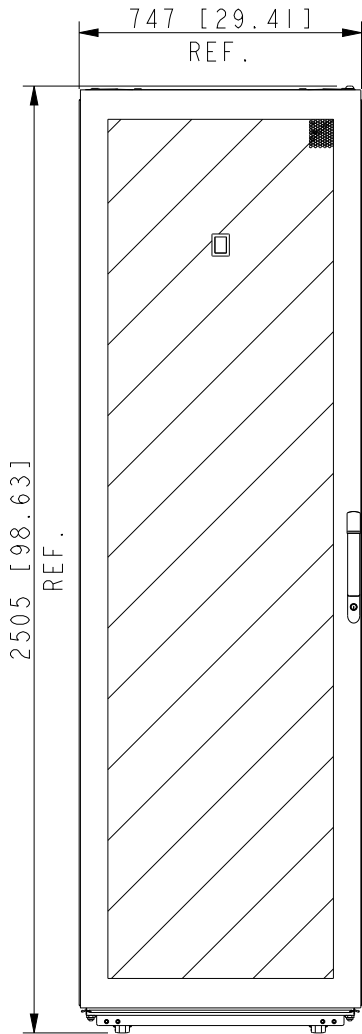
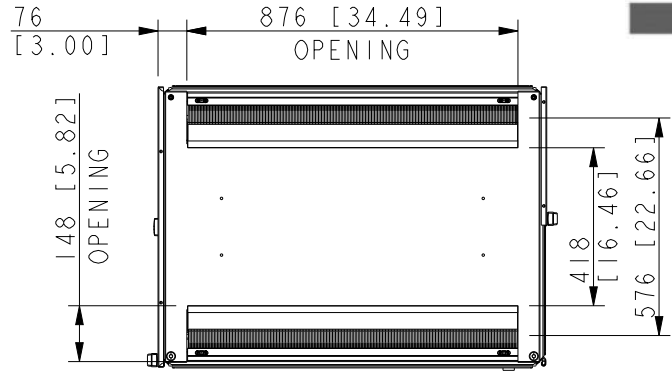


Rittal Specification Sheet



Part Number:	9982219
Revision:	A
Description:	TS IT Pro 53Ux750Wx1070D WITH SIDES
Rack Weight: (Unpackaged)	175.8kg 387.6(lbs)



TS IT Pro Rack	
SPECIFICATION FOR: TS IT Pro 53Ux750Wx1070D RAL9005 W SIDES	
9982219	
RITTAL	

ALL DIMENSIONS ARE REFERENCE ONLY.

ENCLOSURES

POWER DISTRIBUTION

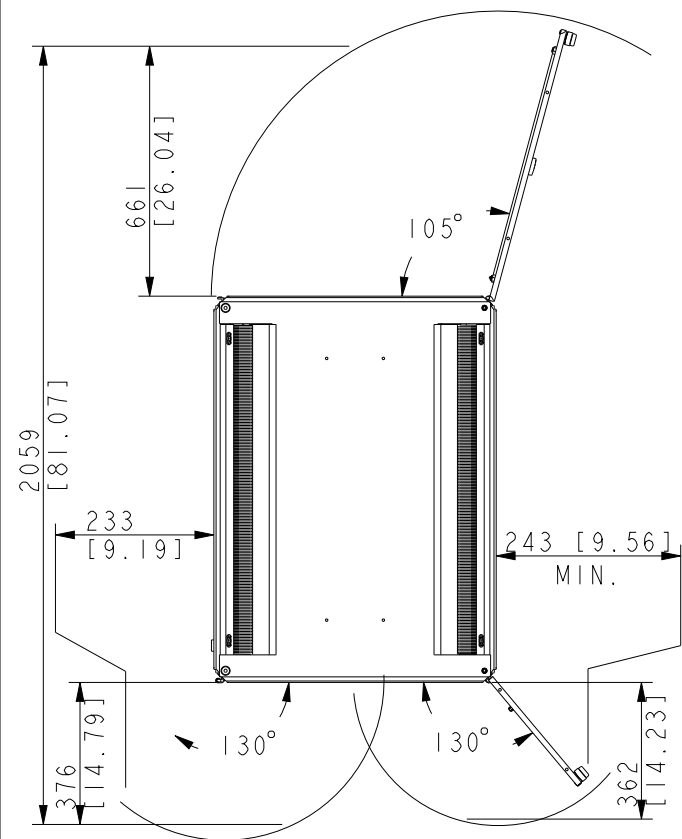
CLIMATE CONTROL

IT INFRASTRUCTURE

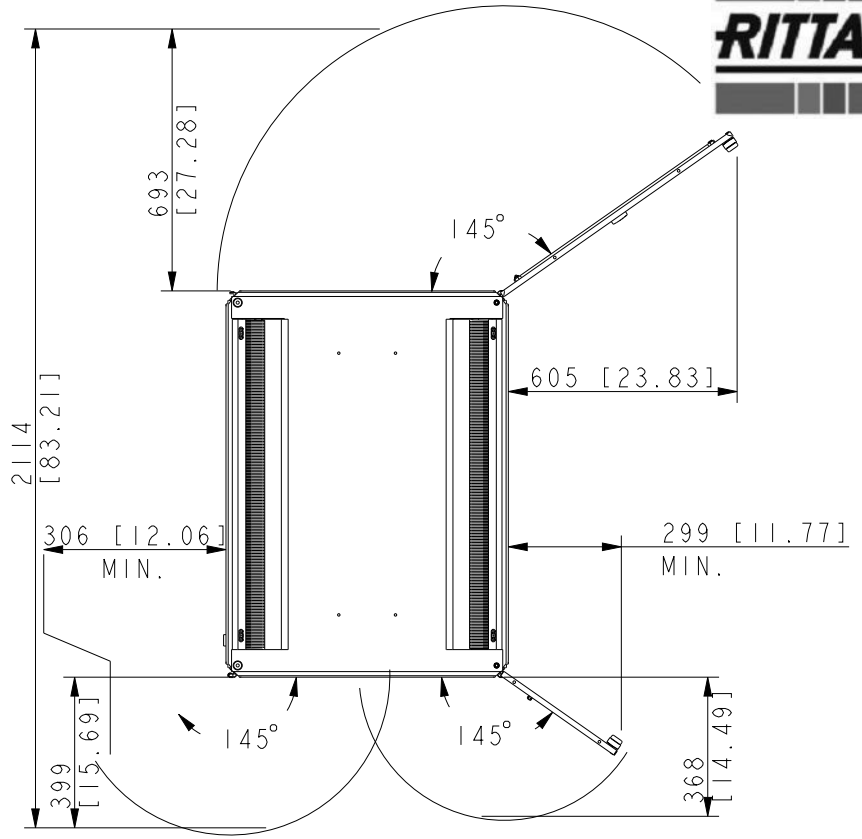
SOFTWARE & SERVICES



Rittal Specification Sheet

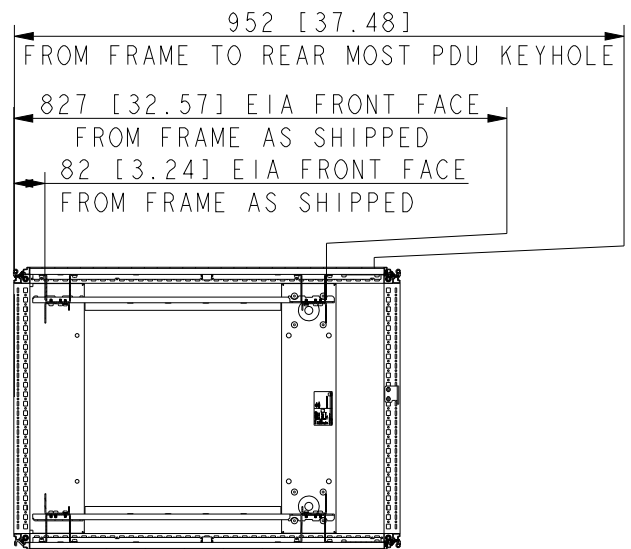
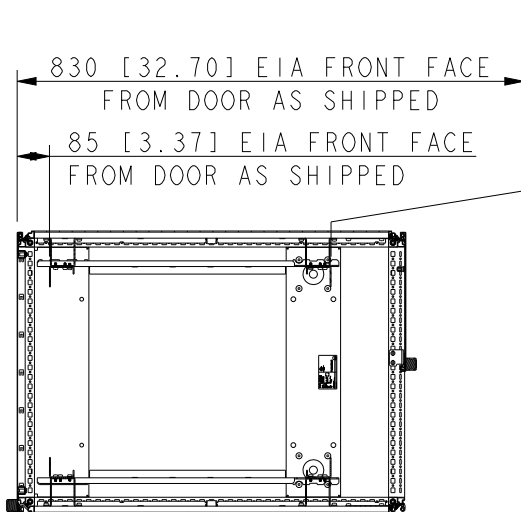


Doors maximum opening angles when bayed showing minimum required space for opening doors



Doors maximum opening angles when not bayed showing minimum required space for opening doors

EIA RAIL DETAILS



TS IT Pro Rack	
SPECIFICATION FOR: TS IT Pro 53Ux750Wx1070D RAL9005 W SIDES	
9982219	
RITTAL	

ALL DIMENSIONS ARE REFERENCE ONLY.

ENCLOSURES

POWER DISTRIBUTION

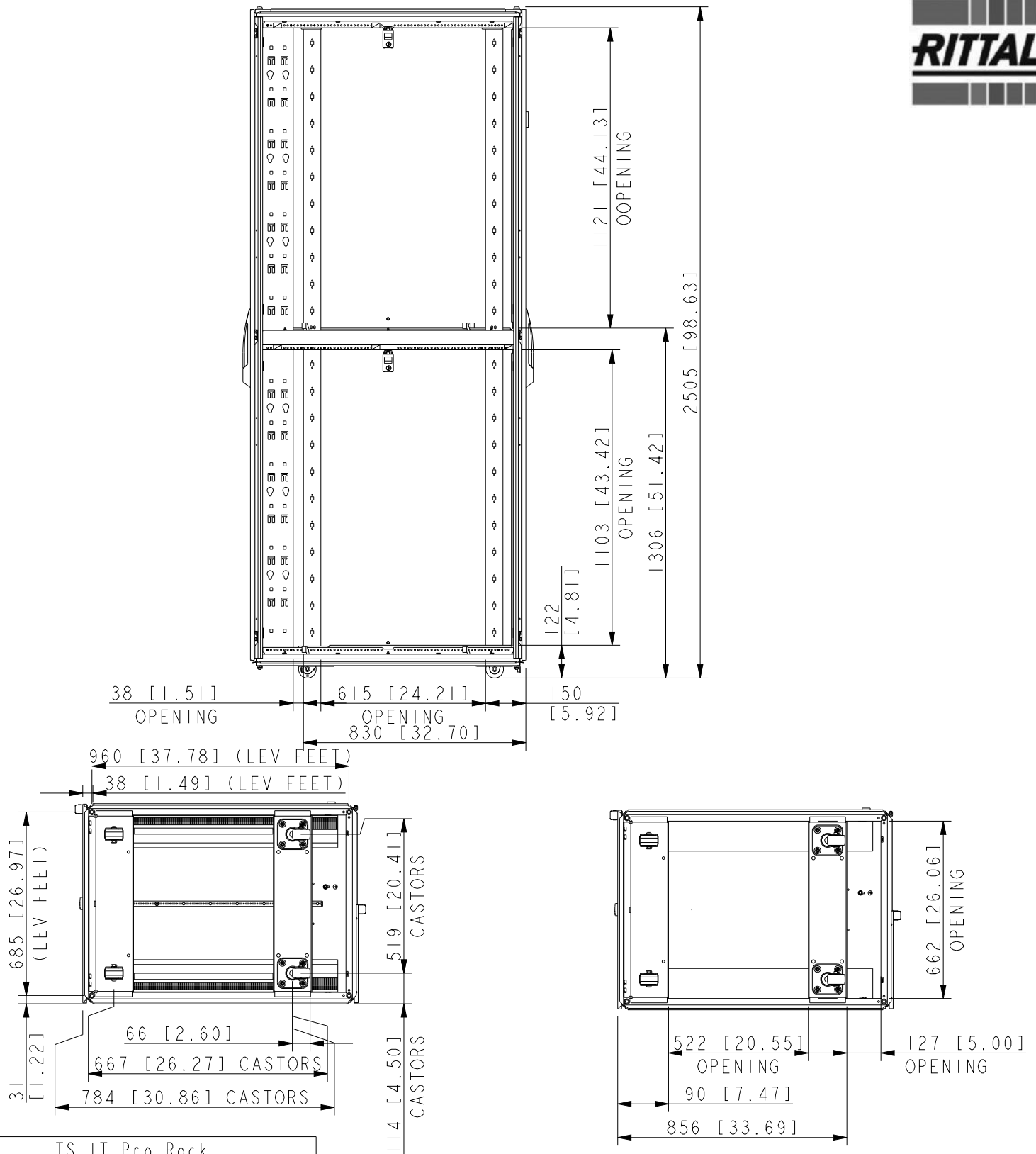
CLIMATE CONTROL

IT INFRASTRUCTURE

SOFTWARE & SERVICES



Rittal Specification Sheet



VIEWS FROM BOTTOM SHOWING CASTORS AND OPENINGS

TS IT Pro Rack	
SPECIFICATION FOR: TS IT Pro 53Ux750Wx1070D RAL9005 W SIDES	
9982219	
RITTAL	

ALL DIMENSIONS ARE REFERENCE ONLY.

ENCLOSURES

POWER DISTRIBUTION

CLIMATE CONTROL

IT INFRASTRUCTURE

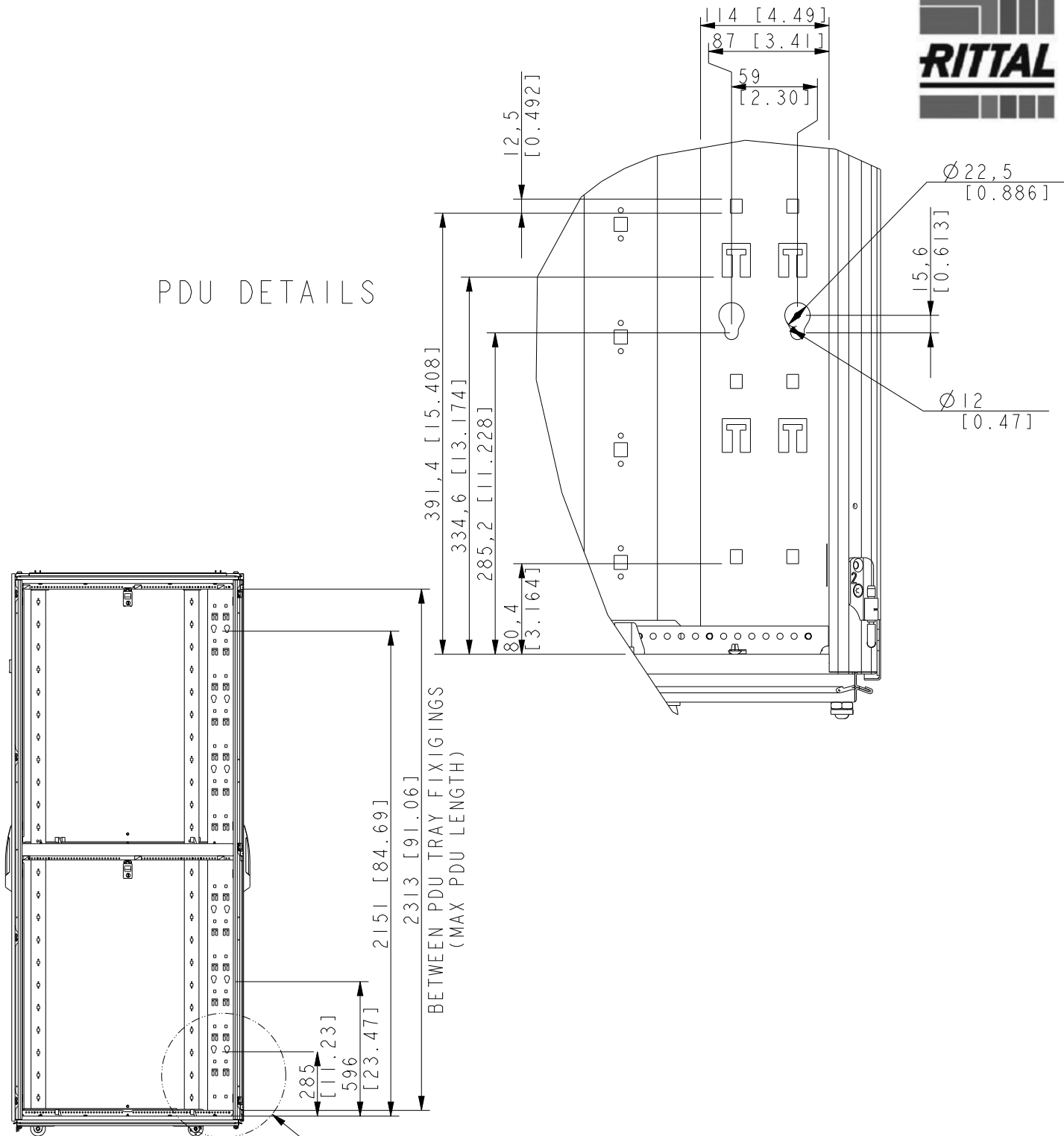
SOFTWARE & SERVICES



Rittal Specification Sheet



PDU DETAILS



SEE DETAIL A

TS IT Pro Rack	
SPECIFICATION FOR: TS IT Pro 53Ux750Wx1070D RAL9005 W SIDES	
9982219	
RITTAL	

ALL DIMENSIONS ARE REFERENCE ONLY.

ENCLOSURES

POWER DISTRIBUTION

CLIMATE CONTROL

IT INFRASTRUCTURE

SOFTWARE & SERVICES

