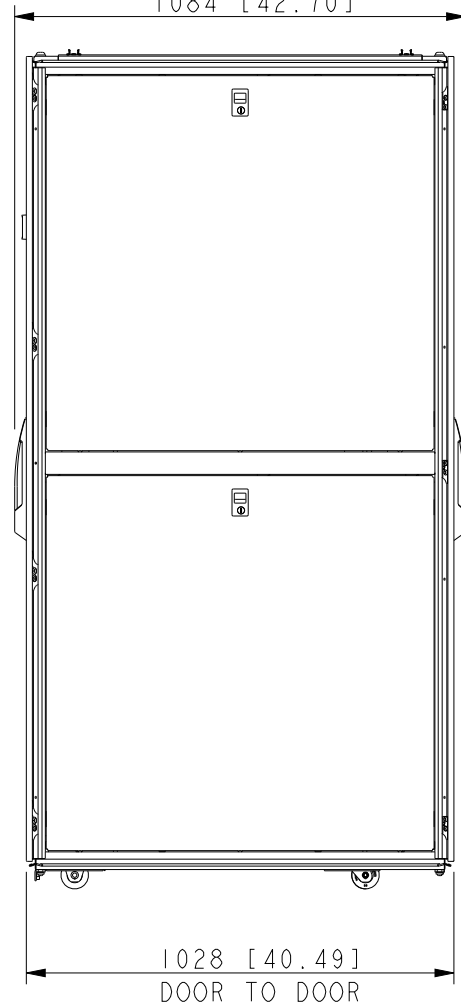
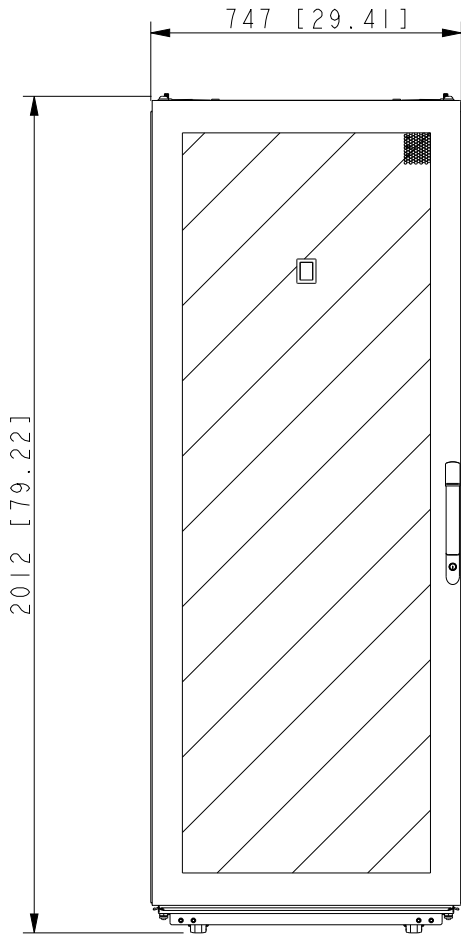
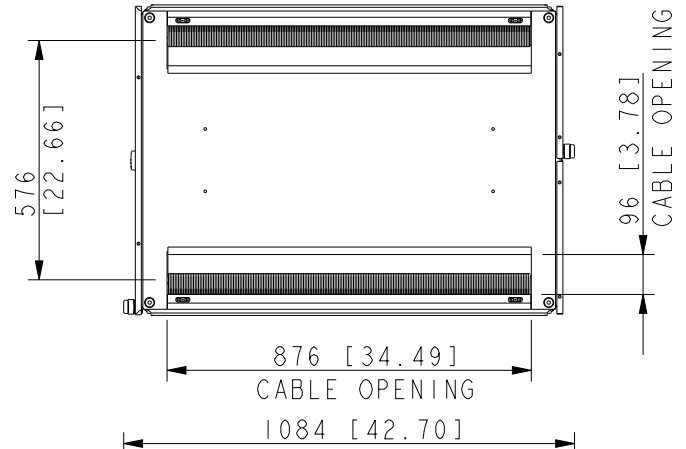


Rittal Specification Sheet



Part Number:	9982227
Revision:	A
Description:	TS IT Pro 42Ux750Wx1070D RAL9005 BLACK WITH SIDES
Rack Weight: (Unpackaged)	142Kg (313lbs)



TS IT Pro Rack	
SPECIFICATION FOR: TS IT Pro 42U0750W1070D RAL9005 W SIDES	
9982227	
RITTAL	

ALL DIMENSIONS ARE REFERENCE ONLY.

ENCLOSURES

POWER DISTRIBUTION

CLIMATE CONTROL

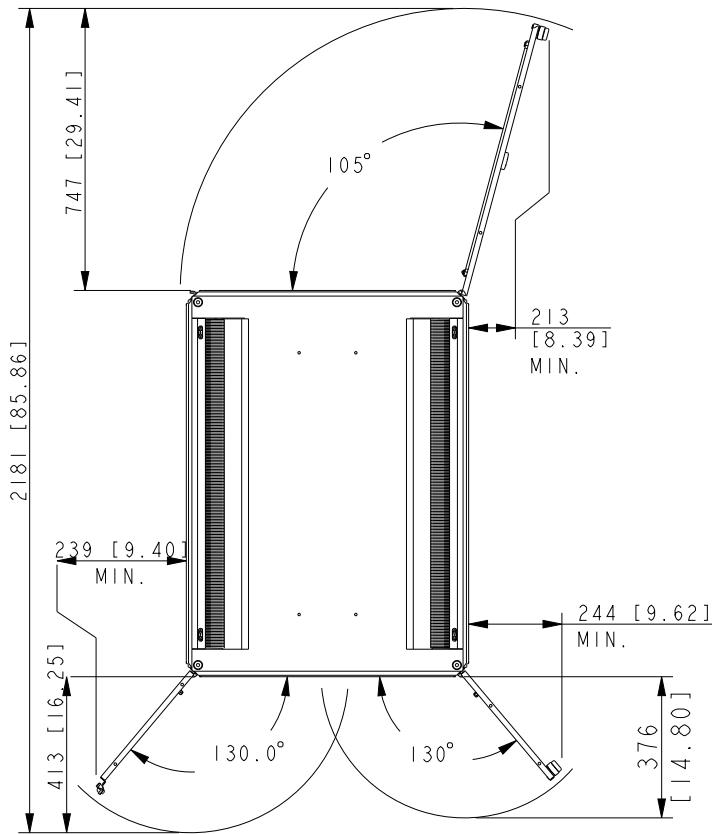
IT INFRASTRUCTURE

SOFTWARE & SERVICES

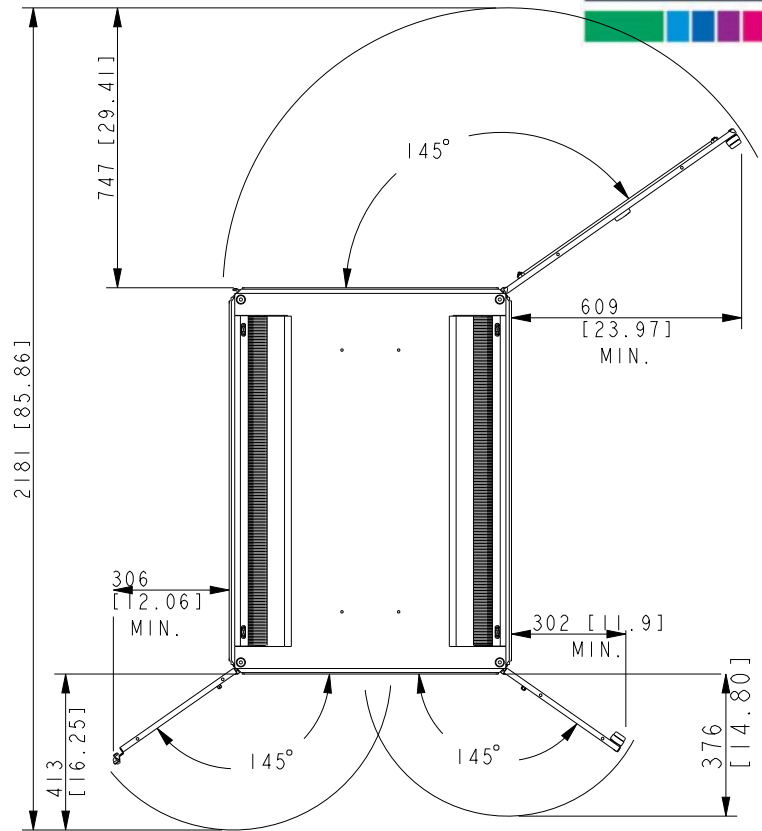


Rittal Specification Sheet

Door opening details

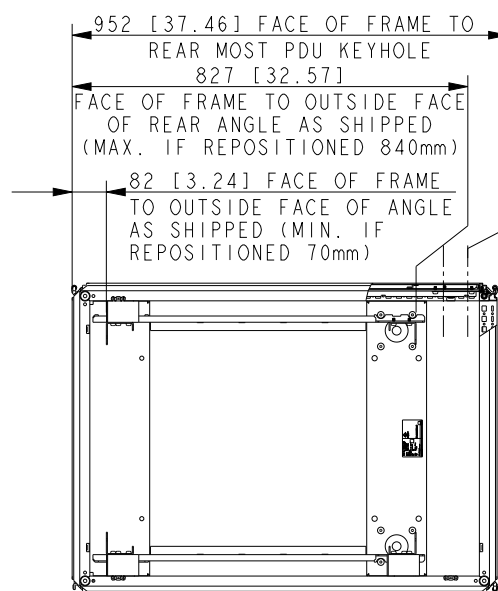
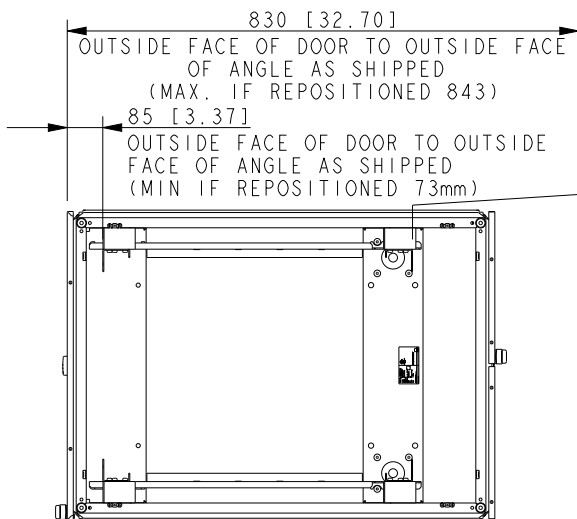


Doors maximum opening angles when bayed showing minimum required space for opening doors



Doors maximum opening angles when not bayed showing minimum required space for opening doors

EIA rail details



TS IT Pro Rack	
SPECIFICATION FOR: TS IT Pro 42U0750W1070D RAL9005 W SIDES	
9982227	
RITTAL	

ALL DIMENSIONS ARE REFERENCE ONLY.

ENCLOSURES

POWER DISTRIBUTION

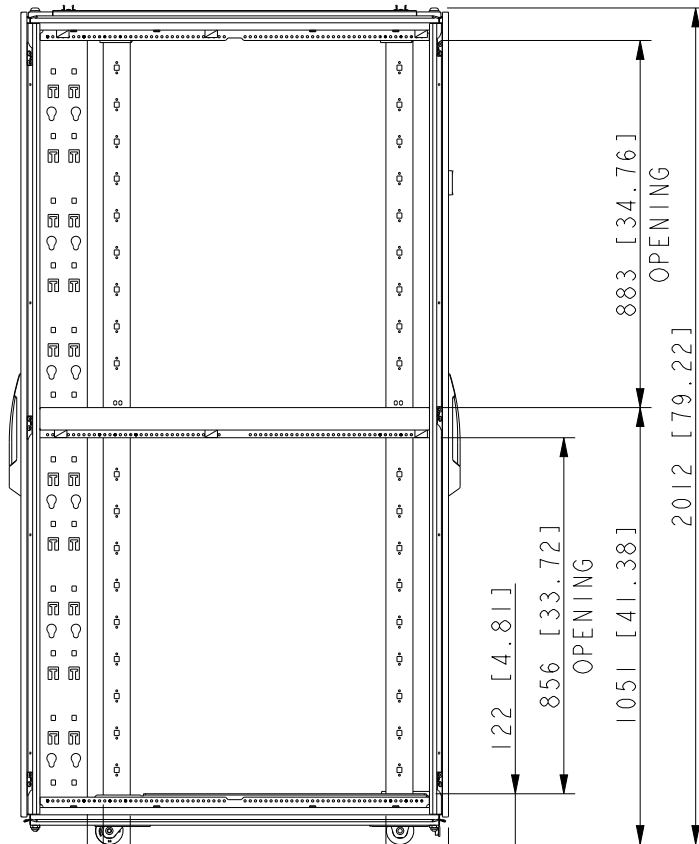
CLIMATE CONTROL

IT INFRASTRUCTURE

SOFTWARE & SERVICES



Rittal Specification Sheet

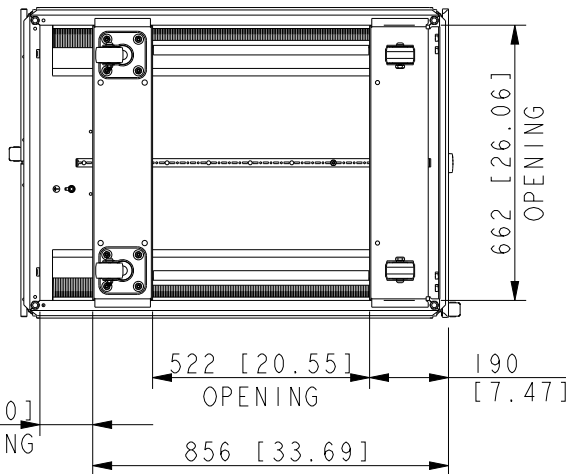


38 [1.51]
OPENING

615 [24.21]
OPENING
830 [32.70]

150 [5.92]

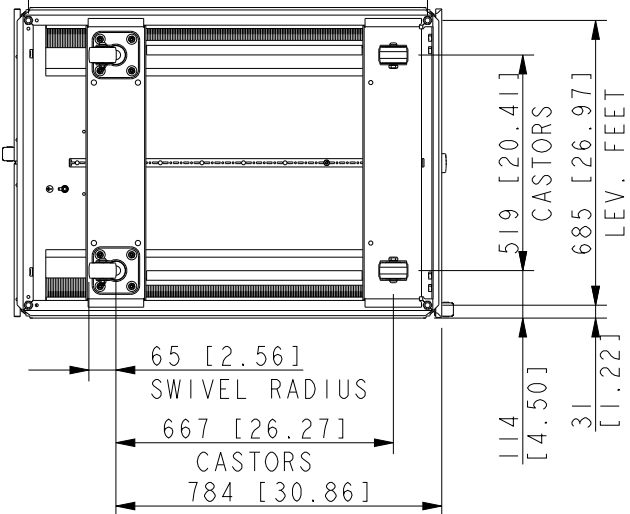
960 [37.79]
LEVELLERS
34 [1.35]



127 [5.00]
OPENING

522 [20.55]
OPENING
856 [33.69]

190 [7.47]



65 [2.56]
SWIVEL RADIUS

667 [26.27]
CASTORS

784 [30.86]

519 [20.41]
CASTORS
685 [26.97]
LEV. FEET

114 [4.50]
31 [1.22]

TS IT Pro Rack	
SPECIFICATION FOR: TS IT Pro 42U0750W1070D RAL9005 W SIDES	
9982227	
RITTAL	

VIEW FROM BOTTOM SHOWING
CASTORS AND OPENINGS

ALL DIMENSIONS ARE REFERENCE ONLY.

ENCLOSURES

POWER DISTRIBUTION

CLIMATE CONTROL

IT INFRASTRUCTURE

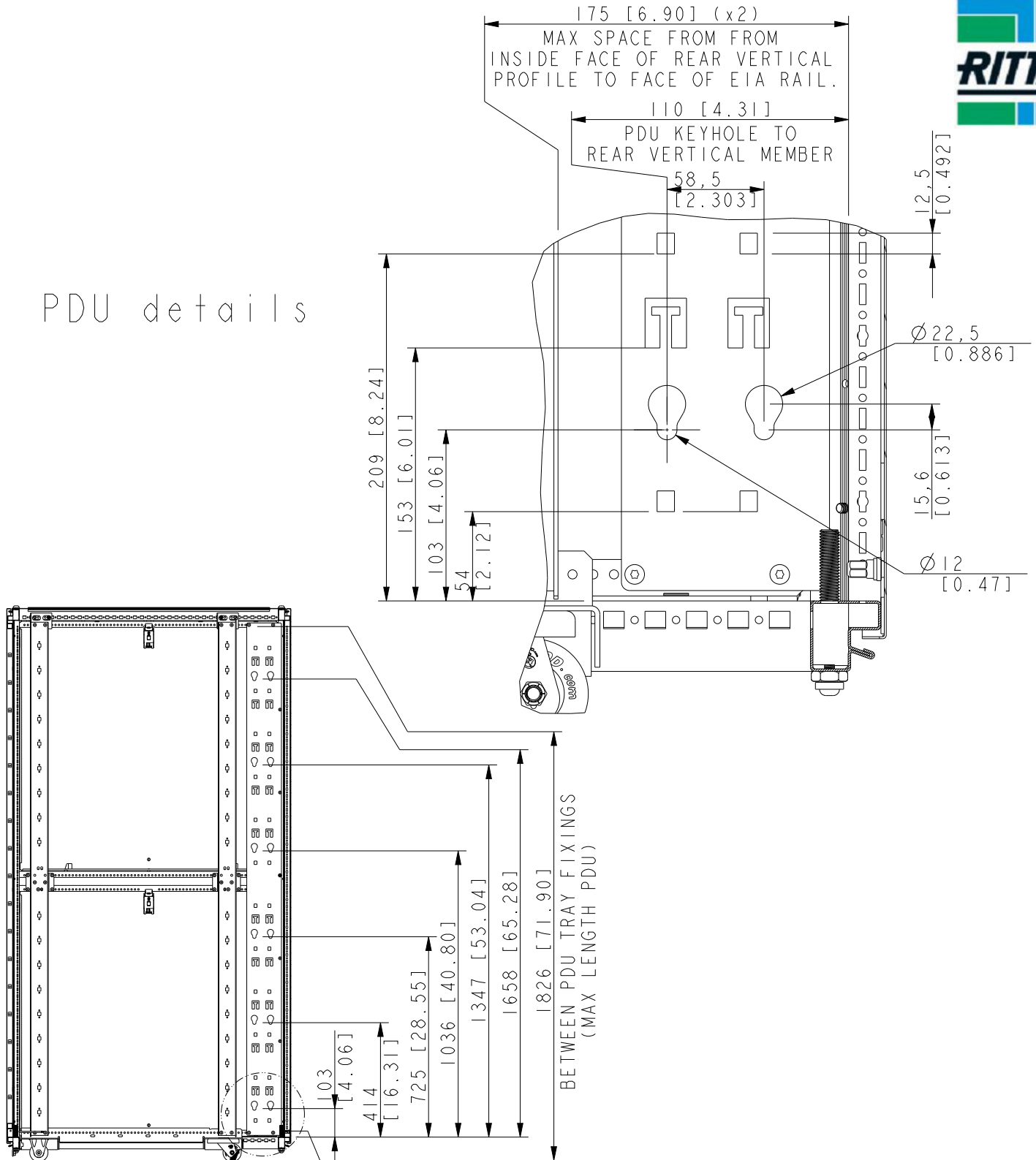
SOFTWARE & SERVICES



Rittal Specification Sheet



PDU details



SEE DETAIL B

TS IT Pro Rack	
SPECIFICATION FOR: TS IT Pro 42U0750W1070D RAL9005 W SIDES	
9982227	
RITTAL	

ALL DIMENSIONS ARE REFERENCE ONLY.

ENCLOSURES

POWER DISTRIBUTION

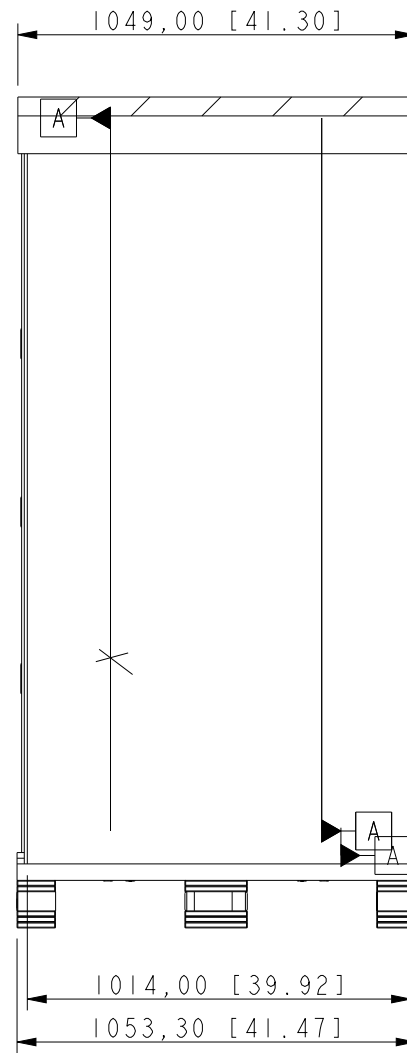
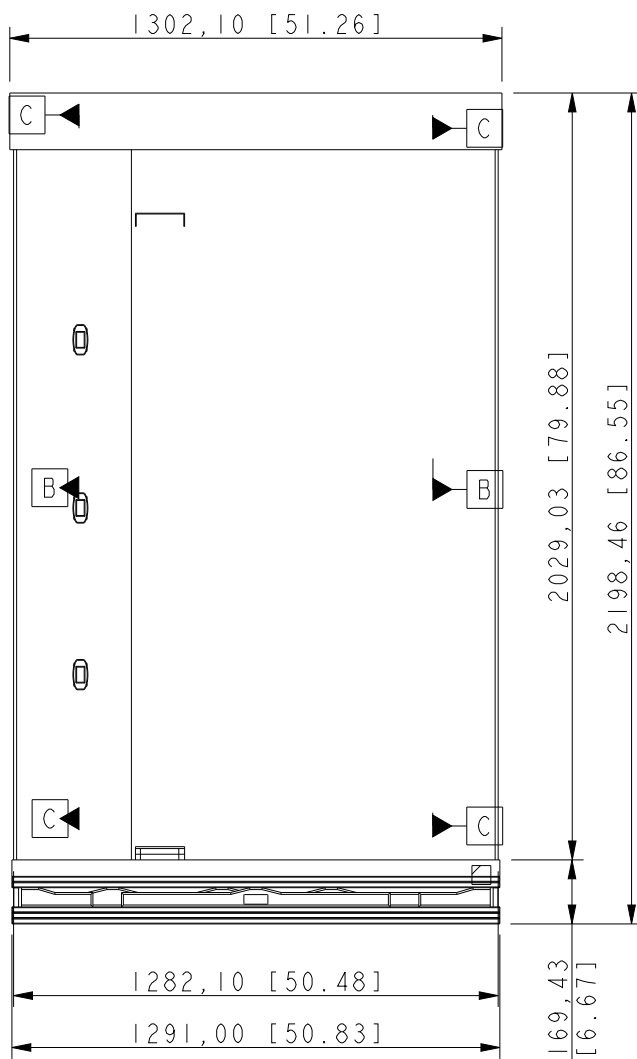
CLIMATE CONTROL

IT INFRASTRUCTURE

SOFTWARE & SERVICES



Part Number:	9982227
Revision:	A
Description:	TS IT Pro 42Ux750Wx1070D WITH SIDES SHIP LOADABLE PACKAGING
Rack Weight: (packaged)	229kg(505lbs)



TS IT Pro Rack	
SPECIFICATION FOR: TS IT Pro 42U600W1070D W SIDES	
9982227	
RITTAL	