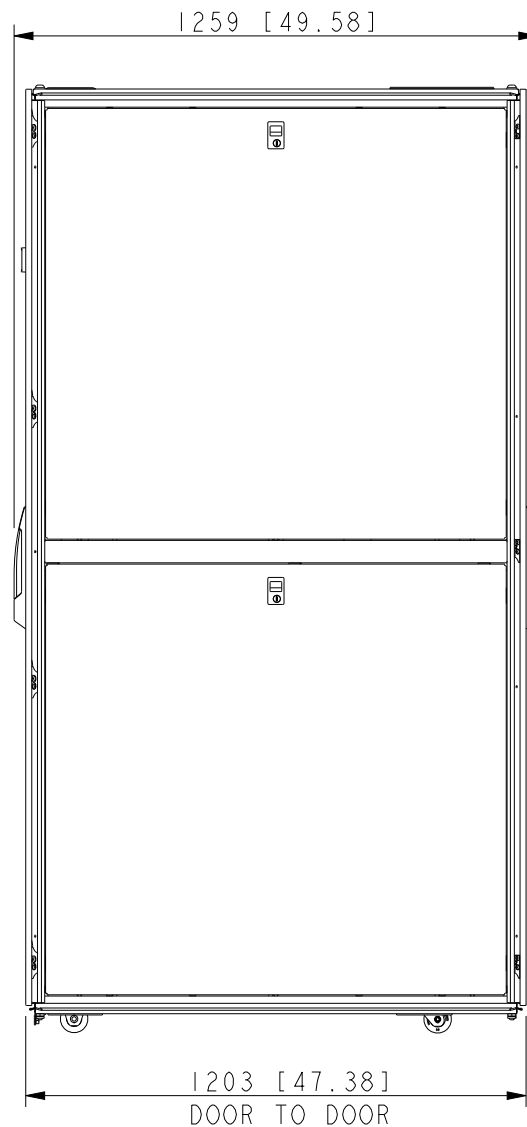
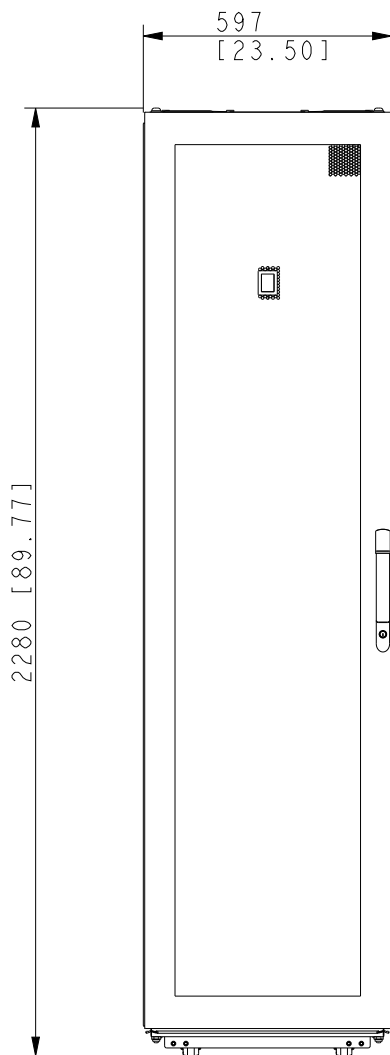
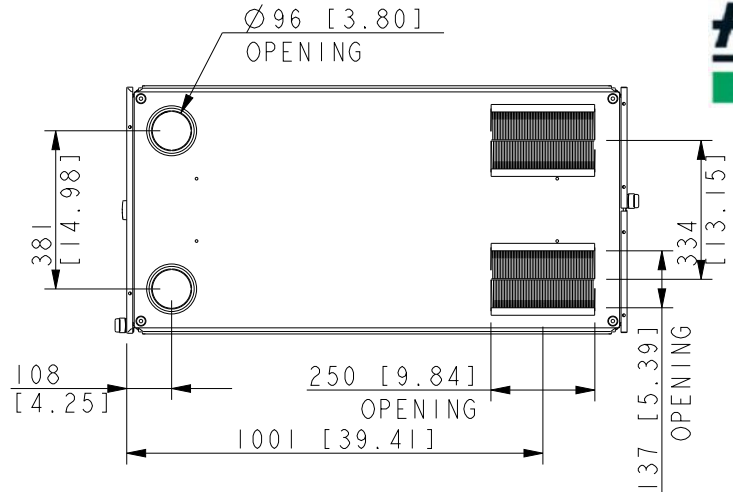


Rittal Specification Sheet



Part Number:	9982232
Revision:	A
Description:	TS IT Pro 48Ux600Wx1200D RAL9005 BLACK WITH SIDES
Rack Weight: (Unpackaged)	147Kg (324lbs)



TS IT Pro Rack	
SPECIFICATION FOR: TS IT Pro 42U0600W1070D RAL9005 W SIDES	
9982232	
RITTAL	

ALL DIMENSIONS ARE REFERENCE ONLY.

ENCLOSURES

POWER DISTRIBUTION

CLIMATE CONTROL

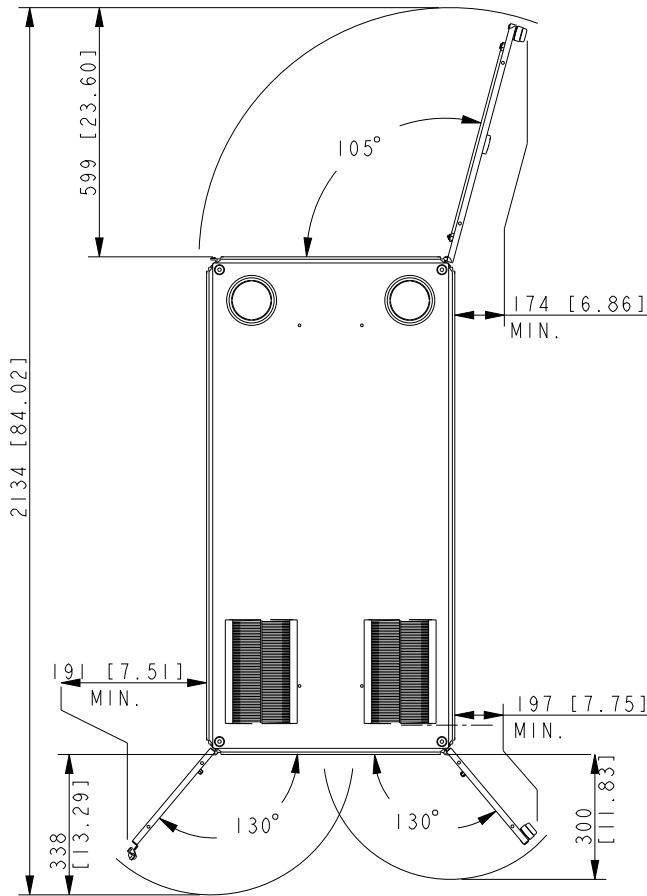
IT INFRASTRUCTURE

SOFTWARE & SERVICES

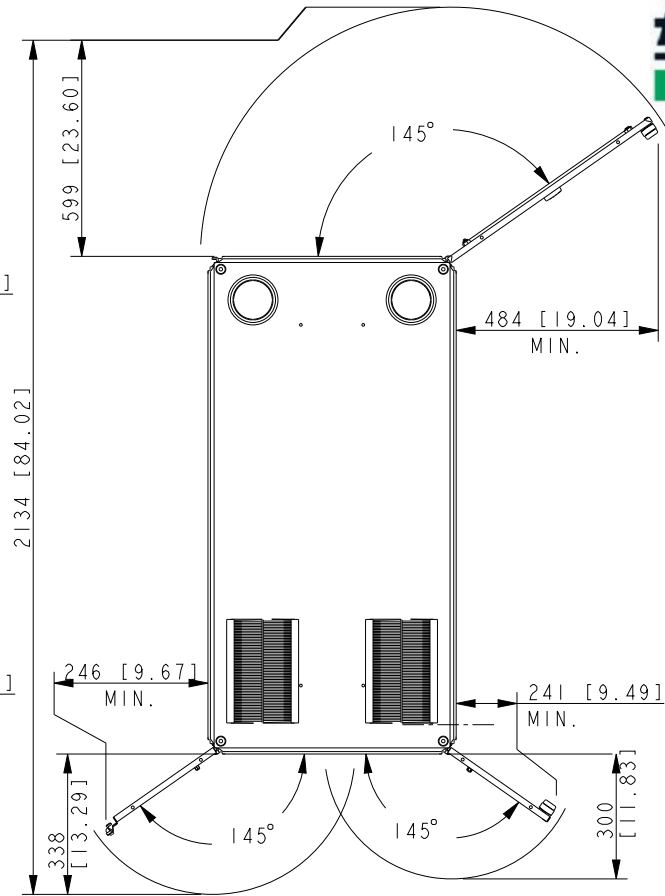


Rittal Specification Sheet

Door opening details

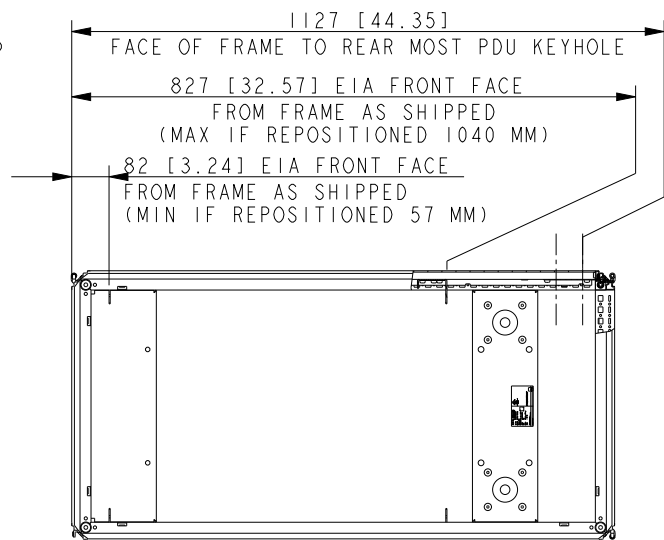
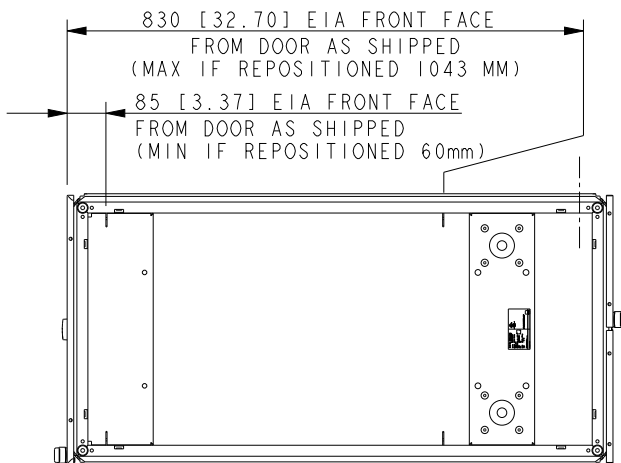


Doors maximum opening angles when bayed showing minimum required space for opening doors



Doors maximum opening angles when not bayed showing minimum required space for opening doors

EIA rail details



TS IT Pro Rack	
SPECIFICATION FOR: TS IT Pro 48U0600W1200D RAL9005 W SIDES	
9982232	
RITTAL	

ALL DIMENSIONS ARE REFERENCE ONLY.

ENCLOSURES

POWER DISTRIBUTION

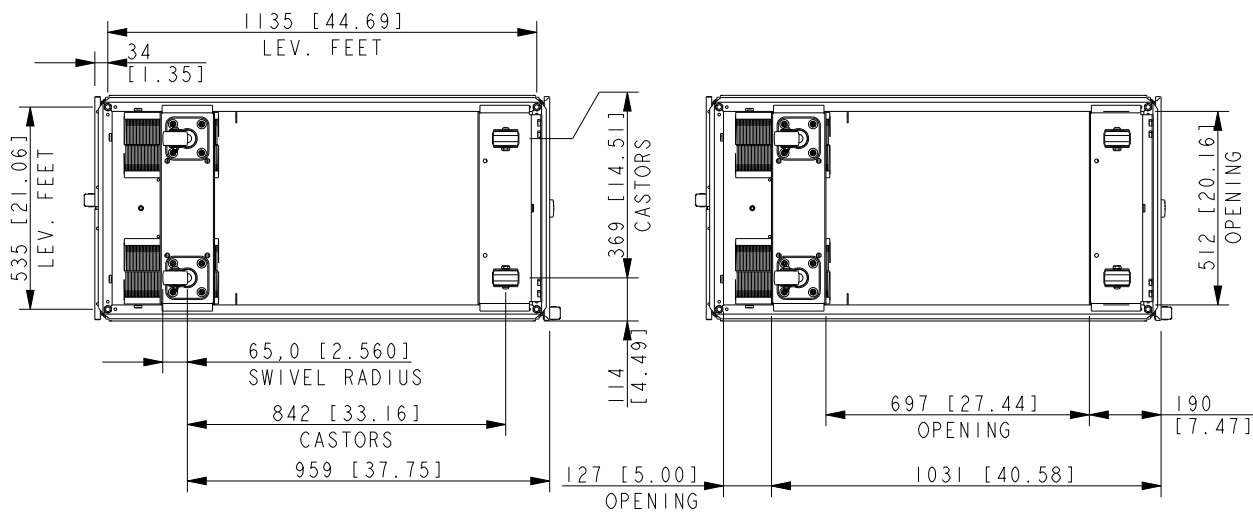
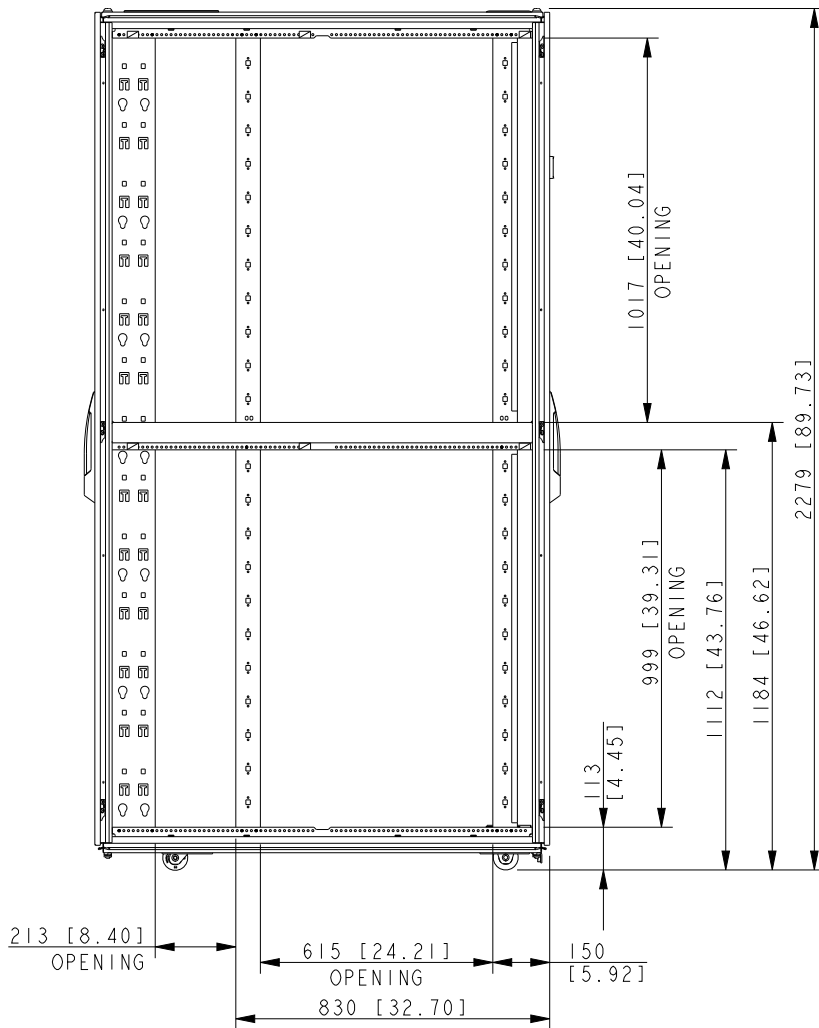
CLIMATE CONTROL

IT INFRASTRUCTURE

SOFTWARE & SERVICES



Rittal Specification Sheet



TS IT Pro Rack	
SPECIFICATION FOR: TS IT Pro 48U0600W1200D RAL9005 W SIDES	
9982232	
RITTAL	

VIEW FROM UNDERSIDE SHOWING
CASTORS AND OPENINGS

ALL DIMENSIONS ARE REFERENCE ONLY.

ENCLOSURES

POWER DISTRIBUTION

CLIMATE CONTROL

IT INFRASTRUCTURE

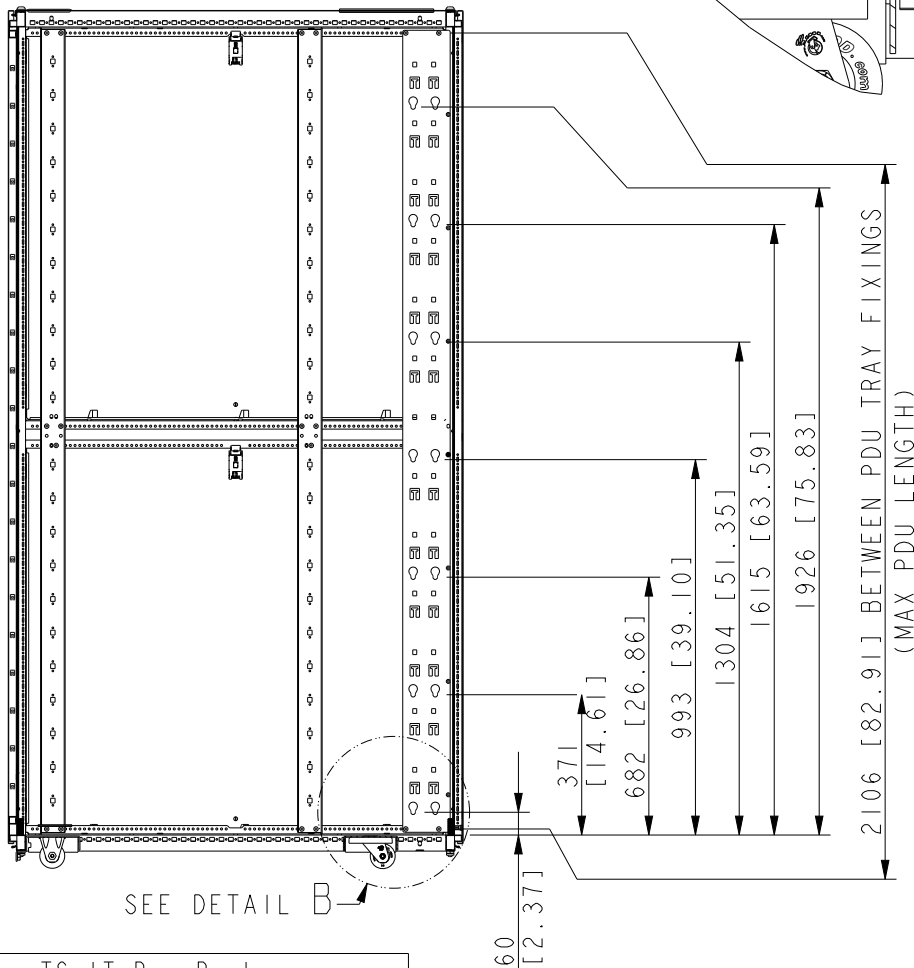
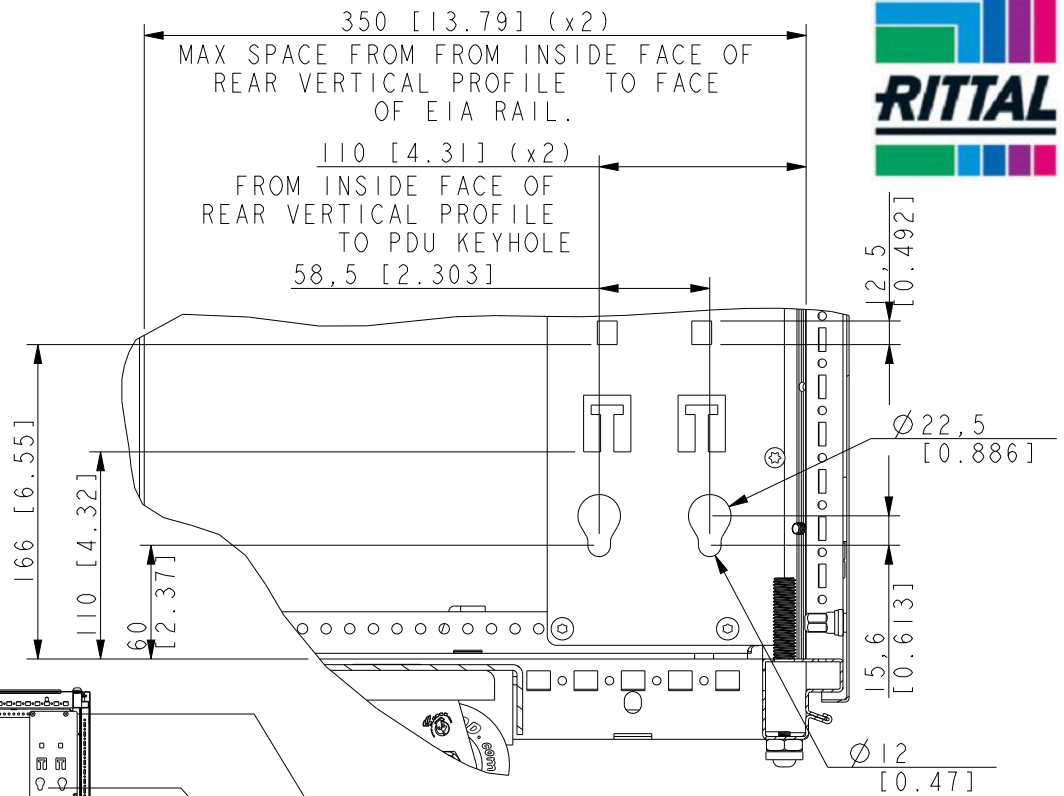
SOFTWARE & SERVICES



Rittal Specification Sheet



DETAIL B
PDU Tray Details
SCALE 0.250



TS IT Pro Rack	
SPECIFICATION FOR: TS IT Pro 48U0600W1200D RAL9005 W SIDES	
9982232	
RITTAL	

ALL DIMENSIONS ARE REFERENCE ONLY.

ENCLOSURES

POWER DISTRIBUTION

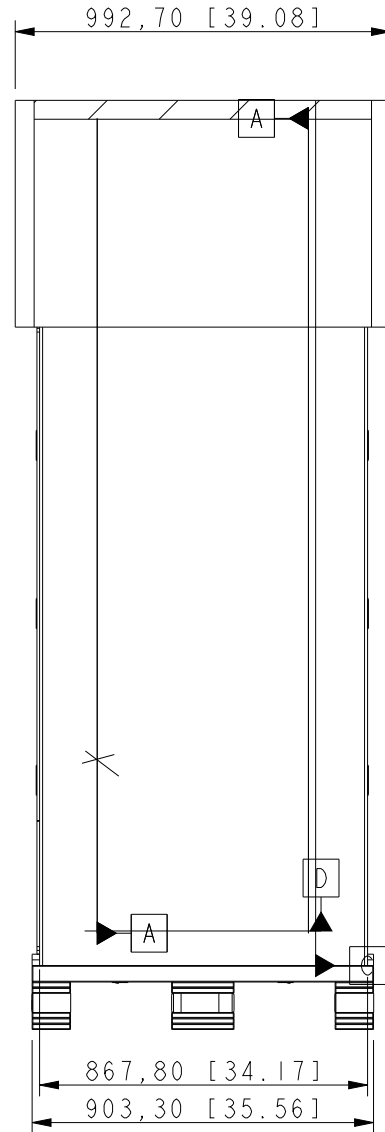
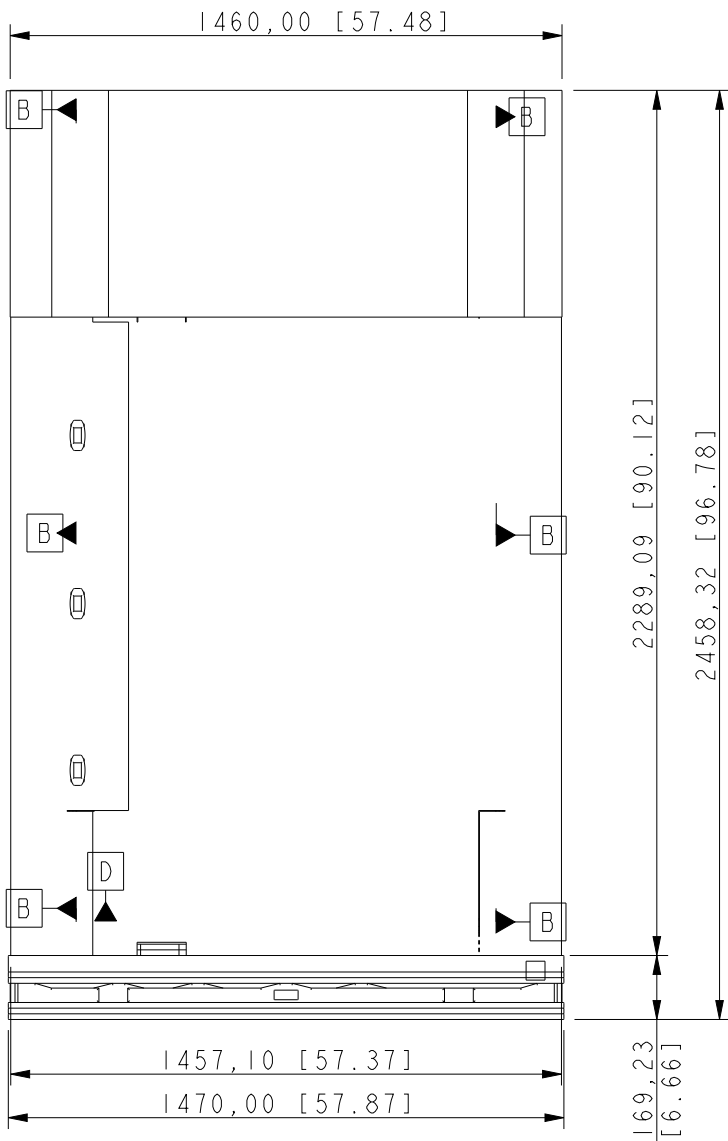
CLIMATE CONTROL

IT INFRASTRUCTURE

SOFTWARE & SERVICES



Part Number:	9982232
Revision:	A
Description:	TS IT Pro 48Ux600Wx1200D WITH SIDES SHIP LOADABLE PACKAGING
Rack Weight: (packaged)	269kg(593lbs)



TS IT Pro Rack	
SPECIFICATION FOR: TS IT Pro 42U600W1070D W SIDES	
9982232	
RITTAL	