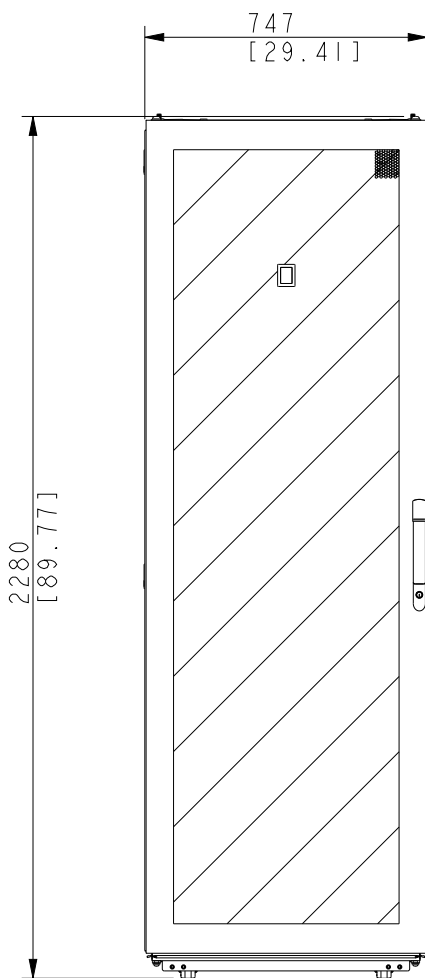
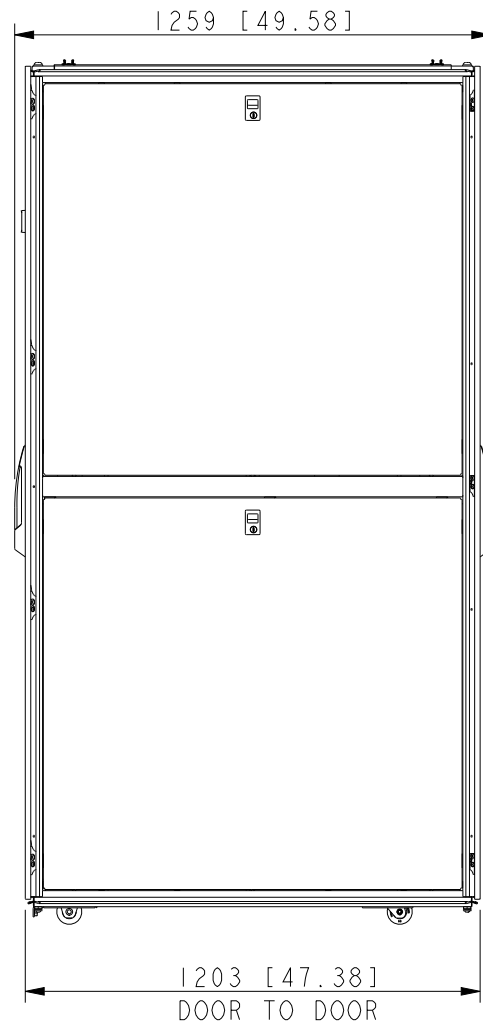
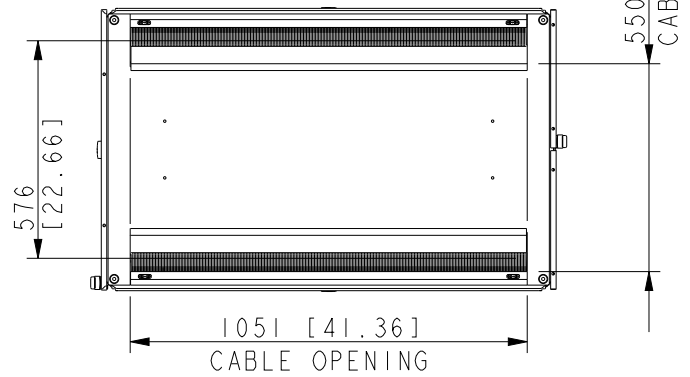


# Rittal Specification Sheet



Part Number:	9982233
Revision:	A
Description:	TS IT Pro 48Ux750Wx1200D RAL9005 BLACK WITH SIDES
Rack Weight: (Unpackaged)	177Kg (390lbs)



TS IT Pro Rack	
SPECIFICATION FOR: TS IT Pro 48U0750W1200D RAL9005 W SIDES	
9982233	
RITTAL	

ALL DIMENSIONS ARE REFERENCE ONLY.

ENCLOSURES

POWER DISTRIBUTION

CLIMATE CONTROL

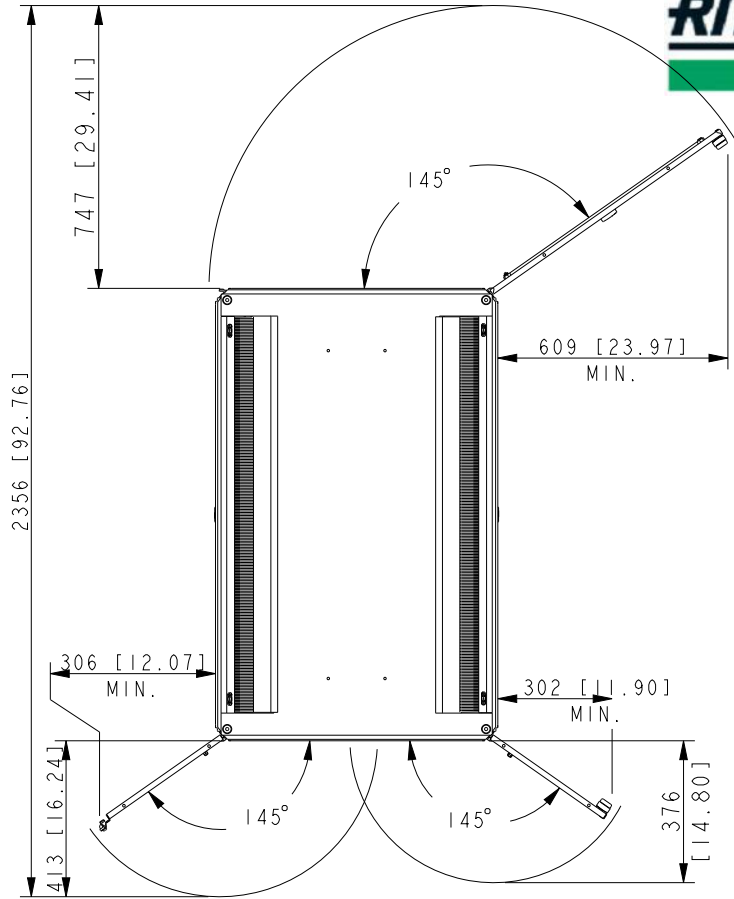
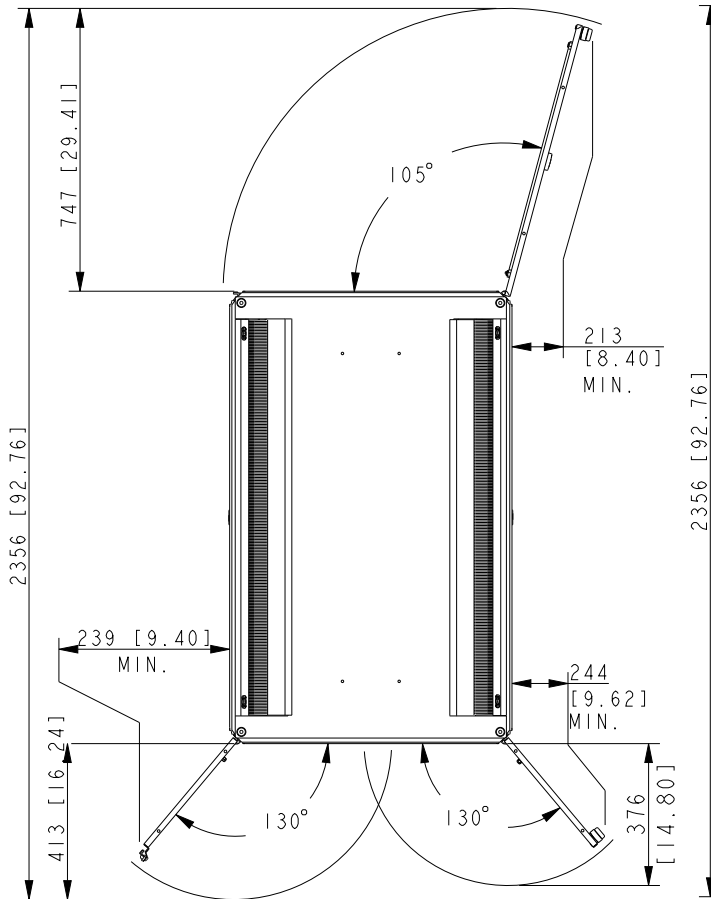
IT INFRASTRUCTURE

SOFTWARE & SERVICES



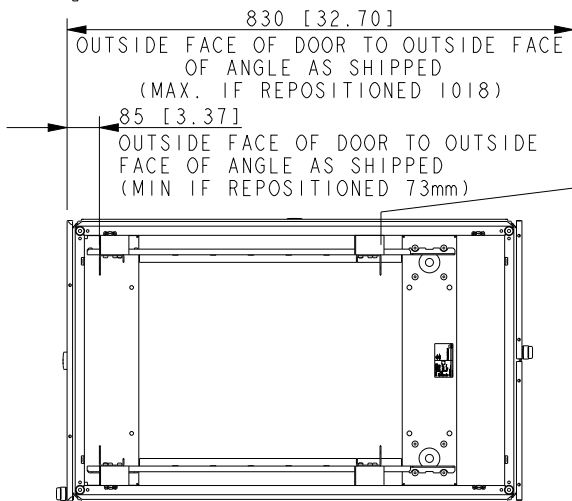
# Rittal Specification Sheet

## Door opening details

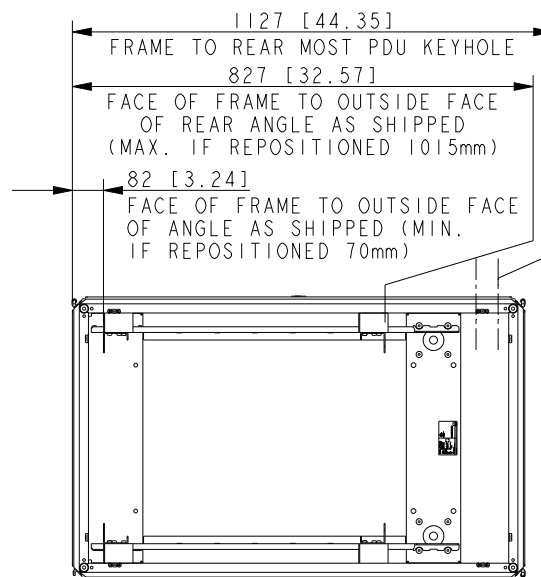


Doors maximum opening angles when bayed showing minimum required space for opening doors

Doors maximum opening angles when not bayed showing minimum required space for opening doors



## EIA rail details



TS IT Pro Rack	
SPECIFICATION FOR: TS IT Pro 48U0750W1200D RAL9005 W SIDES	
9982233	
RITTAL	

ALL DIMENSIONS ARE REFERENCE ONLY.

ENCLOSURES

POWER DISTRIBUTION

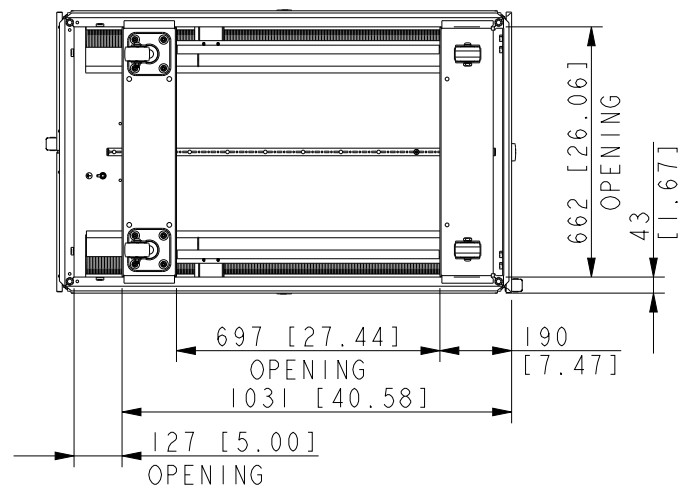
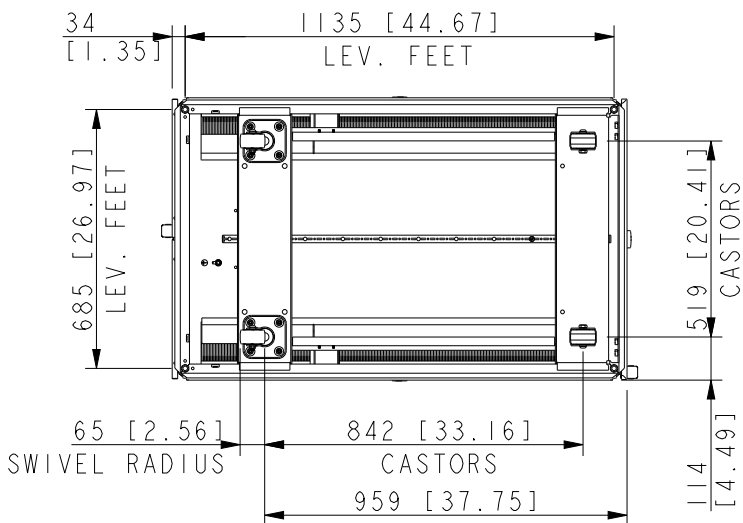
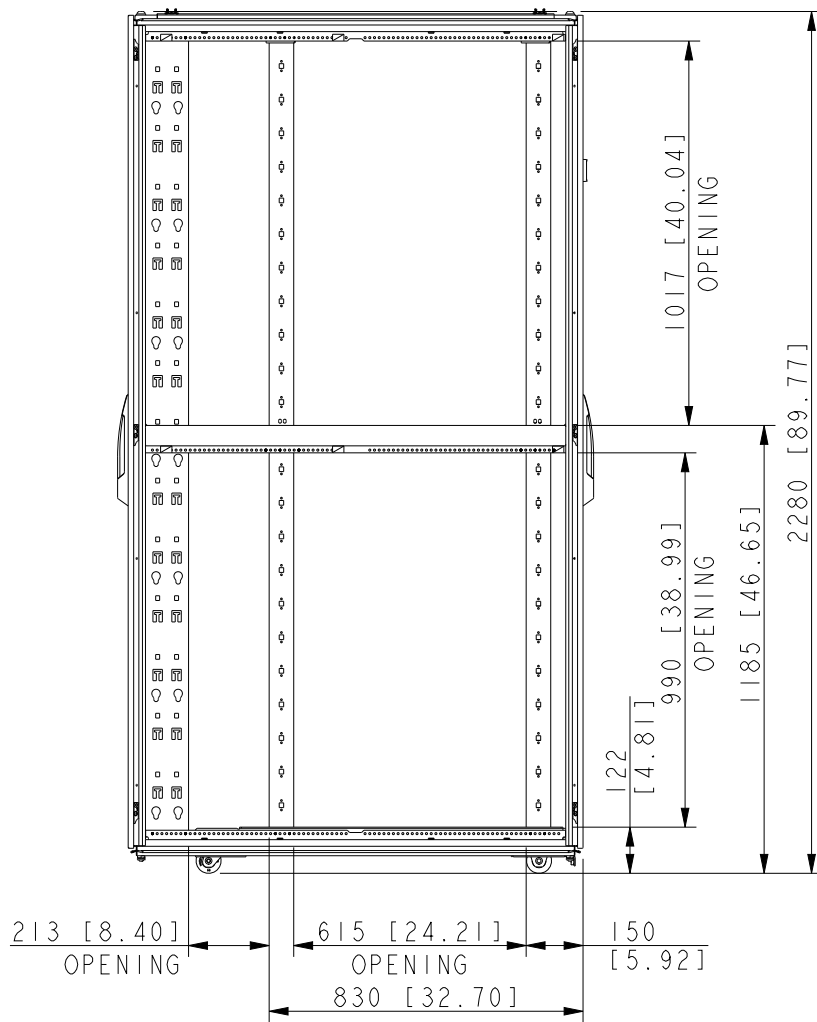
CLIMATE CONTROL

IT INFRASTRUCTURE

SOFTWARE & SERVICES



# Rittal Specification Sheet



VIEW FROM UNDERSIDE SHOWING CASTORS AND OPENINGS

TS IT Pro Rack	
SPECIFICATION FOR: TS IT Pro 48U0750W1200 RAL9005 W SIDES	
9982233	
RITTAL	

ALL DIMENSIONS ARE REFERENCE ONLY.

ENCLOSURES

POWER DISTRIBUTION

CLIMATE CONTROL

IT INFRASTRUCTURE

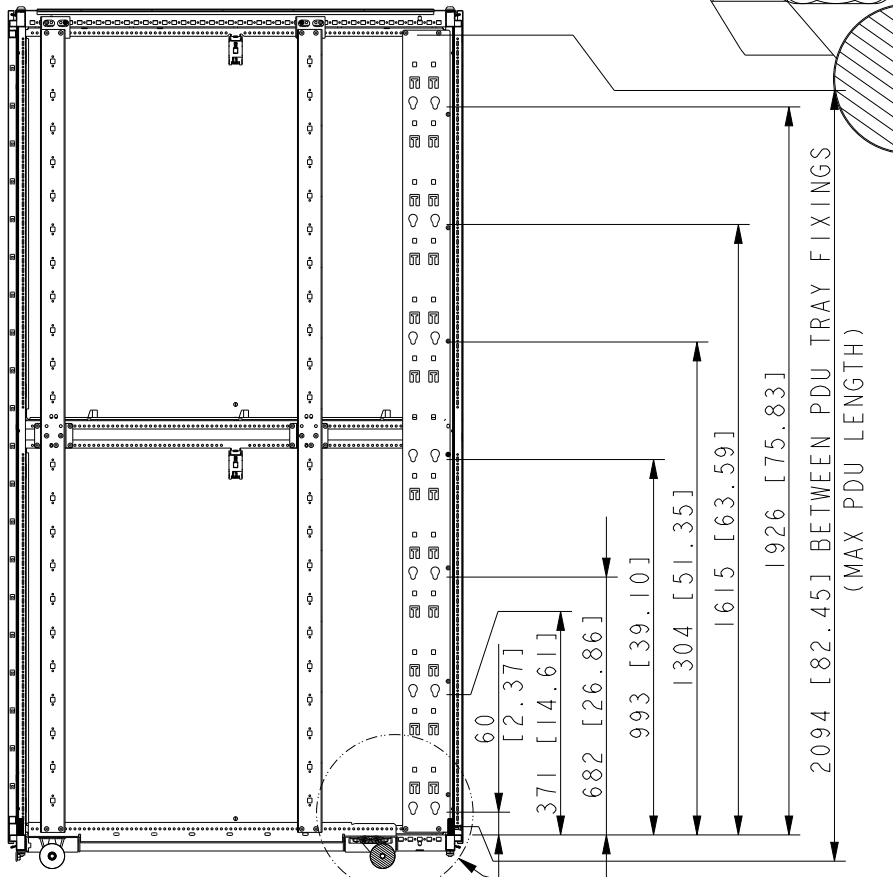
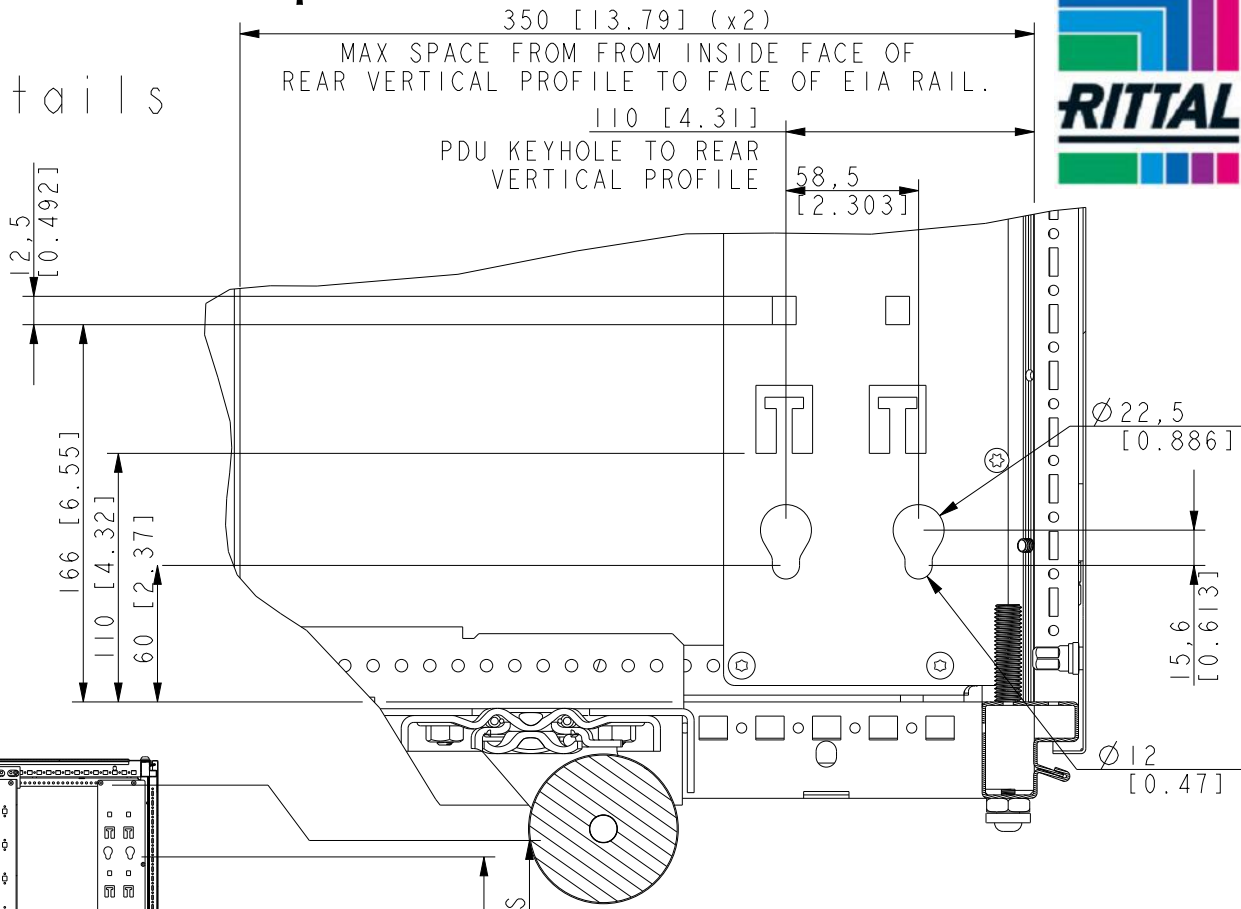
SOFTWARE & SERVICES



# Rittal Specification Sheet



PDU details



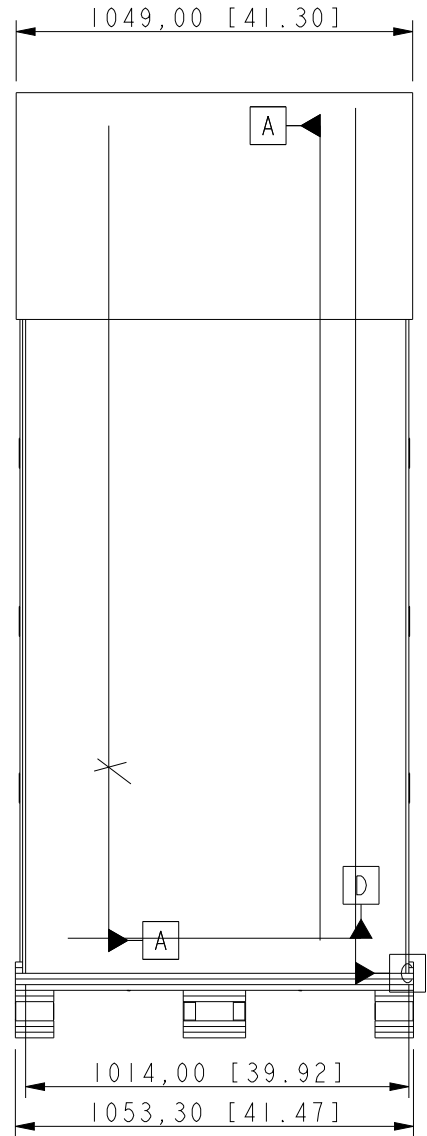
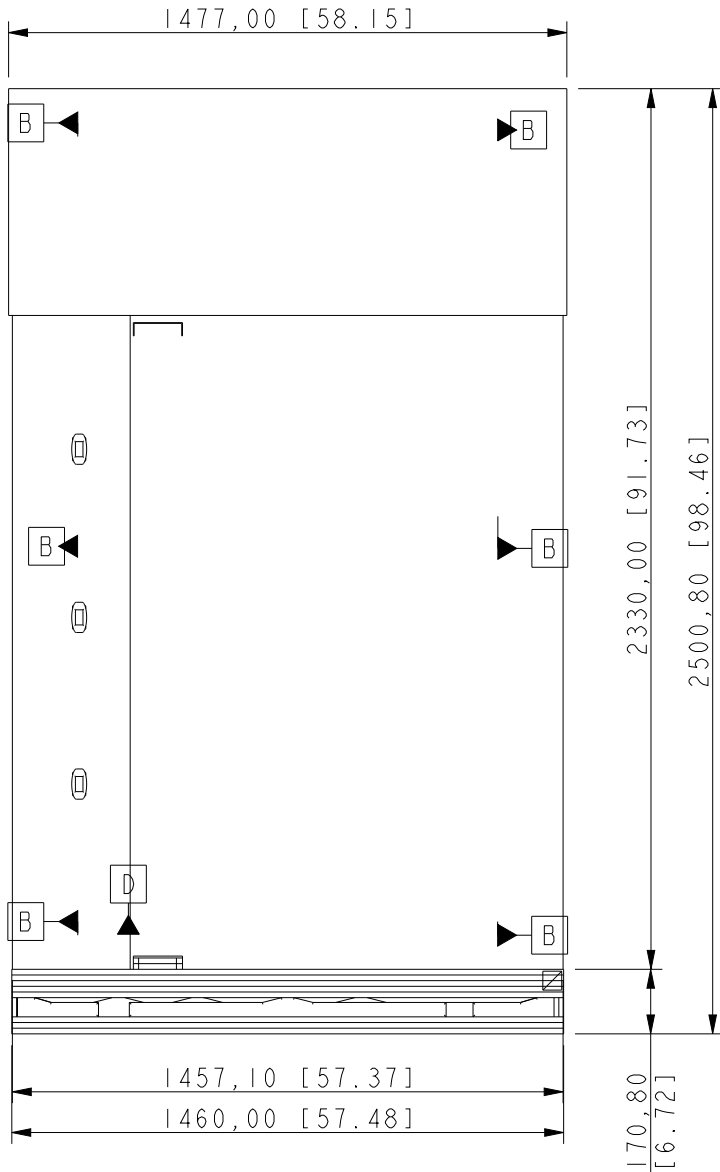
TS IT Pro Rack	
SPECIFICATION FOR: TS IT Pro 48U0750W11200D RAL9005 W SIDES	
9982233	
RITTAL	

SEE DETAIL B

ALL DIMENSIONS ARE REFERENCE ONLY.



Part Number:	9982233
Revision:	A
Description:	TS IT Pro 48Ux750Wx1200D WITH SIDES SHIP LOADABLE PACKAGING
Rack Weight: (packaged)	272kg(600lbs)



TS IT Pro Rack	
SPECIFICATION FOR: TS IT Pro 42U600W1070D W SIDES	
9982233	
RITTAL	