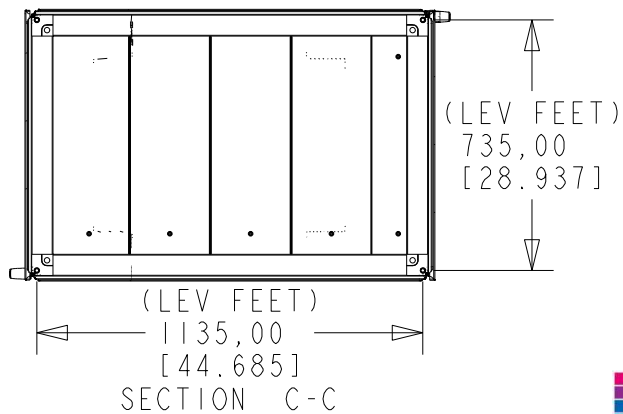
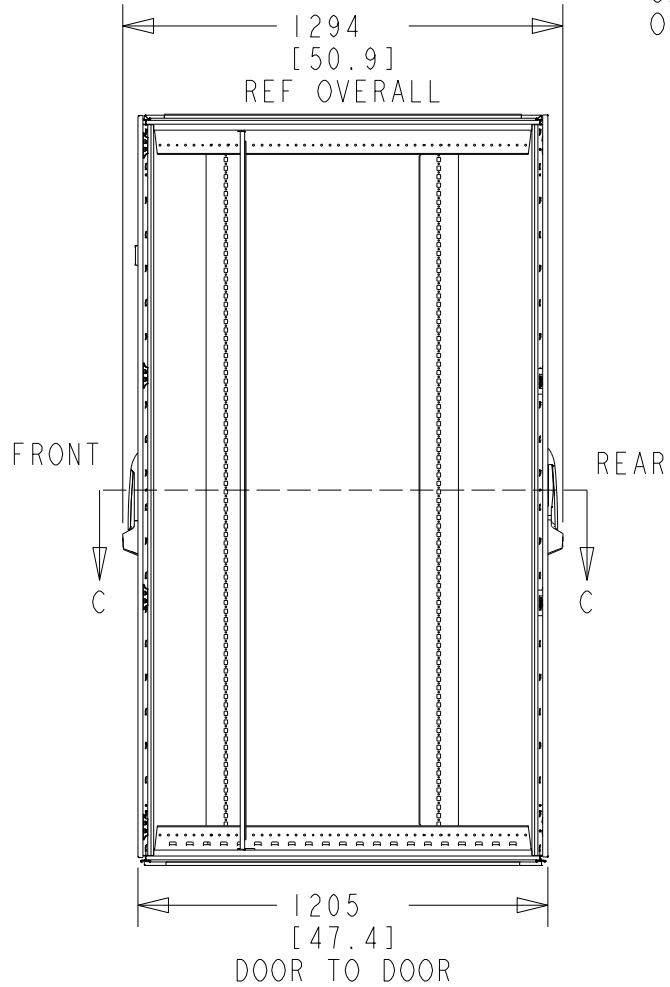
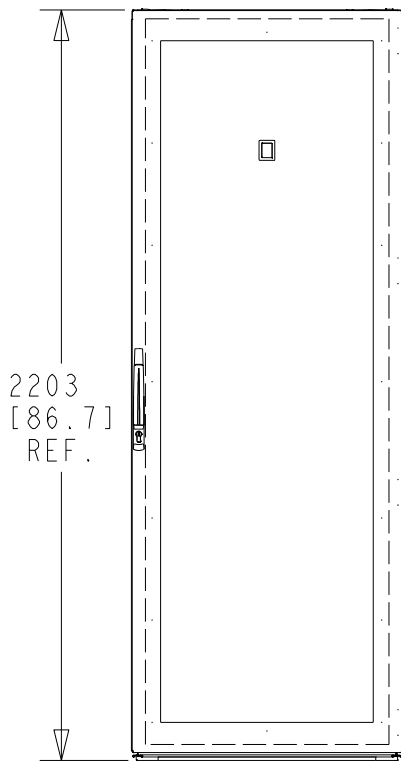
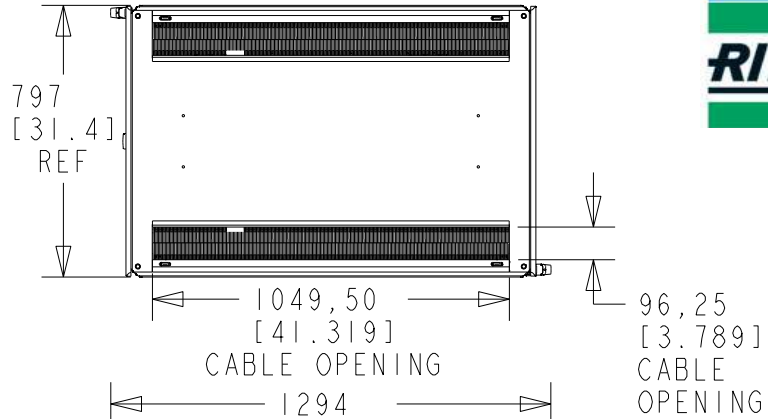


Rittal Specification Sheet



Part Number:	9982224
Revision:	A
Description:	TS IT Enclosure 2200H0800WI200D RAL9005 LCP Ready
Rack Weight: (Unpackaged)	156kg (344lbs)



TS IT Enclosure Rack	
SPECIFICATION FOR:	
TS IT Enclosure 2200H0800WI200D RAL9005	
DRAWING NUMBER	
9982224	
RITTAL	

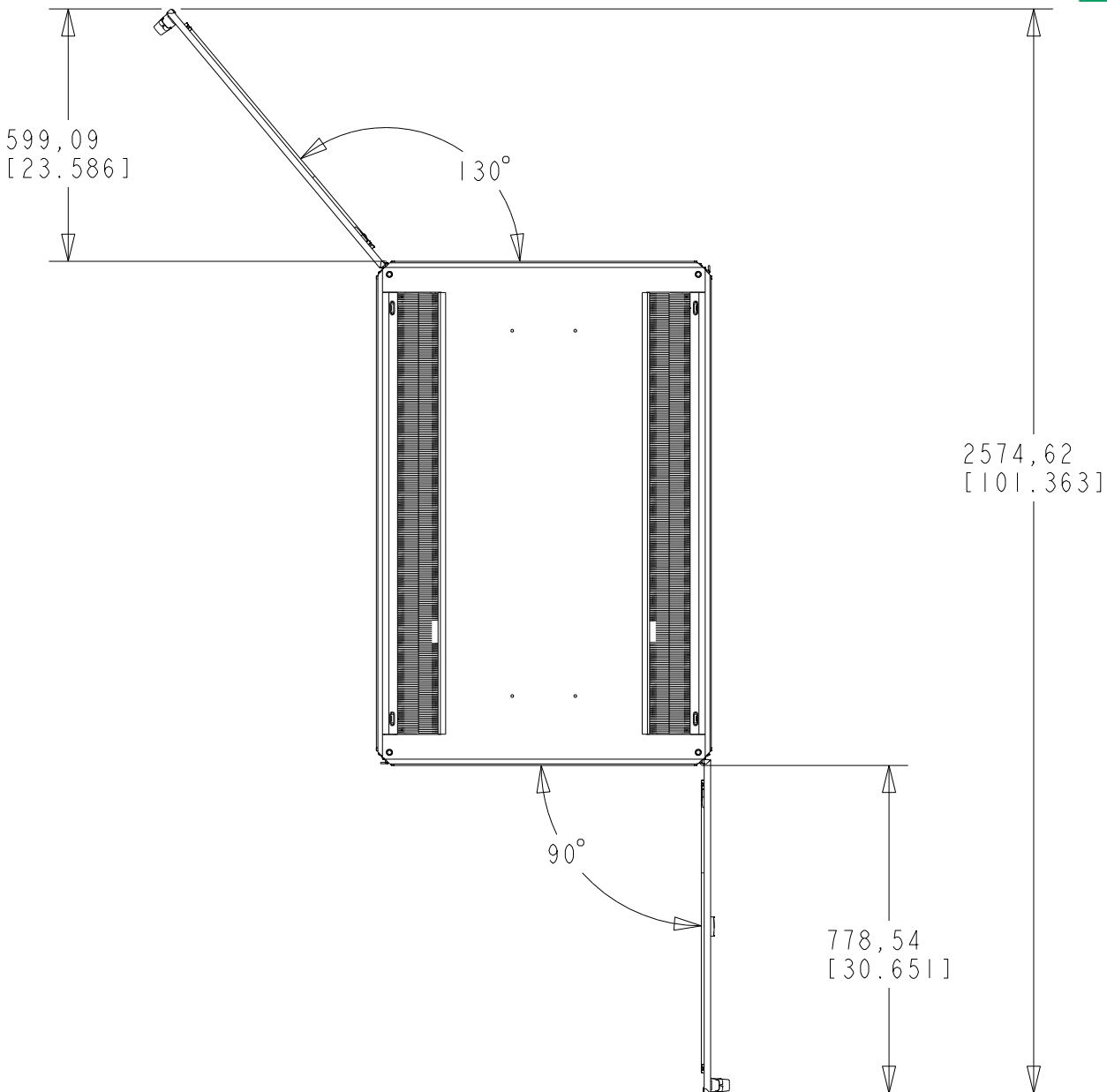
ALL DIMENSIONS ARE REFERENCE ONLY



Rittal Specification Sheet



Door opening detail



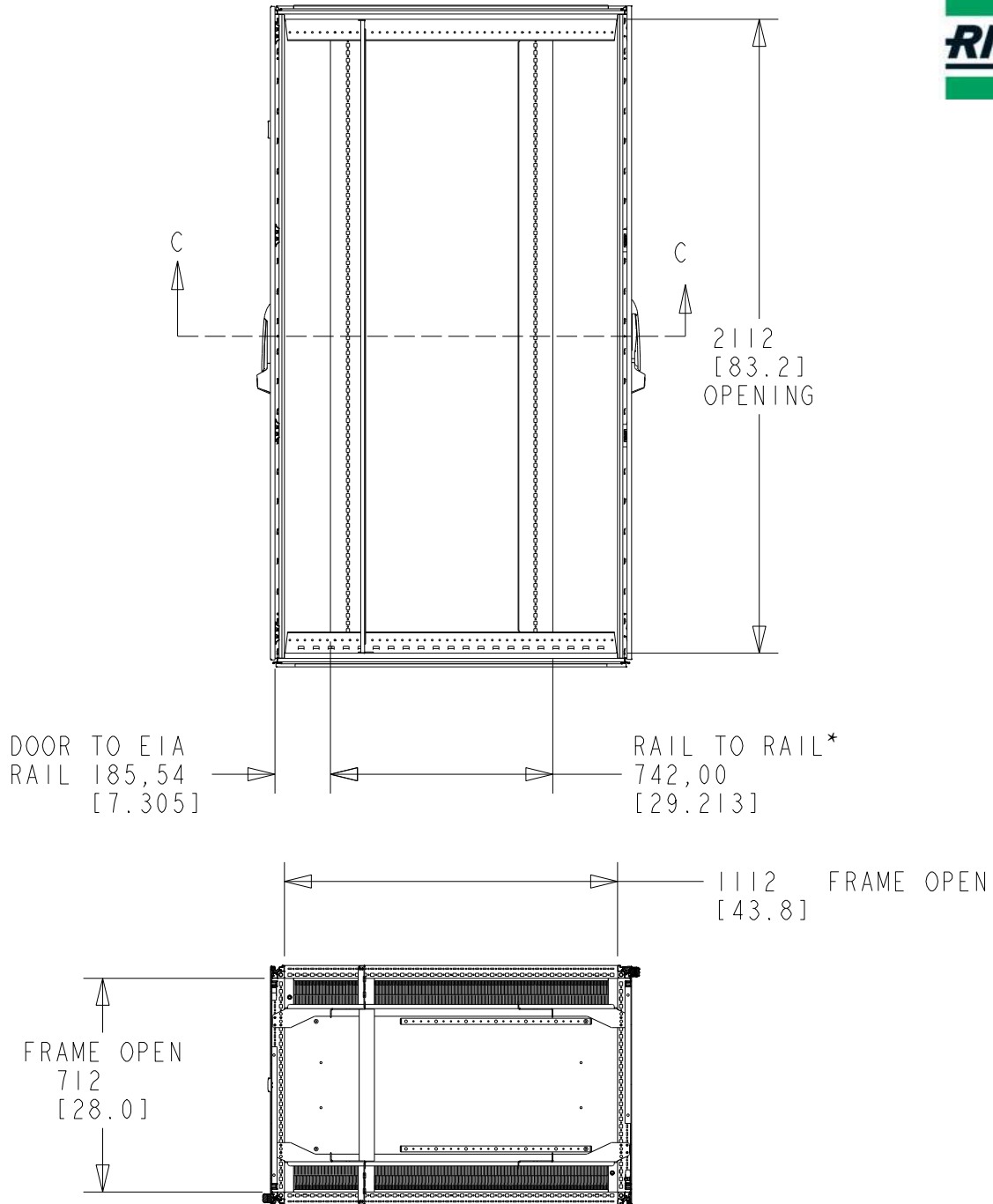
Doors maximum opening angles when bayed showing minimum required space for opening door.

TS IT Enclosure Rack	
SPECIFICATION FOR:	
TS IT Enclosure 2200H0800W1200D RAL9005	
DRAWING NUMBER	
9982224	
RITTAL	

ALL DIMENSIONS ARE REFERENCE ONLY



Rittal Specification Sheet



TS IT Enclosure Rack	
SPECIFICATION FOR:	
TS IT Enclosure 2200H0800W1200D RAL9005	
DRAWING NUMBER	
9982224	
RITTAL	

ALL DIMENSIONS ARE REFERENCE ONLY

*ADJUSTABLE

