

**Rittal – The System.**

Faster – better – everywhere.

# Small enclosures KX, stainless steel

Technical documentation Load capacity



ENCLOSURES

POWER DISTRIBUTION

CLIMATE CONTROL

IT INFRASTRUCTURE

SOFTWARE & SERVICES



FRIEDHELM LOH GROUP

# Small enclosures KX, stainless steel

---

## Contents/general remarks

### Contents

<b>1. General notes</b> .....	<b>2</b>
<b>2. Enclosures</b> .....	<b>3</b>
<b>3. Mounting plate</b> .....	<b>4</b>
<b>4. Support rail</b> .....	<b>4</b>
<b>5. Door/cover</b> .....	<b>5</b>
<b>6. Mounting variants</b> .....	<b>6</b>
6.1 Wall mounting bracket .....	6
6.2 Wall mounting bracket .....	6
6.3 Wall angle .....	6
6.4 Pole clamp .....	7

---

## 1. General notes

Based on the results of in-depth testing, we hope that this technical documentation will guide you through the assembly of enclosures/housings.

The technical descriptions for the various loading options with the KX small enclosures are not warranted properties, and we are unable to accept any liability in this regard.

Additionally, Rittal reserves the right to extend or modify this technical documentation as and when necessary.

To aid understanding of the load specifications given in Newtons, here is the conversion formula for converting into kilograms.

$$F \text{ [N]} = m \text{ [kg]} \cdot g \text{ [m/s}^2\text{]}$$

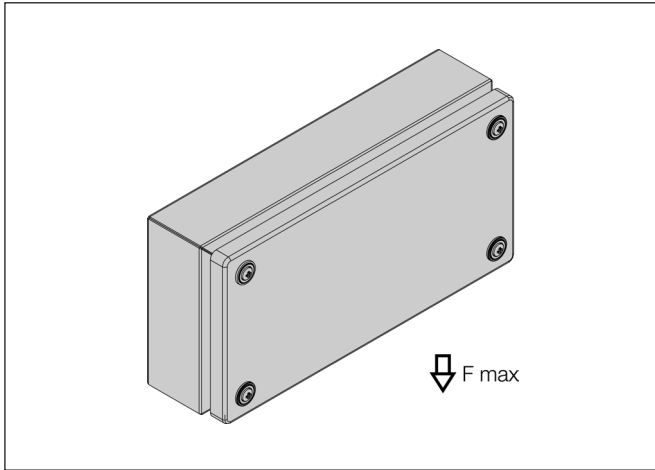
$$\text{Example: } 9.81 \text{ N} = 1 \text{ kg} \cdot 9.81 \text{ m/s}^2$$

Should you have any further questions or suggestions on the points raised in this technical documentation, please get in touch with your Rittal specialist advisor.

# Small enclosures KX, stainless steel

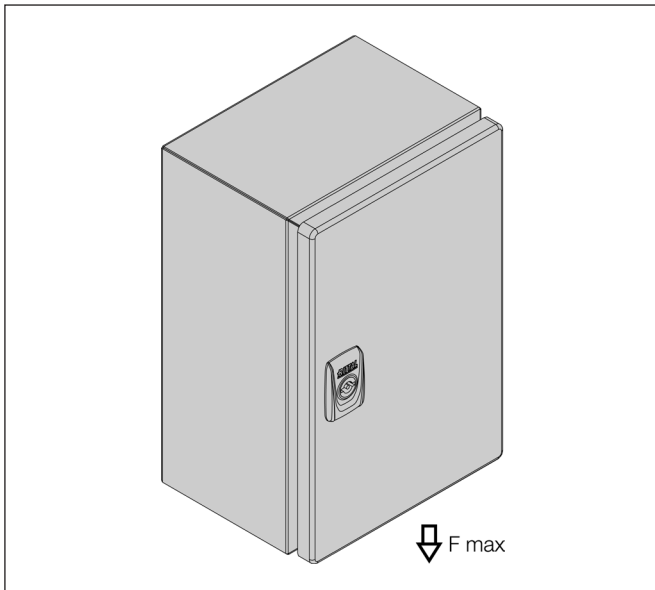
## Load capacity

### 2. Enclosures



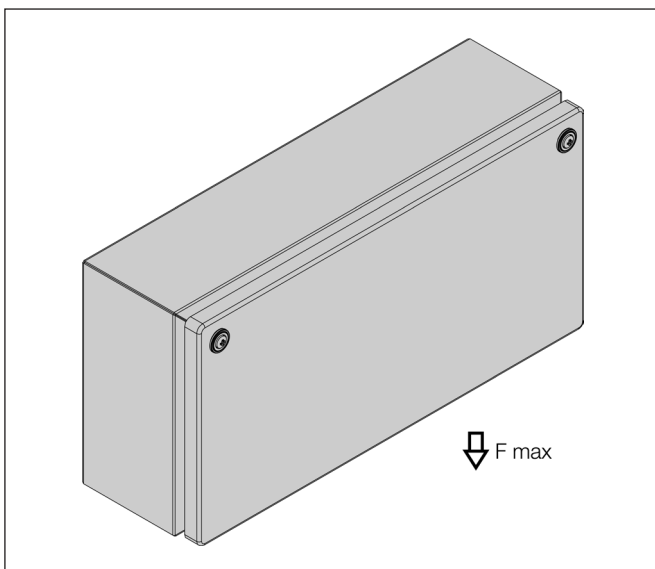
Overall load, terminal boxes KX, stainless steel

Model No.	F [N]
1560.000	50
1564.000,	125
1561.000, 1562.000	150
1563.000	175
1565.000	200
1566.000	250
1567.000, 1568.000	325
1569.000	425



Overall load, E-Box KX, stainless steel

Model No.	F [N]
1584.000	250
1301.000, 1587.000	300
1588.000	525

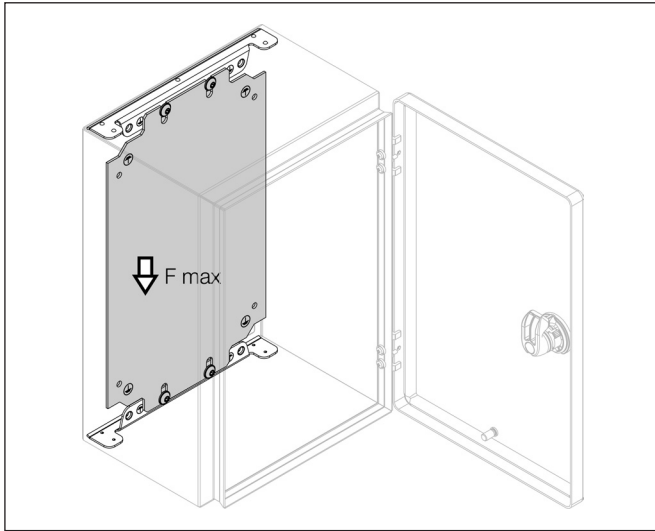


Overall load, bus enclosures KX, stainless steel

Model No.	F [N]
1585.000	325
1586.000	425

# Small enclosures KX, stainless steel

## Load capacity 3. Mounting plate

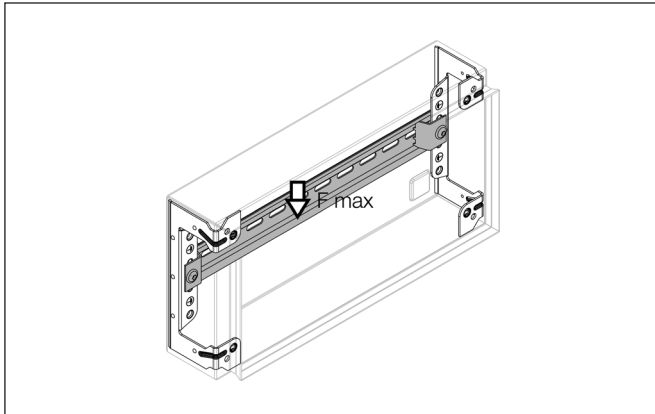


In standard enclosures.  
Load values apply to symmetrical loading.

Model No. Terminal boxes KX, stainless steel	F [N]
1560.000	25
1561.000, 1562.000, 1564.000	50
1563.000	75
1565.000	100
1566.000	150
1567.000, 1568.000	200
1569.000	300
Model No. E-Box KX, stainless steel	F [N]
1584.000	150
1301.000, 1587.000	200
1588.000	400
Model No. Bus enclosures KX, stainless steel	F [N]
1585.000	200
15886.000	300

## 4. Support rail

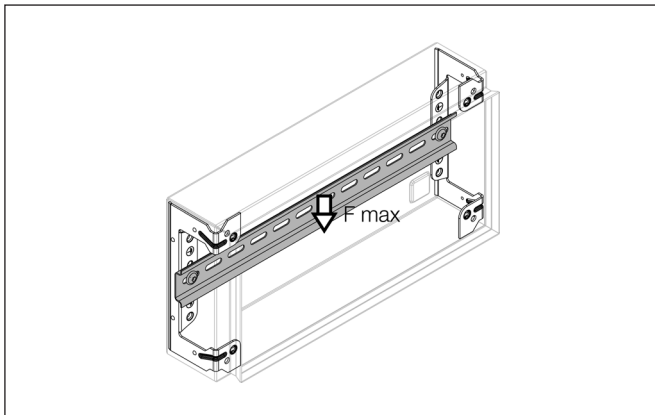
TH 35/7.5 and TH 35/15 to EN 60 715 for terminal boxes KX, stainless steel and Bus enclosures KX, stainless steel in conjunction with mounting claw for second mounting level 2309.100.



In standard enclosures.  
Load values apply to symmetrical loading.

Model No.	F [N]
1560.000, 1561.000, 1562.000, 1563.000, 1564.000, 1565.000, 1566.000, 1567.000, 1568.000, 1569.000, 1585.000, 1586.000	30

TH 35/7.5 and TH 35/15 to EN 60 715 for terminal boxes KX, stainless steel and Bus enclosures KX, stainless steel in conjunction with screws for gland plates.



In standard enclosures.  
Load values apply to symmetrical loading.

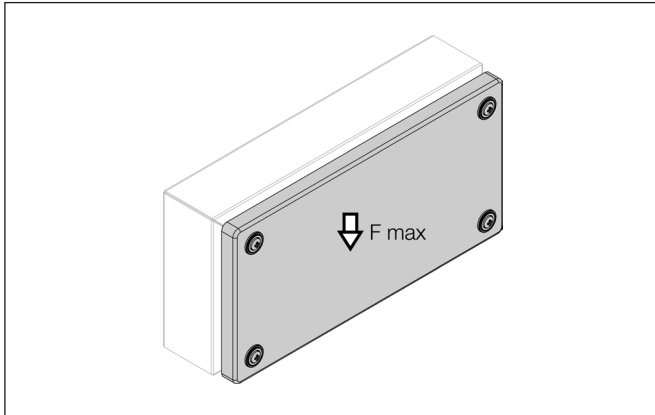
Model No.	F [N]
1560.000, 1561.000, 1562.000, 1563.000, 1564.000, 1565.000, 1566.000, 1567.000, 1568.000, 1569.000, 1585.000, 1586.000	30

# Small enclosures KX, stainless steel

## Load capacity

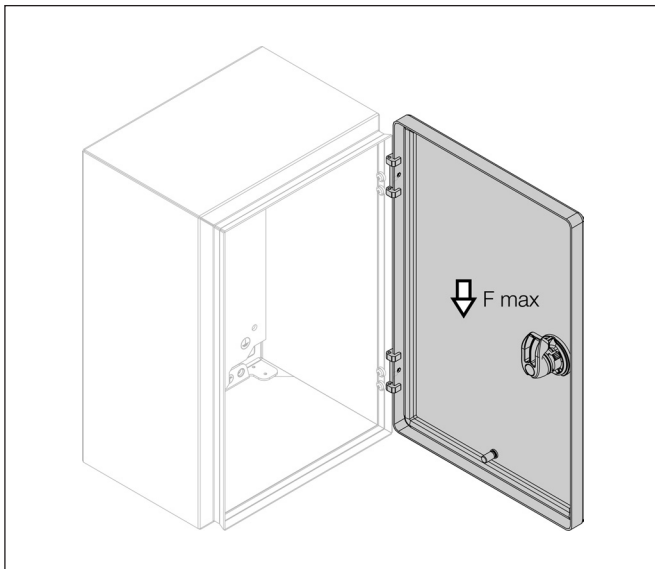
### 5. Door/cover

Load values apply to symmetrical loading.  
The enclosure must be securely attached to ensure its stability.



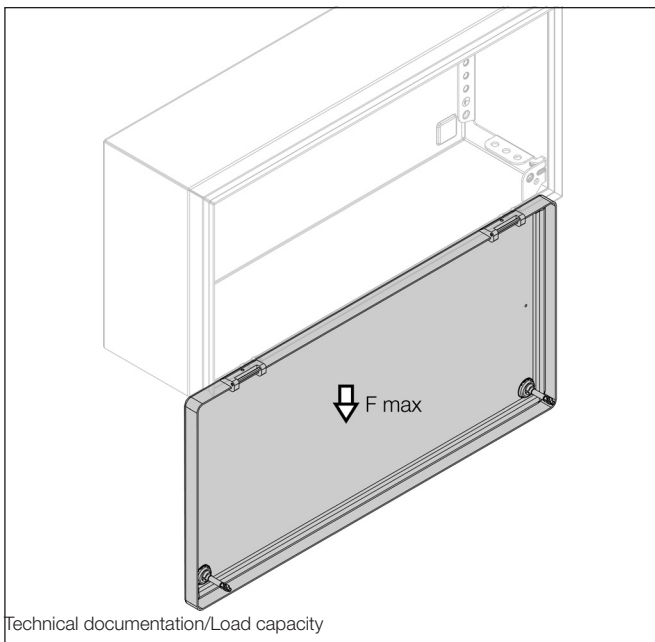
#### Terminal boxes KX, stainless steel

Model No.	F [N]
1560.000, 1564.000	25
1561.000, 1562.000, 1563.000, 1565.000, 1566.000	50
1567.000, 1568.000, 1569.000	75



#### E-Box KX, stainless steel

Model No.	F [N]
1301.000, 1584.000, 1587.000	50
1588.000	75

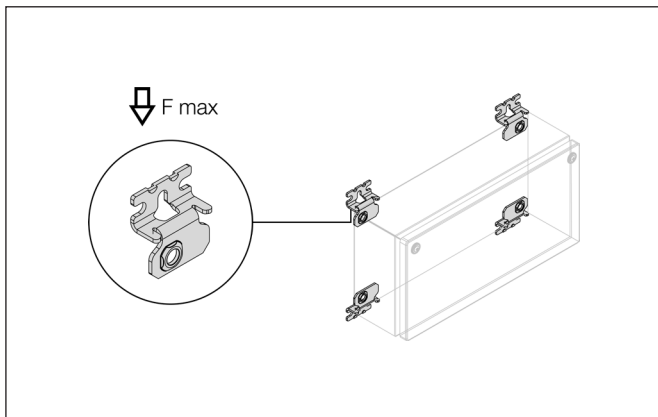


#### Bus enclosures KX, stainless steel

Model No.	F [N]
1583.000	50
1585.000, 1586.000	75

# Small enclosures KX, stainless steel

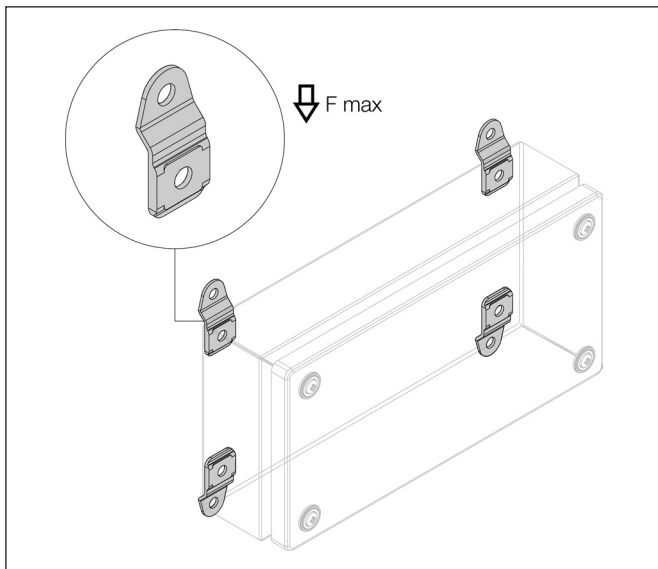
## Attachment 6. Mounting variants



### 6.1 Wall mounting bracket 2433.010, 2433.510

Can also be installed rotated through 90°.

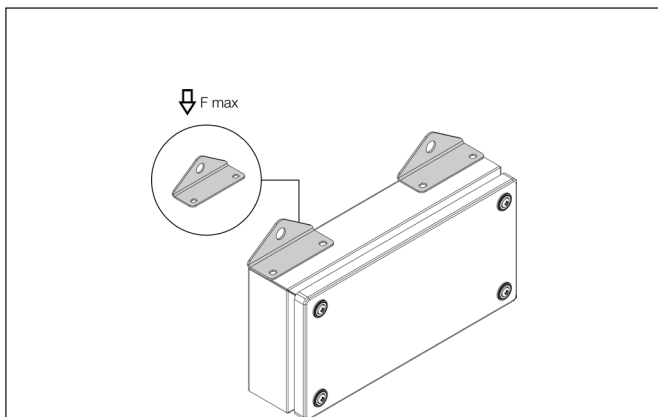
With symmetrical loading, the load for four brackets is  $F = 1500 \text{ N}$   
Note max. enclosure loading!



### 6.2 Wall mounting bracket 1594.010

Can also be installed rotated through 90°.

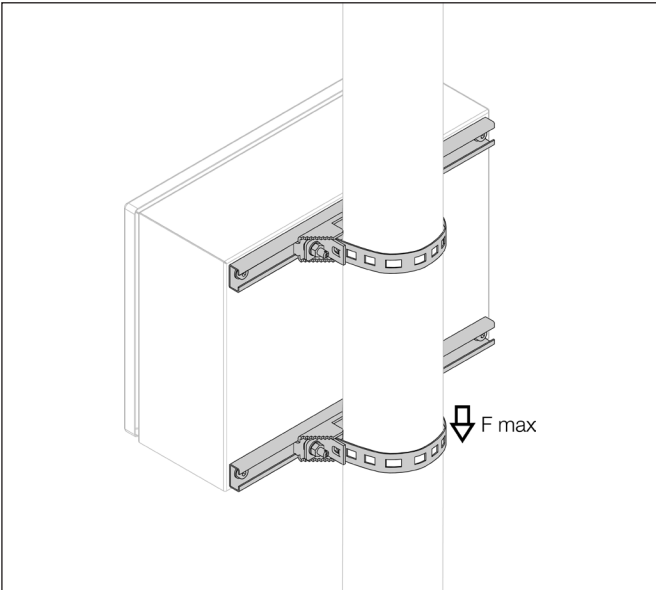
With symmetrical loading, the load for four brackets is  $F = 900 \text{ N}$   
Note max. enclosure loading!



### 6.3 Wall angle 2583.510

With symmetrical loading, the load  
for four angles is  $F = 3000 \text{ N}$   
for two angles is  $F = 2000 \text{ N}$   
Note max. enclosure loading!

## 6. Mounting variants



### 6.4 Pole clamp 2584.100

With symmetrical loading, the load for two pole clamps is  $F = 1000\text{ N}$   
Note max. enclosure loading!

# Rittal – The System.

Faster – better – everywhere.

- Enclosures
- Power Distribution
- Climate Control
- IT Infrastructure
- Software & Services

You can find the contact details of all Rittal companies throughout the world here.



[www.rittal.com/contact](http://www.rittal.com/contact)

US1045-BR-TR ■ 3/24

ENCLOSURES

POWER DISTRIBUTION

CLIMATE CONTROL

IT INFRASTRUCTURE

SOFTWARE & SERVICES



FRIEDHELM LOH GROUP