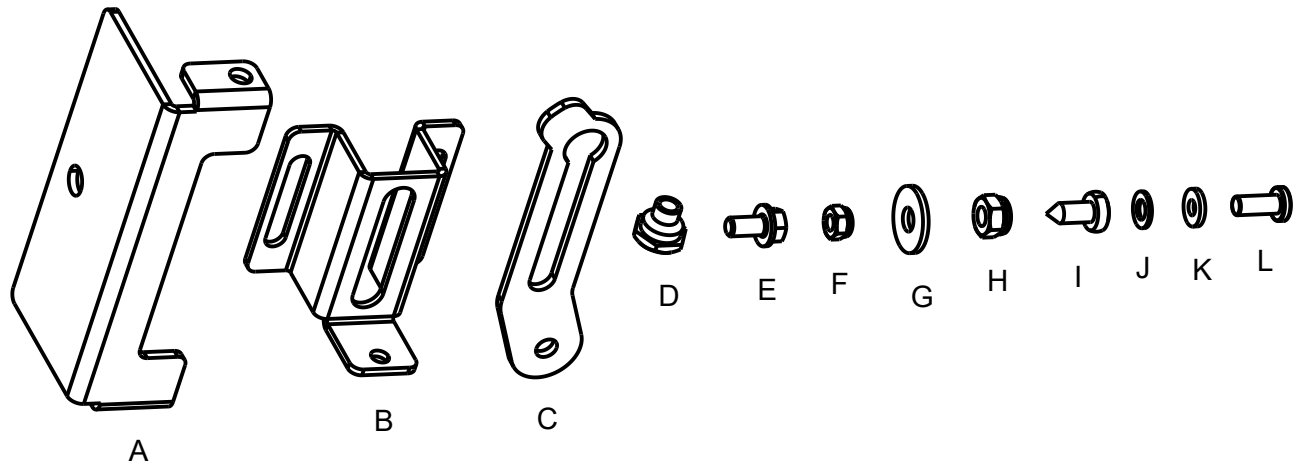




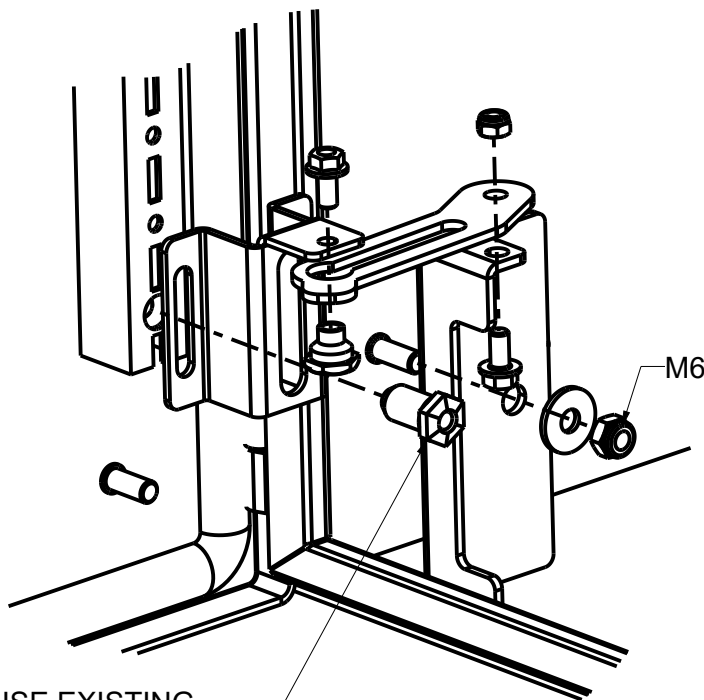
9977.497 - SS WM DOORSTOP INSTALLATION INSTRUCTIONS



- A. BODY DOORSTOP BRACKET
- B. DOOR DOORSTOP BRACKET
- C. DOORSTOP SWING ARM
- D. DOORSTOP PIN
- E. (2X) M5X10 HEX SCREW
- F. (3X) M5 NUT

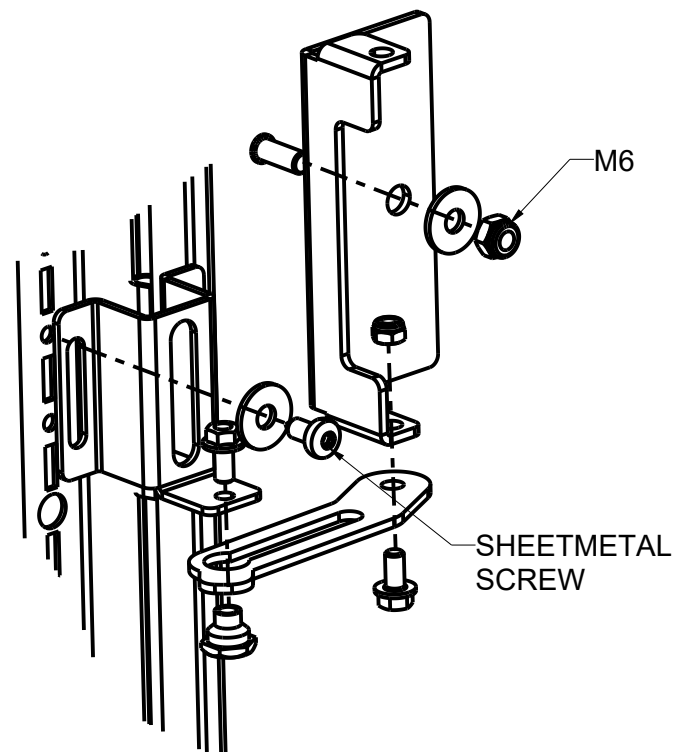
- G. (2X) WASHER
- H. M6 NUT
- I. SHEETMETAL SCREW
- J. (4X) M5 WASHER
- K. (2X) RUBBER SEALING WASHER
- L. (2X) M5 SS SCREW

1A. BOTTOM/TOP LOCATION WITH DOOR STIFFENER



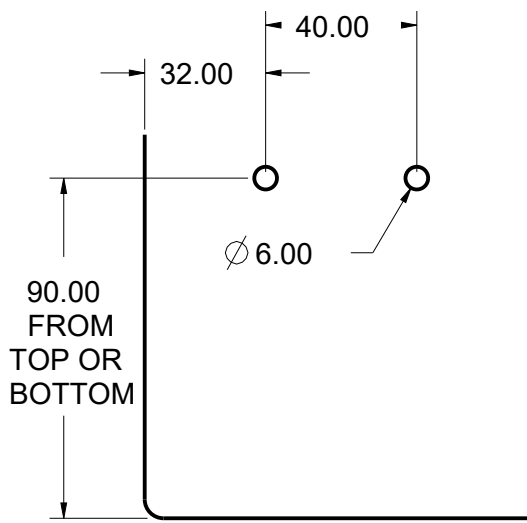
USE EXISTING STIFFENER SCREW WHERE NEEDED

1B. MIDDLE LOCATION WITH DOOR STIFFENER

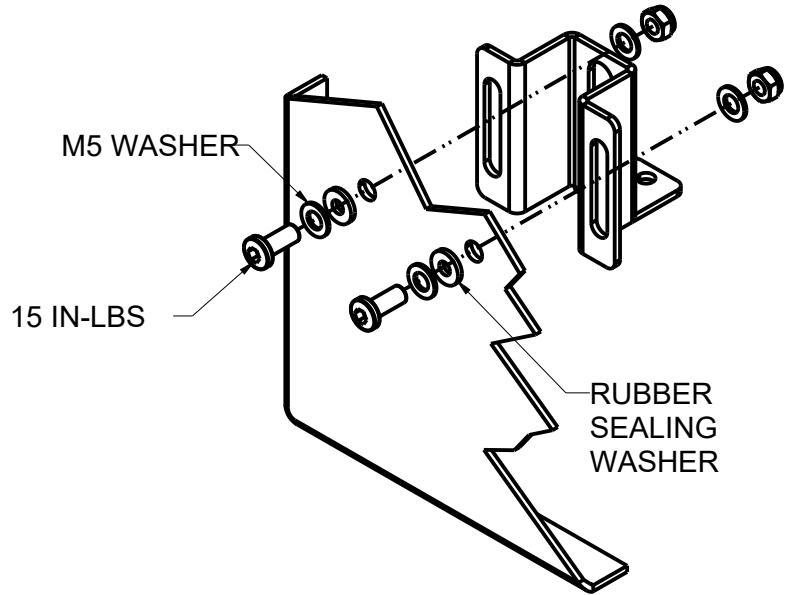


SHEETMETAL SCREW

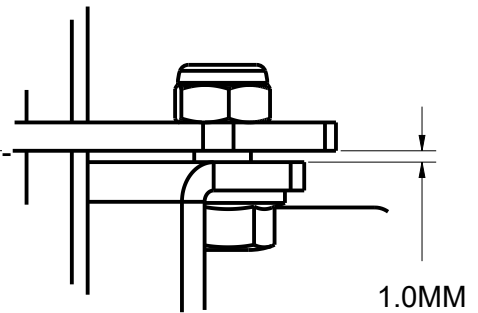
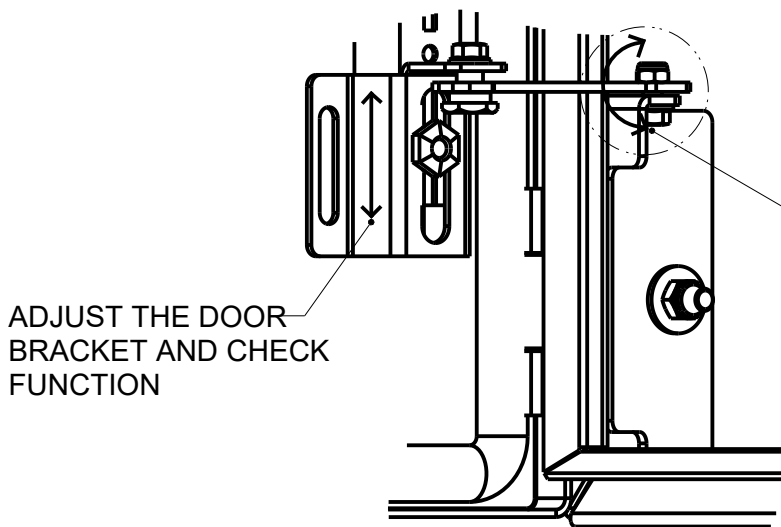
1C. NO STIFFENER



*DRILL HOLES IN DOOR
FOR DOOR BRACKET



2. FINAL ADJUSTMENTS



*LEAVE GAP TO ALLOW
SWING ARM TO PIVOT