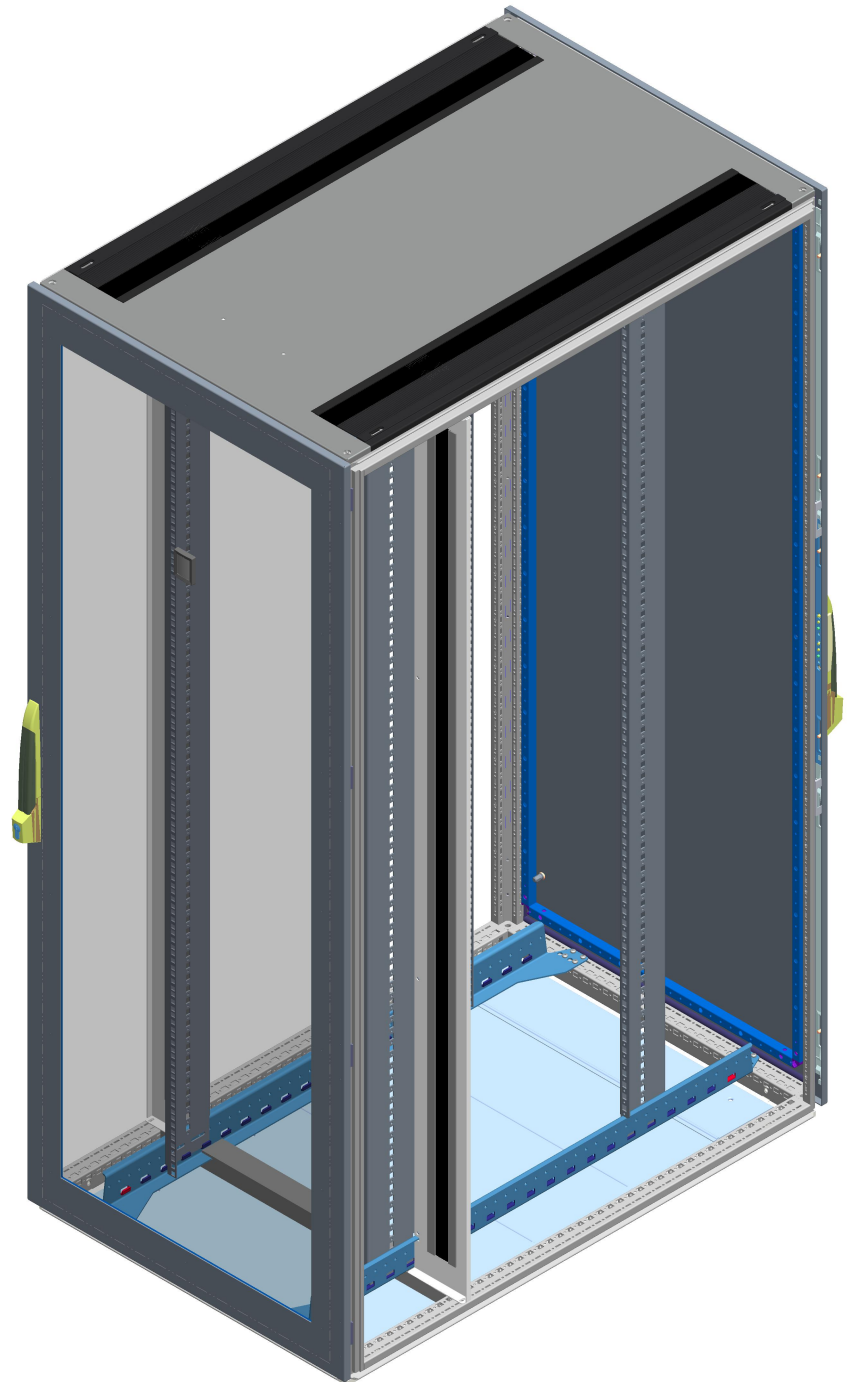


Rittal Specification Sheet



SKU Part Number:	9982308
SKU Revision:	A
Description:	TS IT Enclosure 2000H0800W1200D RAL 7035 NEMA 12
Weight:	[116] kg. (256 Lbs)
Material:	Mild Steel
Compliance:	RoHS REACH
Standards:	EIA-310- UL 2416



TS IT Enclosure 2000H0800W1200D	
PRODUCT NUMBER:	REV
9982308	A
RITTAL -LLC, US.	

ALL DIMENSIONS ARE REFERENCE ONLY

ENCLOSURES

POWER DISTRIBUTION

CLIMATE CONTROL

IT INFRASTRUCTURE

SOFTWARE & SERVICES

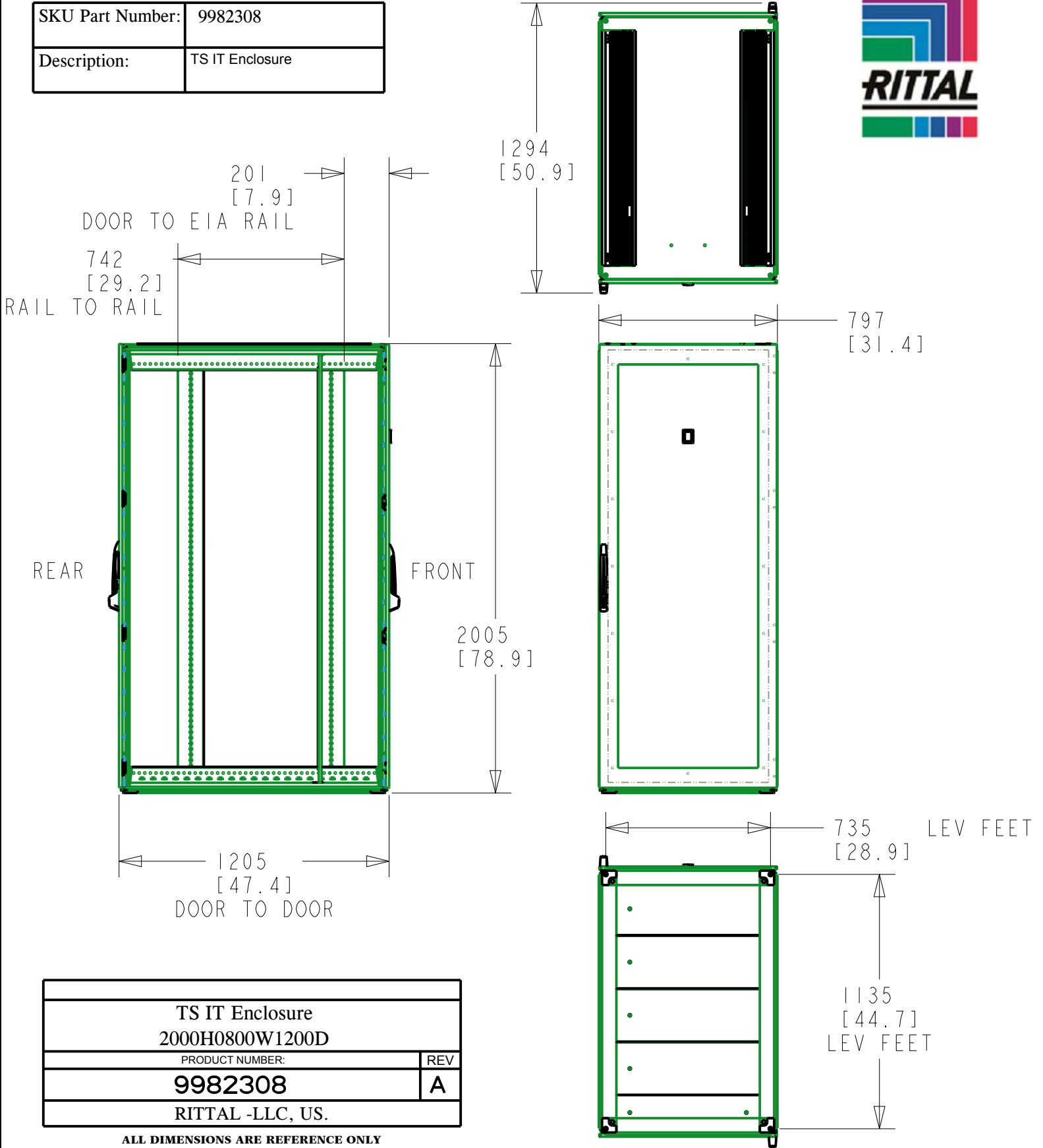
FRIEDHELM LOH GROUP

Sheet: 1 OF 3

Rittal Specification Sheet



SKU Part Number:	9982308
Description:	TS IT Enclosure



TS IT Enclosure	
2000H0800W1200D	
PRODUCT NUMBER:	REV
9982308	A
RITTAL -LLC, US.	

ALL DIMENSIONS ARE REFERENCE ONLY

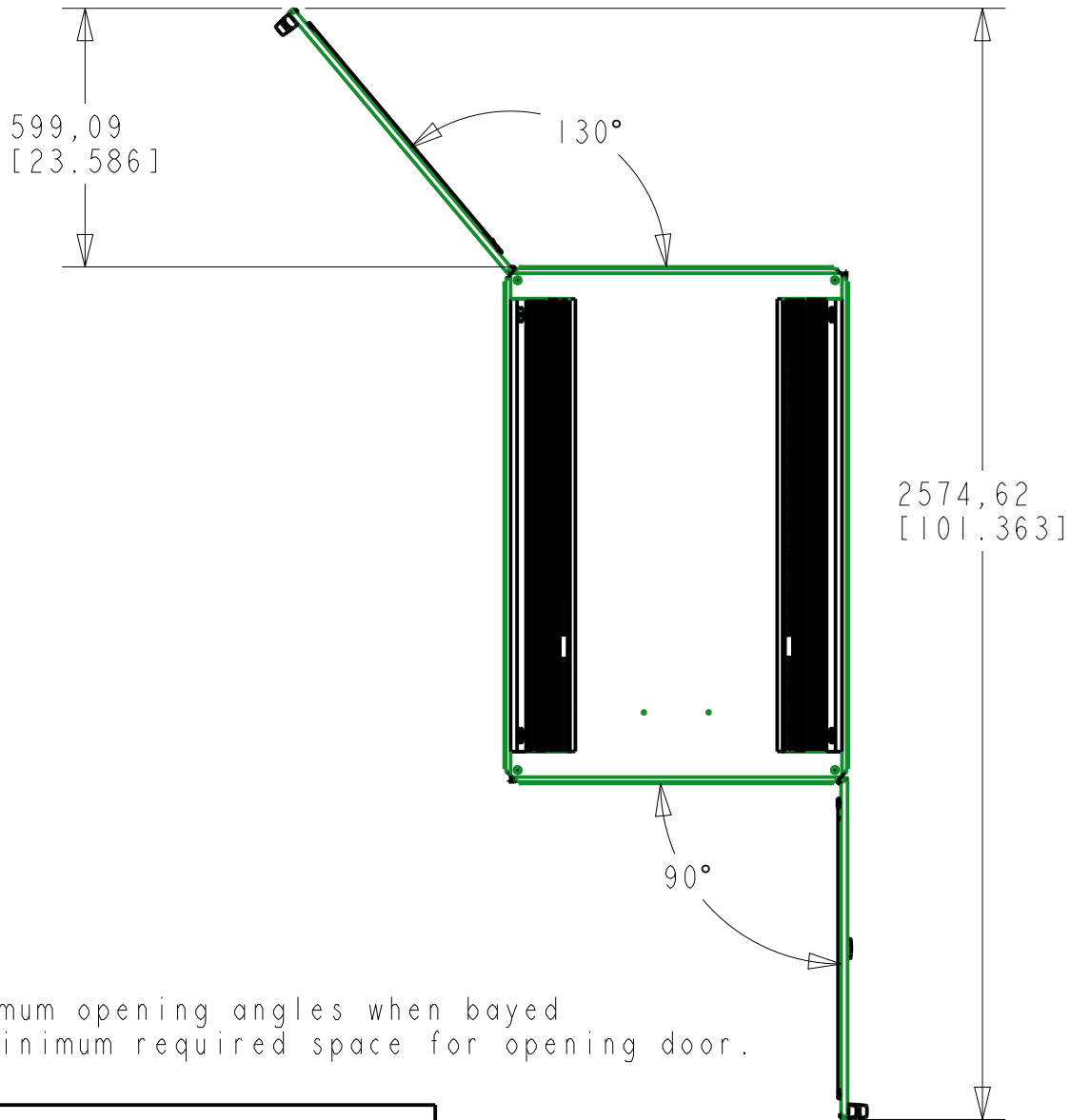


Rittal Specification Sheet



SKU Part Number:	9982308
Description:	TS IT Enclosure

Door opening detail



Door maximum opening angles when bayed showing minimum required space for opening door.

TS IT Enclosure 2000H0800W1200D	
PRODUCT NUMBER:	REV
9982308	A
RITTAL -LLC, US.	

ALL DIMENSIONS ARE REFERENCE ONLY

SCALE 0.060

ENCLOSURES

POWER DISTRIBUTION

CLIMATE CONTROL

IT INFRASTRUCTURE

SOFTWARE & SERVICES