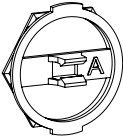




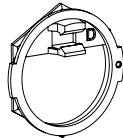
6x



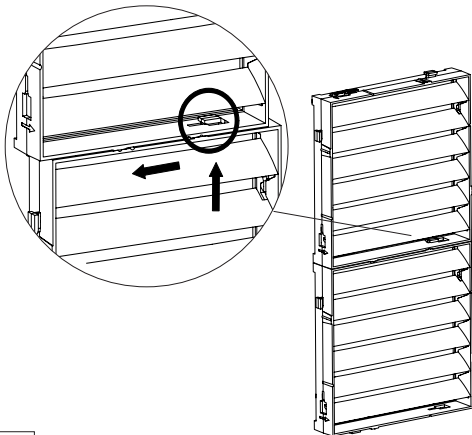
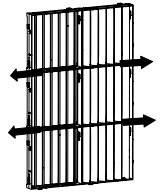
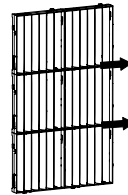
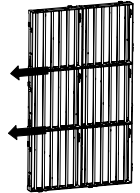
3x



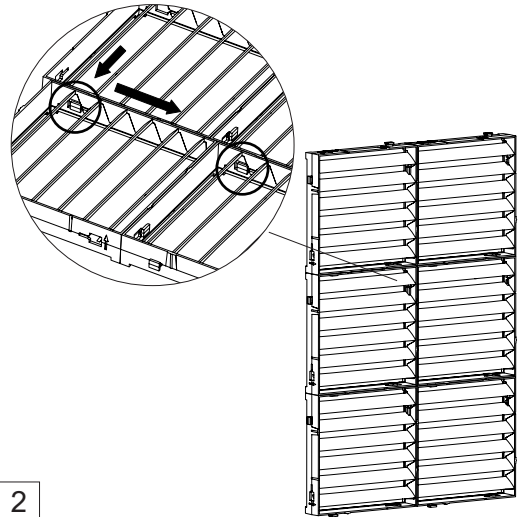
4x



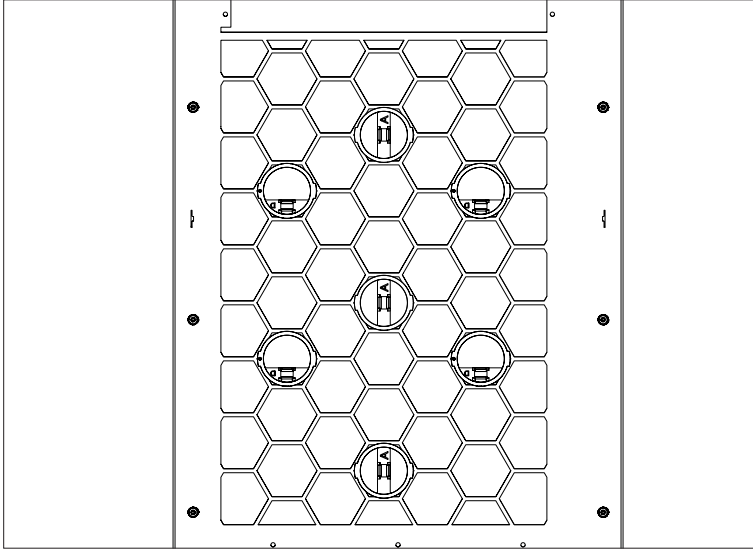
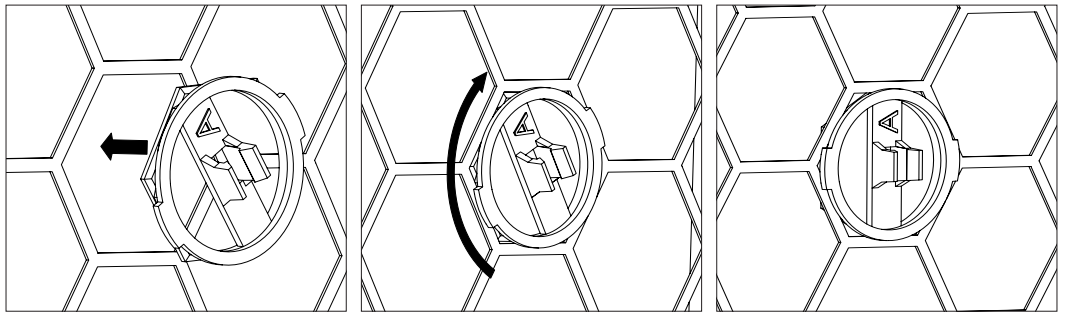
example for different mounting variants:



1

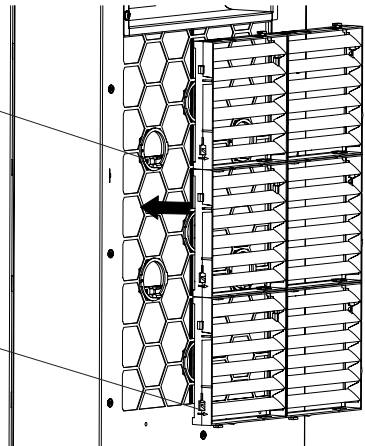
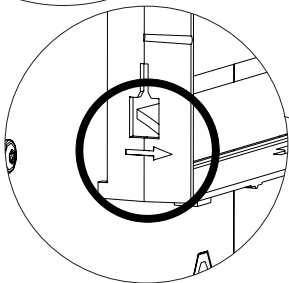
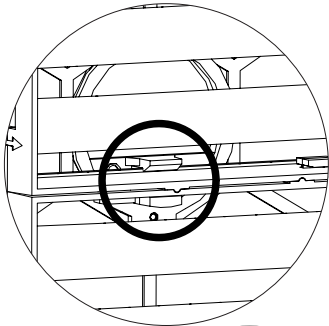


2



3

SK 3188.94x / SK 3188.640 / SK 3189.94x / SK 3189.640



4