

# Rittal – The System.

Faster – better – everywhere.



LCP Rack CW  
LCP Inline CW  
LCP Rack CWG  
LCP Inline CWG

3314.130/230/260  
3314.530/560  
3314.540/542  
3314.250/550/570  
3314.238/268  
3314.538/568  
3314.548

## Assembly and operating instructions

ENCLOSURES

POWER DISTRIBUTION

CLIMATE CONTROL

IT INFRASTRUCTURE

SOFTWARE & SERVICES

FRIEDHELM LOH GROUP



# Foreword

---

## Foreword

Dear Customer!

Thank you for choosing a Rittal Liquid Cooling Package (referred to hereafter also as "LCP").

This documentation applies to the following units in the LCP series:

- LCP Rack CW (global versions and NSA versions)
- LCP Inline CW (global versions and NSA versions)
- LCP Rack CWG (global versions)
- LCP Inline CWG (global versions)

Those sections where information only applies to one of the units are labelled accordingly in the documentation.

Please take the time to read this documentation carefully.

Please pay particular attention to the safety instructions in the text and to section 2 "Safety instructions".

This is the prerequisite for:

- secure assembly of the Liquid Cooling Package
- safe handling and
- the most trouble-free operation possible.

Please keep the complete documentation readily available so that it is always on hand when needed.

We wish you every success!

Your,  
Rittal GmbH & Co. KG

Rittal GmbH & Co. KG  
Auf dem Stützelberg

35745 Herborn, Germany  
Germany

Tel.: +49(0)2772 505-0  
Fax: +49(0)2772 505-2319

E-mail: [info@rittal.de](mailto:info@rittal.de)  
[www.rittal.com](http://www.rittal.com)

We are always happy to answer any technical questions regarding our entire range of products.

## Contents

<b>1</b>	<b>Notes on documentation</b>	<b>5</b>	<b>5</b>	<b>Assembly and siting</b>	<b>27</b>
1.1	CE labelling	5	5.1	General	27
1.2	Storing the documents	5	5.1.1	Installation site requirements	27
1.3	Symbols in these operating instructions	5	5.1.2	Prepare the room for installation of the LCP Inline Protruding and LCP Inline Flush	27
1.4	Other applicable documents	5	5.1.3	Installation regulations for the LCP Inline Protruding and LCP Inline Flush	28
1.5	Normative instructions	5	5.2	Assembly procedure with a VX IT server enclosure	29
1.5.1	Legal information concerning the operating instructions	5	5.2.1	General	30
1.5.2	Copyright	5	5.2.2	Dismantle the side panels	30
1.6	Software update	5	5.2.3	Seal the server enclosure	30
<b>2</b>	<b>Safety instructions</b>	<b>6</b>	5.2.4	Fit the rear adaptor on the LCP Inline	31
2.1	General safety instructions	6	5.2.5	Installation and baying of the Liquid Cooling Package	32
2.2	Safety instructions for transportation	6	5.2.6	Mounting the side panel	34
2.3	Safety instructions for assembly	6	5.2.7	Punch outs	35
2.4	Safety instructions for installation	6	5.3	Fan installation	36
2.5	Safety instructions for operation	6	5.3.1	Removing a fan module	36
2.6	Safety instructions for maintenance	7	5.3.2	Installing a fan module	37
2.7	Safety instructions on shutting down	7	5.4	Install the optional display (SK 3314.030)	39
2.8	Operating and technical staff	7	5.5	Installing the optional condensate pump (SK 3314.012)	39
2.9	Personal protective equipment	7	5.6	Positioning the pressure sensors	43
2.10	RoHS Compliance	7	<b>6</b>	<b>Installation</b>	<b>44</b>
2.11	IT safety instructions	7	6.1	Connecting the Liquid Cooling Package	44
2.11.1	Measures for products and systems	7	6.1.1	Electrical connection	44
<b>3</b>	<b>Device description</b>	<b>9</b>	6.1.2	Potential equalisation	48
3.1	General functional description	9	6.1.3	Cooling water connection	49
3.2	Control modes	10	6.1.4	Connecting the condensate discharge	52
3.2.1	General information	10	6.1.5	Bleeding the air from the heat exchanger	53
3.2.2	Inlet air temperature	10	6.2	Cooling operation and control characteristics	53
3.2.3	Delta-T mode	11	<b>7</b>	<b>Configuration</b>	<b>54</b>
3.2.4	External temperature sensor	11	7.1	General	54
3.3	Ambient conditions	11	7.2	HTTP connection	54
3.4	Air routing	14	7.2.1	Making the connection	54
3.4.1	General	14	7.2.2	Changing the network settings	54
3.4.2	LCP Rack	14	7.2.3	Changing the measurement units	55
3.4.3	LCP Inline Protruding and LCP Inline Flush	15	7.2.4	LCP configuration	55
3.5	Equipment assembly	16	7.2.5	Settings	59
3.5.1	Schematic design	16	<b>8</b>	<b>Operation</b>	<b>60</b>
3.5.2	Unit components	16	8.1	Description of operating and display components	60
3.5.3	Air/water heat exchanger	18	8.1.1	Control unit hardware for the Liquid Cooling Package	60
3.5.4	Fan module	18	8.2	Description of operation	61
3.5.5	Water module with cold water connection	18	8.2.1	General	61
3.6	Proper and improper usage	19	8.2.2	Acknowledging messages	62
3.7	Supply scope of a Liquid Cooling Package	19	8.2.3	Operation in stand-alone mode	62
3.8	Unit-specific instructions	20	8.2.4	Automatic door opening, LCP Rack	69
3.8.1	Creation of redundancy in the LCP Rack	20	8.3	Extended options by connecting the Liquid Cooling Package to a network	70
3.8.2	Dewpoint control	21	8.4	General operation	70
3.9	Type code	21	8.4.1	Layout of screen pages	70
3.9.1	Meaning of the digits in the type code	21	8.4.2	Navigation area in left-hand section	71
3.9.2	Standard versions	22			
<b>4</b>	<b>Transportation and handling</b>	<b>24</b>			
4.1	Transportation	24			
4.2	Unpacking	24			

# Contents

---

8.4.3	Index tabs in the configuration area .....	71	16.7	Declaration of Conformity.....	139
8.4.4	Message display .....	71	17	Preparation and maintenance of the cooling medium .....	140
8.4.5	Other displays .....	72	18	Frequently Asked Questions (FAQ)	141
8.4.6	Changing parameter values .....	73	19	Glossary .....	148
8.4.7	Logging off and changing the password .....	74	20	Customer service addresses .....	149
8.4.8	Reorganising the connected components .....	74			
8.5	Monitoring index tab .....	75			
8.5.1	Device .....	76			
8.5.2	Air Temperature .....	76			
8.5.3	Fans .....	76			
8.5.4	Coolant .....	77			
8.5.5	Valve .....	78			
8.5.6	Cooling Capacity .....	78			
8.5.7	Leakage Sensor .....	79			
8.5.8	Condensate .....	79			
8.5.9	Setup .....	79			
8.5.10	Operating Data .....	79			
8.5.11	Remote .....	80			
8.5.12	Features .....	81			
8.6	Configuration index tab .....	83			
8.7	Door Opening .....	84			
8.8	Tasks .....	84			
9	Updates and data backup .....	86			
10	Troubleshooting .....	87			
10.1	General faults.....	87			
10.2	Messages on the display.....	88			
11	Inspection and maintenance .....	89			
12	Storage and disposal .....	90			
13	Technical specifications .....	91			
13.1	Global versions .....	91			
13.1.1	Output class 30 kW .....	91			
13.1.2	Output class 35 kW .....	92			
13.1.3	Output class 44 kW .....	92			
13.1.4	Output class 53 kW .....	93			
13.2	NSA versions .....	93			
13.2.1	Output class 30 kW .....	93			
13.2.2	Output class 53 kW .....	94			
14	Spare parts .....	96			
15	Accessories .....	97			
16	Further technical information .....	99			
16.1	Information concerning the filling and additive water .....	99			
16.2	Characteristic curves.....	100			
16.2.1	Pressure loss .....	105			
16.3	Overview drawings.....	107			
16.4	Circuit diagram.....	115			
16.4.1	Global version .....	115			
16.4.2	NSA version .....	126			
16.5	Wiring diagram and pin assignment .....	137			
16.5.1	Global version connection diagram .....	137			
16.5.2	NSA version connection diagram .....	137			
16.5.3	Pin assignment .....	138			
16.6	Water circulation diagram.....	138			

## 1 Notes on documentation

### 1.1 CE labelling

Rittal GmbH & Co. KG confirms the conformity of the cooling unit with the European Union's Machinery Directive 2006/42/EC and EMC Directive 2014/30/EU. A corresponding declaration of conformity has been issued, you can find it in section 16.7 "Declaration of Conformity". These are the original operating instructions.

The cooling unit bears the following mark.



### 1.2 Storing the documents

The assembly and operating instructions as well as all applicable documents are integral components of the product. They must be handed out to those persons who are engaged with the unit and must always be available and on hand for operating and maintenance personnel.

### 1.3 Symbols in these operating instructions

The following symbols are found in this documentation:



#### **Danger!**

**Hazardous situation which causes death or serious injury if the instructions are not followed.**



#### **Warning!**

**Hazardous situation which may lead to death or serious injury if the instructions are not followed.**



#### **Caution!**

**Hazardous situation which may lead to (minor) injuries if the instructions are not followed.**



#### **Note:**

Information concerning individual procedures, explanations, or tips for simplified approaches. Also indicates situations which may result in material damage.

- This symbol indicates an "Action Point" and shows that you should carry out an operation/procedure.

### 1.4 Other applicable documents

In conjunction with these assembly and operating instructions, the superordinate system documentation (if available) also applies.

Rittal GmbH & Co. KG is not responsible for any damage which may result from failure to comply with these assembly and operating instructions. The same applies to failure to comply with the valid documentation for accessories used.

### 1.5 Normative instructions

#### 1.5.1 Legal information concerning the operating instructions

We reserve the right to make changes in content. Rittal GmbH & Co. KG will not be held liable for any mistakes in this documentation. Liability for indirect damages which occur through the delivery or use of this documentation is excluded to the extent allowable by law.

#### 1.5.2 Copyright

The distribution and duplication of this document and the disclosure and use of its contents are prohibited unless expressly authorised.

Offenders will be liable for damages. All rights created by a patent grant or registration of a utility model or design are reserved.

### 1.6 Software update

These instructions apply to software version V8.23.00.

This documentation shows the English screenshots. The descriptions of individual parameters on the Liquid Cooling Package website also use the English terminology. Depending on the set language, the displays on the Liquid Cooling Package website may be different (see assembly and operating instructions for the IoT Interface 3124.300).

# 2 Safety instructions

## 2 Safety instructions

The Liquid Cooling Packages produced by Rittal GmbH & Co. KG are developed and produced with due regard to all safety precautions. Nevertheless, the unit still causes a number of unavoidable dangers and risks. The safety instructions provide you with an overview of these dangers and the necessary safety precautions.

In the interest of your safety and the safety of others, please read these safety instructions carefully before assembly and commissioning of the Liquid Cooling Package.

Follow the user information found in these instructions and on the unit carefully.

### 2.1 General safety instructions

Please observe the following general safety instructions.

- Always wear the required personal protective equipment when working on this device (see section 2.9 "Personal protective equipment").
- Please do not make any changes to the LCP that are not described in these operating instructions or other applicable assembly and operating instructions.
- The LCP should only be combined and operated with the prescribed Rittal system accessories.
- Other than these general safety instructions, it is also vital to observe the specific safety instructions when carrying out the tasks described in the following chapters.

### 2.2 Safety instructions for transportation

- There is a risk of injury from falling loads. Do not stand under suspended loads when transporting the unit with a hoist trolley, a forklift, or a crane.
- There is a risk of injury due to the device tipping over once the fastening screws on the pallet have been loosened. Wear personal protective equipment (PPE)!
- There is a risk of injury when cutting through the pre-tensioned tightening straps. Wear personal protective equipment (PPE)!
- There is a risk of injury due to the heavy weight of the device. Please observe the maximum permissible weight to be lifted by one person. Use suitable lifting devices, if needed.

### 2.3 Safety instructions for assembly

- Have the devices installed by qualified specialists trained by Rittal.
- There is a risk of injury from the device tipping over. The LCP can tip over when it is in the upright position if it is not connected to a server rack. Have a second person secure the unit in an upright position.
- There is a risk of injury if the device is mounted on a base/plinth or if the levelling feet are adjusted. Wear personal protective equipment (PPE)!
- There is a risk of people becoming jammed between the server rack and the LCP during installation. Make sure that no person's limbs are in the danger area

when the enclosures are bayed. Wear personal protective equipment (PPE)!

- There is a risk of injury from the baying connectors when the components are being screwed together. Wear personal protective equipment (PPE)!

### 2.4 Safety instructions for installation

- There is a risk of crushing when the containment system is inserted into the server enclosure. Wear personal protective equipment (PPE)!
- There is a risk of becoming trapped and cut when screwing on and sealing the coolant lines. Wear personal protective equipment (PPE)!
- Following installation, ensure that the coolant lines do not restrict the flow of air through the device.
- There is a danger of electric shock when installing the condensate pump! Before starting work, completely switch off the LCP at the main switch and prevent it from being switched on again inadvertently.
- When installing the condensate pump, there is the risk of injury caused by sharp edges inside the LCP. Wear personal protective equipment (PPE)!
- Ensure that all the hoses are correctly installed to prevent unwanted water from entering the device when installing the condensate pump.
- When installing the display, there is a risk of injury from sharp edges inside the LCP. Wear personal protective equipment (PPE)!
- There is a danger of electric shock when installing fan modules! Before starting work, switch off the electronic module assigned to the fan.
- When installing fan modules, there is a risk of injury from sharp edges inside the LCP. Wear personal protective equipment (PPE)!
- Work on electrical systems or equipment may only be carried out by an electrician or by trained personnel guided and supervised by an electrician. All work must be carried out in accordance with electrical engineering regulations.
- Use only insulated tools. Wear personal protective equipment.
- The voltage values shown in the wiring plan or on the rating plate must match the mains voltage.
- Incorrect assembly and installation may lead to the risk of condensation forming in the device, which can lead to an electrical short circuit or to leaks of liquid.

### 2.5 Safety instructions for operation

- Risk of malfunction or damage! Do not modify the unit! Use only original spare parts!
- There may be an increased noise level when the LCP is in operation, especially when the device is operated directly on the display. Wear personal protective equipment (PPE)!
- Proper and flawless unit operation can only be ensured when it is operated under the intended ambient conditions. As far as possible, be sure that the ambi-

ent conditions for which the unit is designed are complied with, e.g. temperature, humidity, air purity.

- The medium necessary for the control system, i.e. cooling water, must be available throughout the entire operating time.
- If leaks occur, there is the risk of injury caused by escaping refrigerant, in particular glycol. Wear personal protective equipment, collect any escaped refrigerant with suitable cloths or absorbent materials, and rectify the leakage cause without delay.
- Injury caused by fan impellers! Keep persons and objects away from the fan impellers! Do not remove covers until the power supply is disconnected and impellers are not moving! Always use mechanical protection when working! Shut down the respective fan during maintenance work, if possible! Tie long hair back! Do not wear loose clothing! Fans start up automatically following power disruptions!

### 2.6 Safety instructions for maintenance

- Danger of cut injuries, especially from the sharp edges of the heat exchanger! Put on personal protective equipment before beginning assembly or cleaning work!
- When removing and installing a fan, there is the risk of injury caused by sharp edges inside the LCP, high air speeds and noise. Wear personal protective equipment (PPE)!
- Always read the relevant safety data sheet when working with the cooling medium.

### 2.7 Safety instructions on shutting down

- During storage and transportation below freezing point, the water circuit should be drained completely using compressed air!

### 2.8 Operating and technical staff

The installation, commissioning, maintenance and repair of this unit may be performed only by qualified specialists trained by Rittal.

Only properly instructed personnel may perform service on a unit while in operation.

### 2.9 Personal protective equipment

Personal protective equipment, which should as a minimum include waterproof protective gloves and safety goggles, must be worn during any work on the unit when personnel might come into contact with refrigerant (for deployment of a water-glycol mixture).

Personal protective equipment (PPE) must be worn, especially during assembly, installation and maintenance of the device. This PPE must – as a minimum – consist of cut-resistant gloves and safety shoes.

We also recommend the wearing of suitable ear muffs and a hair net when working near the unit.

For all work on the LCP, in particular on the outlet side, wearing safety goggles is recommended to prevent eye injuries caused by the high air speeds.

### 2.10 RoHS Compliance

The LCP fulfils the requirements of EU directive 2011/65/EC on the Restriction of Use of Certain Hazardous Substances in Electrical and Electronic Equipment (RoHS 2) of 08 June, 2011.



Note:

Corresponding information concerning the RoHS directive is provided by our firm on the Internet at [www.rittal.com/RoHS](http://www.rittal.com/RoHS).

### Safety notice according to Regulation (EC) No. 1907/2006

The product contains the following SVHC substances:

SVHC substance	CAS No.
4,4'-isopropylidene diphenol	80-05-7
Lead	7439-92-1
Cadmium	7440-43-9
Mercury	7439-97-6
Lead titanium trioxide	12060-00-3
Lead monoxide (lead oxide)	1317-36-8
Diboron trioxide	1303-86-2

Tab. 1: SVHC substance

According to the manufacturer, there are no health risks if the product is used properly.

After use, the product must be properly disposed of in accordance with the applicable legal regulations.

### 2.11 IT safety instructions

To ensure the availability, confidentiality and integrity of data, products, networks and systems must be protected against unauthorised access.

Such protection can be achieved only with organisational and technical measures. To satisfy the increased safety requirements, Rittal recommends the observance of the following measures. Furthermore, more detailed information can be found on the websites of Bundesamt für Sicherheit in der Informationstechnik (Federal Office for IT Security – BSI).

#### 2.11.1 Measures for products and systems Embed products and systems not in public networks

- Make sure that the system is only operated in protected networks.

## 2 Safety instructions

---

### **Configure the firewall**

- To protect your networks, and the embedded products and systems against external effects, configure a firewall.
- Also deploy a firewall for segmentation of a network or to isolate a controller.

### **Consider defence-in-depth mechanisms during the planning phase**

- Consider defence-in-depth mechanisms for your system planning.
- Defence-in-depth mechanisms cover several levels of mutually coordinated security measures.

### **Restrict access authorisations**

- Restrict access authorisations to networks and systems to only persons that need an authorisation.

### **Protect accesses**

- Do not use the default passwords; instead, use secure, long passwords containing numbers, a mix of upper case and lower case letters, symbols and no repetitions.
- Create random passwords with a password manager.

### **Deploy the current firmware version**

- Ensure that the current Rittal firmware is deployed on all devices.
- The firmware can be downloaded from the associated product pages in the Internet.
- Observe the associated Release Notes for new firmware versions.

### **Deploy current security software**

- To identify and eliminate security threats, such as viruses, trojans and other malicious software, security software should be installed on all PCs and kept up-to-date.
- Deploy whitelist tools to monitor the device context.
- Deploy an intrusion-detection system to validate the communication of your system.

### **Perform regular threat analyses**

- Rittal recommends that you perform regular threat analyses.
- The threat analyses allow you to determine whether your adopted measures are effective.

### **Protect USB ports against access**

- USB ports must be protected against physical access. Ensure that no unauthorised persons have access to USB ports.
- Sensitive data can be read for an unauthorised access to USB ports.



## 3 Device description

### 3.1 General functional description

The Liquid Cooling Package is essentially an air/water heat exchanger that is used to dissipate high heat losses from server enclosures or for the effective cooling of devices built into a server enclosure.

The air routing in the Liquid Cooling Package supports the "front to back" cooling principle of the devices built into the server enclosure. The hot air expelled by the devices in the server enclosure is drawn in by the fans at the rear directly from the server enclosure (LCP Rack) or from the hot aisle (LCP Inline Protruding and LCP Inline flush) and thus routed through the heat exchanger module.

In the heat exchanger module, the heated air is directed through an air/water heat exchanger, and its thermal energy (heat losses from the server) is transferred to a cold water system. As a result, the air is cooled to a freely selectable temperature within the authorised parameters and then routed directly in front of the 482.6 mm (19") level in the server enclosure (LCP Rack) or into the cold aisle (LCP Inline Protruding and LCP Inline Flush).

A different heat exchanger is installed in the CWG (CWG = Chilled Water Glycol) units than in the CW (CW = Chilled Water) units. This heat exchanger is specially designed for operation with the water-glycol mixture (Anti-frogen-N) and for the lower specific heat capacity of the mixture compared with pure water so that a high cooling capacity is also achieved. The heat exchangers of the CWG units must be constructed so they produce relatively high water return temperatures (large Delta-T) and so allow the efficient deployment of a downstream heat pump. As standard, the CWG units are only equipped with an impact surface spray eliminator.

In its delivered state, the LCP Inline expels the cold air on both sides. By fitting a side panel or partition, this can be restricted to one side only.

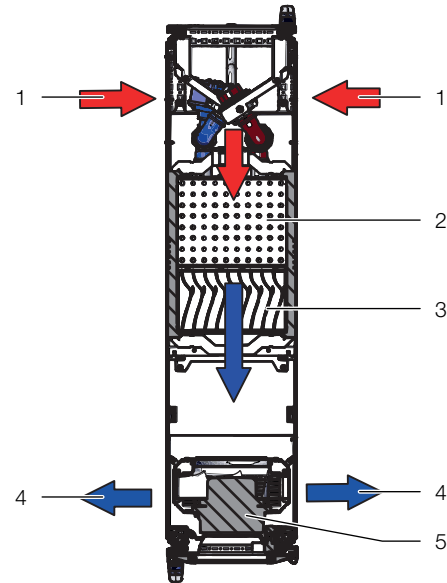


Fig. 1: Air routing on the LCP Rack – top view

#### Key

- 1 Air inlet
- 2 Heat exchanger
- 3 Impact surface spray eliminator (standard for CWG devices)
- 4 Air outlet
- 5 Fan module

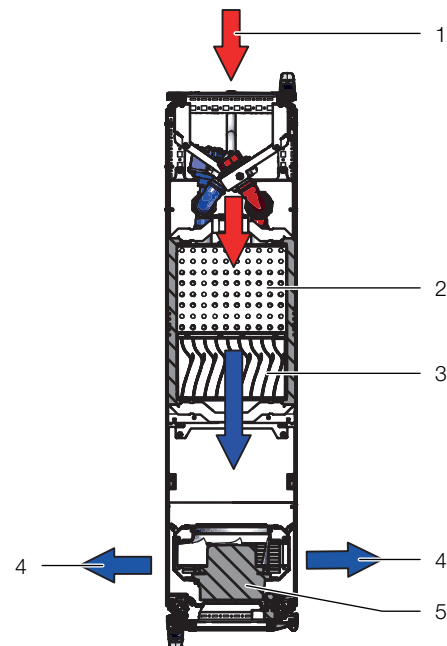


Fig. 2: Air routing on the LCP Inline Protruding – top view

#### Key

- 1 Air inlet
- 2 Heat exchanger
- 3 Impact surface spray eliminator (standard for CWG devices)
- 4 Air outlet
- 5 Fan module

# 3 Device description

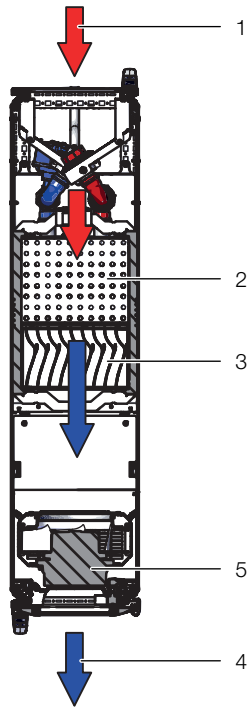


Fig. 3: Air routing on the LCP Inline Flush – top view

**Key**

- 1 Air inlet
- 2 Heat exchanger
- 3 Impact surface spray eliminator (standard for CWG devices)
- 4 Air outlet
- 5 Fan module

Any condensate resulting in CWG units is collected in the condensate tray integrated in the water module of the Liquid Cooling Package, and from there it is routed outside via a condensate water discharge hose.

**Note:**  
 The water inlet temperature for the CW units must always be chosen (controlled) so that it always lies above the dew point for the prevailing ambient temperature and humidity in the data centre. The dew point can be found in the Mollier h-x diagram (fig. 6).  
 Furthermore, we advise compliance with the ASHRAE standard "ASHRAE TC 9.9, 2011 Thermal Guidelines for Data Processing Environments".

## 3.2 Control modes

### 3.2.1 General information

The Liquid Cooling Package can be operated in various, optional control modes depending on the deployment condition:

- Inlet air temperature (Auto IT supply): The server inlet temperature (cold air) serves as a reference variable. The water flow and the fan speed are controlled to provide the required cooling capacity.

- Delta-P mode (optional): If the fan speed is controlled according to the pressure difference, the pressure in front of and behind the enclosure's built-in devices is ascertained.  
 The determined value is compared with the set setpoint for the pressure difference to determine the fan speed.
- Delta-T mode: The setpoint temperature of the water return serves as reference variable. The server inlet temperature (cold air) can vary within the specified, settable limits.
- Manual control: The water flow and the fan speed are specified manually. The set parameters serve as reference variables.
- Remote operation: The water flow and the fan speed are specified by an external software system. The external parameter changes serve as reference variables.

**Note:**  
 Rittal cannot accept any liability for damage and consequential damage caused by improper parameter settings.

- Dew point control: In this mode, the pre-installed temperature/humidity sensor monitors the temperature to humidity ratio. If the dew point is undershot, the fan speed is increased for a specified time.

**Note:**  
 The dew point control may be activated only for units with integrated impact surface spray eliminator (CWG units, possibly customer-specific units).

### 3.2.2 Inlet air temperature

The temperature of the cold air intake is controlled via constant comparison of the actual temperature with the setpoint temperature set on the Liquid Cooling Package (preset +24 °C).

If the server-in temperature exceeds the setpoint temperature, the control valve in the cooling water system opens (linear opening from 0 – 100%), and the heat exchanger is supplied with cold water.

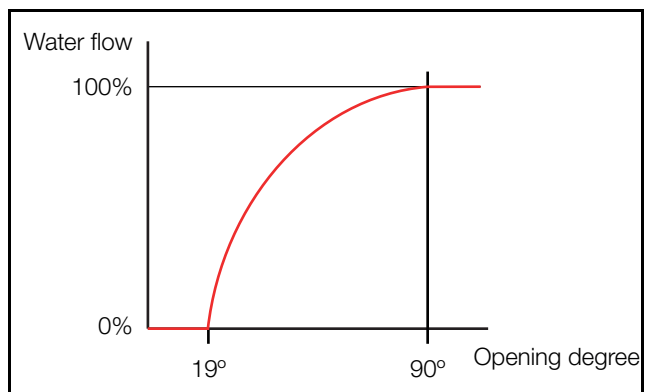


Fig. 4: Opening degree of the control valve

If the difference "server inlet temperature – setpoint value"

- is less than 0: the control valve is further closed.
- is greater than 0: the control valve is further opened.
- is equal to 0: the control valve retains its opening degree.

The temperature differential between the setpoint and the warm air that is drawn is used to determine and set the fan speed. The control unit attempts to keep the air temperature constant in front of the 482.6 mm (19") level (LCP Rack) or in the cold aisle (LCP Inline Protruding and Inline Flush) by activating the control valve.



Note:

The inner construction of the regulating control valve means the actual opening point lies at 19%.

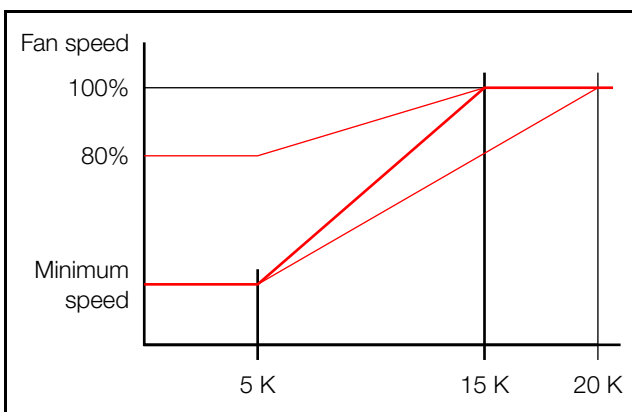


Fig. 5: Fan control

- The lower limit of the Delta-T value can be set in the range between 0 K...20 K.
- The upper limit of the Delta-T value can be set in the range between 3 K...40 K.
- The lower speed value can be set in the range between the minimum speed and 40% of the maximum speed.

### 3.2.3 Delta-T mode

In Delta-T mode, the water return temperature is controlled to the preset setpoint.

This is done by varying the water quantity and changing the inlet air temperature (cold air) within the set limits.

If control within the set values is not possible, the unit switches to controlling the inlet air temperature (see section 3.2.2 "Inlet air temperature").

### 3.2.4 External temperature sensor

The virtual device "LCP Temperature Controller" is used to transmit an external temperature value to the LCP CW VX. This value overwrites the input variable for the control valve in automatic mode.

### Procedure

- Install an external sensor, such as 7030.110, in the cold aisle and connect to the climate controller. The control valve control should be set to "Automatic".
- Create a virtual device.
- Select the temperature sensor.
- Confirm the device message, e.g. using the "SET" key. The value measured by the external temperature sensor is used as the input variable for the valve.



Note:

In the LCP, active control is displayed in the visualisation and in the device tree.

### 3.3 Ambient conditions

The Liquid Cooling Package is used to dissipate the thermal load generated by IT equipment and prevent the installation site of the IT equipment from overheating. If IT systems are operated at excessive ambient temperatures, this may lead to malfunctions and restricted operation of the system. The correct system temperature is based on manufacturer-specific information. The Liquid Cooling Packages only dissipate the thermal loads from the IT equipment, but not the thermal loads produced by lighting and other heat sources; these must be dissipated by other air-conditioning systems. In data centres, the air-conditioning systems are responsible for air quality. Where defined requirements apply to relative humidity at the installation site for the operation of IT equipment, the most efficient way of achieving this is via the air-conditioning system.

Depending on the ambient conditions, generally speaking it is advisable to regulate the intake air supplied to the data centre via an air-conditioning system. This prevents the formation of condensation on the heat exchanger due to an excessively hot or damp air supply to the data centre. If it is imperative to work with inlet temperatures below the dew point, the fresh air supply must likewise be regulated via an air-conditioning system.

If there is a central air-conditioning system for basic climate control installed in the data centre, when planning an LCP cooling system to dissipate the thermal loads, the following information must be available:

- Relative humidity of the room air (intake air) in %
- Room air temperature (intake air temperature) in °C
- Cold water system temperature (where available)



Note:

ASHRAE (American Society of Heating, Refrigerating and Air-Conditioning Engineers) recommends server intake air temperatures of between 18 °C and 27 °C. The selected server intake air temperature should be agreed with the manufacturer of the IT equipment and the operator at the project planning stage.

## 3 Device description

---

Based on the prescribed conditions, please use the Mollier h-x diagram to check whether cooling at the prescribed cold water temperature will fall below the dew point (fig. 6 "Mollier h-x diagram for humid air").



Note:

To obtain support, contact Rittal.

---

3

The blue markings in the Mollier h-x diagram give an example of how to calculate the dew point for the following conditions:

- Room temperature: 22 °C
- Relative humidity: 50%

This produces a dew point of 11 °C.

### **Sensitive and latent cooling output**

If the surface temperature of the heat exchanger in the Liquid Cooling Package is below the dew point, condensation will form on the heat exchanger. This leads to cooling capacity losses, because the energy is sometimes used for condensation (latent cooling capacity).

If, however, when working with cold water temperatures where the surface temperature of the heat exchanger is above the dew point, the energy is used only to cool the server supply air (sensitive cooling capacity).

Section 6.1.3 "Cooling water connection" describes a tried-and-tested hydraulic circuit which quickly and easily supplies the required volume of water at the correct temperature.

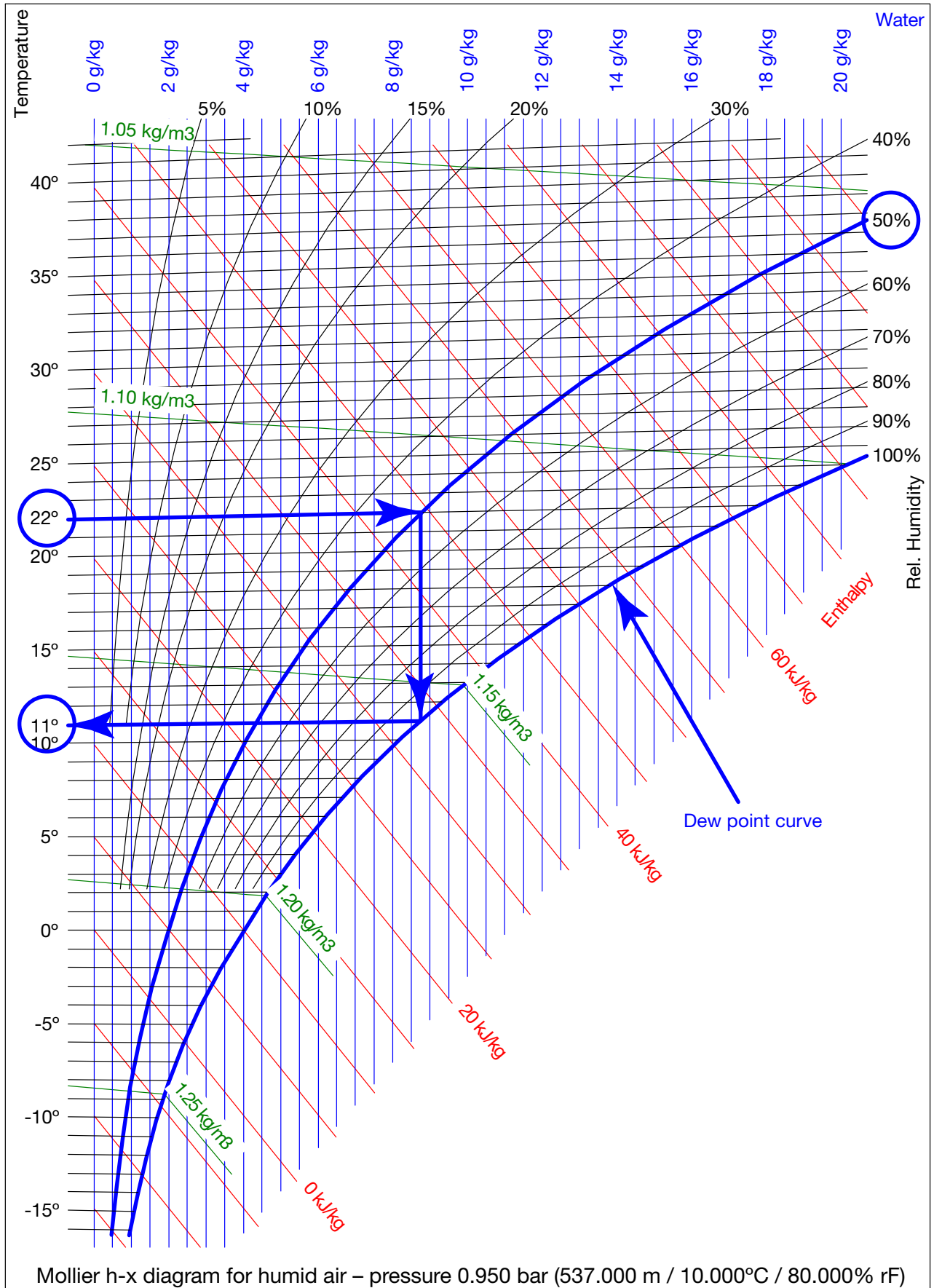


Fig. 6: Mollier h-x diagram for humid air

## 3 Device description

### 3.4 Air routing

#### 3.4.1 General

In order to achieve sufficient cooling in the server enclosure, it is important to ensure that the cooling air passes through the interior of the built-in units and is unable to flow past at the sides.

Targeted air routing in the server enclosure has a major effect on the heat loss to be dissipated.

In order to ensure targeted air routing in the system, the server enclosure should be divided vertically into warm air and cold air sections. The division is accomplished in the front section of the server assembly to the left and right of the 482.6 mm (19") level using foam strips or air baffle plates which, depending on the enclosure width and the number of server enclosures to be cooled, can be ordered as an accessory (see section 15 "Accessories").

If devices which require sideways air throughput are built into the server enclosure (e.g. switches, router, etc.), these may be cooled through targeted placement of the foam strips or air baffle plates.

**Note:**



The 482.6 mm (19") level must likewise be completely sealed. This is already the case in a fully equipped server enclosure. If the server enclosure is partially equipped, the open height units (U) of the 482.6 mm (19") level must be sealed with blanking plates, which are available from Rittal Accessories (see section 15 "Accessories").

As more devices are installed in the server enclosure, it becomes even more important to follow this specification.

#### 3.4.2 LCP Rack

The LCP Rack may be bayed on the right or left of a server enclosure, according to preference.

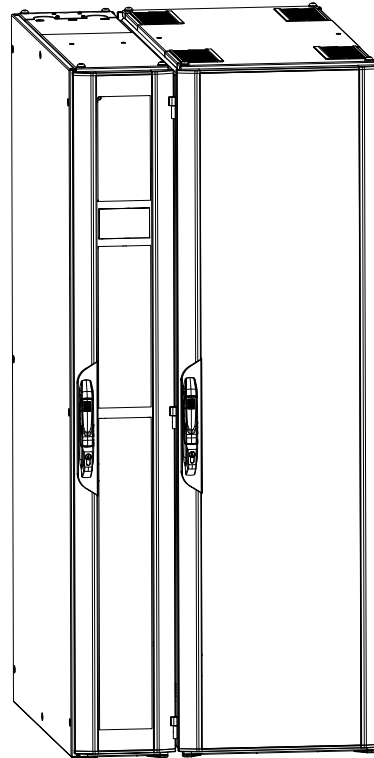


Fig. 7: LCP Rack on a server enclosure

The LCP Rack may also be bayed between two server enclosures.

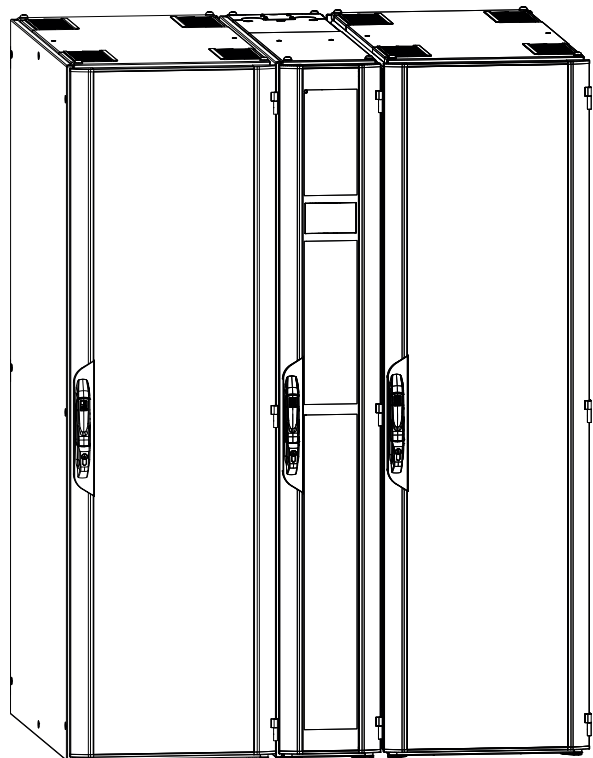


Fig. 8: LCP Rack on two server enclosures

Together with the bayed server enclosure, the LCP Rack forms an airtight cooling system with horizontal air rout-

ing. Depending on the ambient conditions, the surfaces of the housing dissipate up to approx. 5% of the complete heat energy to the environment. This cannot be avoided for physical reasons.

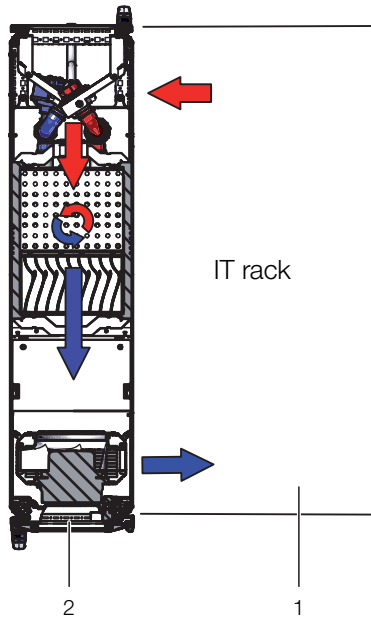


Fig. 9: Air routing with a bayed server enclosure – top view

**Key**

- 1 Server enclosure
- 2 LCP Rack

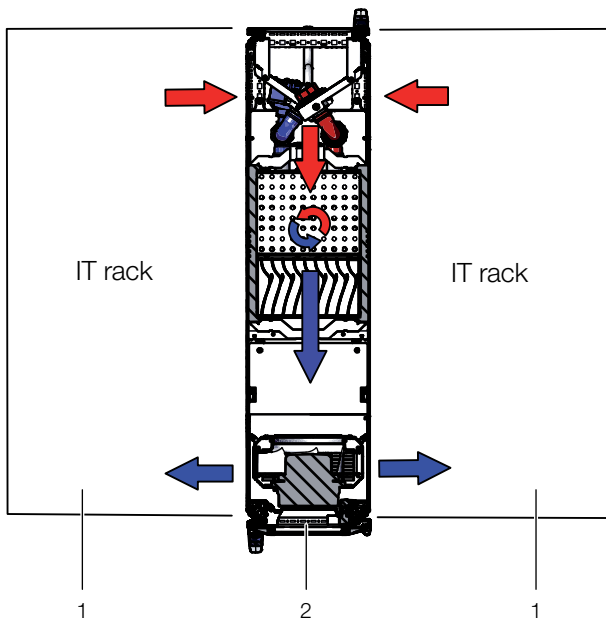


Fig. 10: Air routing with two bayed server enclosures – top view

**Key**

- 1 Server enclosure
- 2 LCP Rack

The system consisting of the LCP Rack and the server enclosure should be sealed as effectively as possible in order to prevent the loss of cooling air. To accomplish this, the enclosure is equipped with side panels, roof and

gland plates. Any existing cable entries should be sealed e.g. using suitable brush strips.

Whilst the system is in operation, both the front and the rear doors should be kept completely shut.



**Note:**

However, the system does not need to be completely airtight, thanks to the high, coordinated volumetric airflows of the server and LCP fans.

### 3.4.3 LCP Inline Protruding and LCP Inline Flush

Targeted air routing by hot air extraction from the hot aisle and cold air blown into the cold aisle has a fundamental effect on the amount of heat to be dissipated.

In order to achieve sufficient cooling in the server enclosure, it is important to ensure that the cooling air passes through the interior of the built-in units and is unable to flow past at the sides.

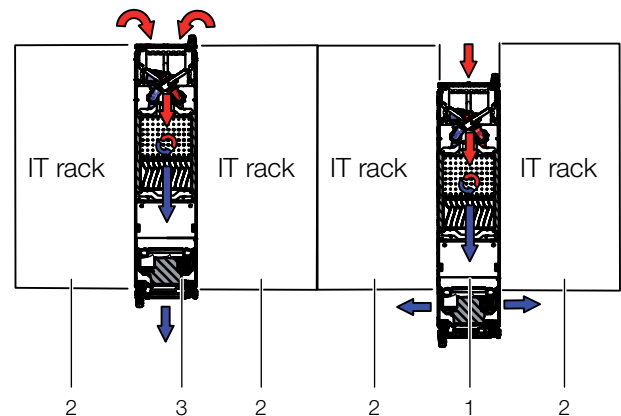


Fig. 11: Air routing with bayed server enclosures – top view

**Key**

- 1 LCP Inline Protruding
- 2 Server enclosure
- 3 LCP Inline Flush

For this purpose, the system consisting of LCP Inline Protruding or LCP Inline Flush, server enclosure and cold aisle containment should be sealed as effectively as possible in order to avoid a decrease in cooling capacity due to mixing of cold and hot air. This is achieved by sealing the cold aisle with doors at the beginning and end of the rack rows, and sealed against the ceiling with roof elements. Existing cable entry glands are additionally sealed e.g. with suitable brush strips.

# 3 Device description

## 3.5 Equipment assembly

### 3.5.1 Schematic design

The schematic design is illustrated below:

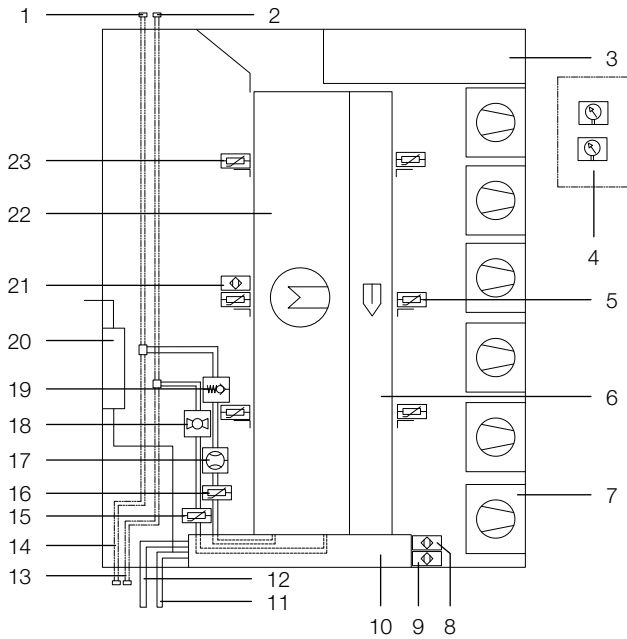


Fig. 12: Schematic design of a Liquid Cooling Package – right-hand side view

#### Key

- 1 Cooling water return (option "top")
- 2 Cooling water inlet (option "top")
- 3 Electronic module with climate controller
- 4 CMC III differential pressure sensor (optional)
- 5 NTC sensors – server inlet temperature (3x)
- 6 Impact surface spray eliminator (for CWG units and customer-specific variants)
- 7 Fan module
- 8 Leakage sensor
- 9 Leakage sensor (condensate pump, optional)
- 10 Condensate tray
- 11 Condensate drain
- 12 Emergency condensate drain
- 13 Cooling water inlet (option "bottom")
- 14 Cooling water return (option "bottom")
- 15 NTC sensor – cooling medium inlet
- 16 NTC sensor – cooling medium return
- 17 Volume flow measurement unit
- 18 Control valve
- 19 Non-return valve
- 20 Condensate pump (optional)
- 21 CMC III temperature/humidity sensor (for CWG units and customer-specific variants)
- 22 Heat exchanger
- 23 NTC sensors – server outlet temperature (3x)

A Liquid Cooling Package consists of an electronic module with the climate controller, a water module, a heat exchanger, and the fan modules. In its supplied state, the following fan modules are built into the devices:

Device/cooling output	30 kW	53 kW	44 kW (CWG)
LCP Rack	1 module	4 modules	4 modules
LCP Inline Protruding	1 module	4 modules	4 modules
LCP Inline Flush	2 modules	–	2 modules

Tab. 2: No. of fan modules in supplied state

The fan modules and the water module are also regulated by the climate controller.

### 3.5.2 Unit components

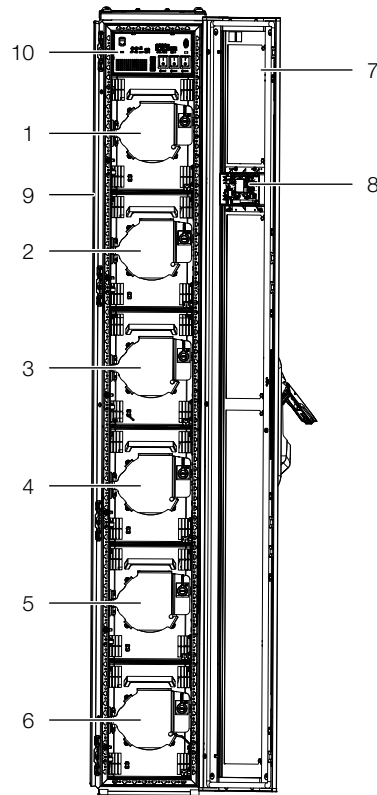


Fig. 13: Liquid Cooling Package front – open front door

#### Key

- 1-6 Fans 1 to 6 (in this instance, fully equipped with 6 fans)
- 7 LCP door
- 8 Optional display with touch function (rear)
- 9 VX frame
- 10 Electronic module with climate controller

The fans are numbered continuously from top to bottom in the unit (for fully-equipped LCP Rack and LCP Inline Protruding units, from 1 to 6; for fully-equipped LCP Inline Flush unit, from 1 to 4). This permits a simple assignment to the associated switch in the electronic module.

The electronic module is comprised of the following components:

- Three On/Off switches for fan pairs 1/2, 3/4 and 5/6
- AC/DC power pack for climate controller



– EMC protective organs

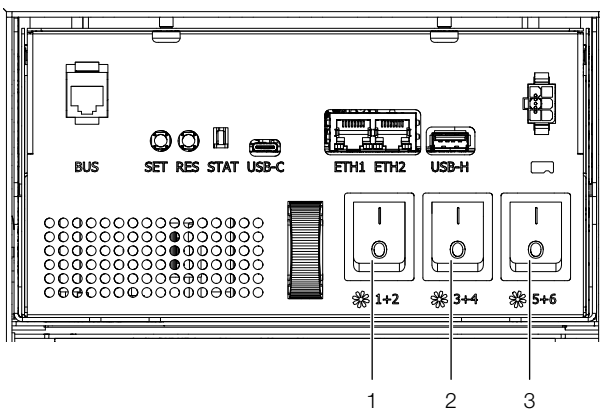


Fig. 14: Electronic module

**Key**

- 1 On/Off switch fan pair 1/2
- 2 On/Off switch fan pair 3/4
- 3 On/Off switch fan pair 5/6

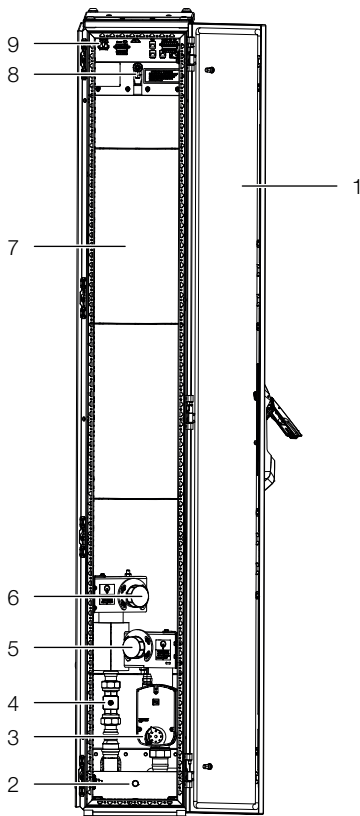


Fig. 15: LCP Rack rear – rear door open

**Key**

- 1 LCP rear door
- 2 Condensate tray with condensate discharge
- 3 Control valve
- 4 Flow meter
- 5 Water connection, inlet G1½" external thread
- 6 Water connection, outlet G1½" external thread
- 7 Air/water heat exchanger
- 8 Vent valve
- 9 Mains connection, network connection and connection of optional condensate pump

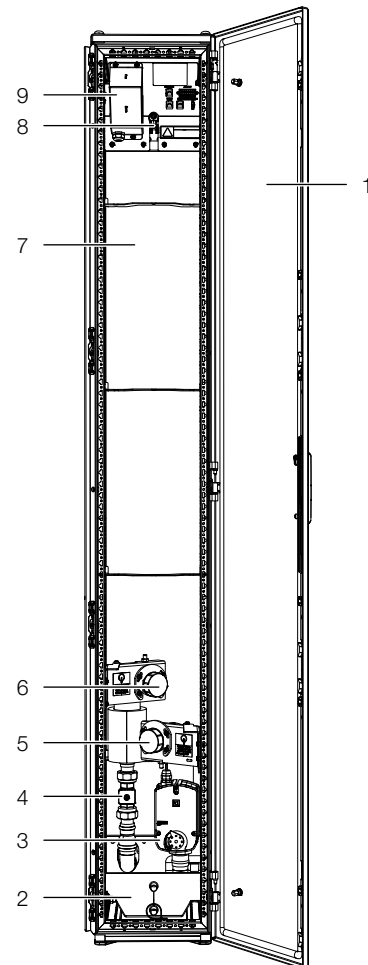


Fig. 16: LCP Rack rear (NSA version) – rear door open

**Key**

- 1 LCP rear door
- 2 Condensate tray with condensate discharge
- 3 Control valve
- 4 Flow meter
- 5 Water connection, inlet G1½" external thread
- 6 Water connection, outlet G1½" external thread
- 7 Air/water heat exchanger
- 8 Vent valve
- 9 Mains connection, network connection and connection of optional condensate pump



**Note:**

In principle, the rear of the LCP Inline looks exactly the same as the LCP Rack. However, it is closed with a perforated door.

The Liquid Cooling Package consists of a solid welded frame in which the heat exchanger, fan modules, and the water module are installed.

One wide and one narrow wall plate are mounted on both the left and right sides.

The wall plates have been punched with air outlet openings along their entire height in the front section to en-

## 3 Device description

3

sure cold air supply to the server (LCP Rack) or to the cold aisle (LCP Inline).

In the LCP Rack, the wall plates in the rear section have been punched with air inlet openings along their entire height and width to ensure the dissipation of warm air from the server.

Seven shelves (or in the case of the LCP Inline Flush, five shelves) are positioned between these wall plates that divide the front of the Liquid Cooling Package into several compartments of differing heights. The electronic module sits on the top shelf. The compartments for the fans are below this. All components of the cooling water supply and condensate management are integrated into the water module on the floor of the Liquid Cooling Package.

The front and rear of the Liquid Cooling Package are each closed with a door with 4-point locking.

In the LCP Rack these doors seal the unit. In the LCP Inline Protruding and LCP Inline Flush, the rear door is perforated to ensure the dissipation of hot air from the hot aisle. In the LCP Inline Flush, the front door is additionally perforated to ensure the supply of cooling air into the cold aisle.

The optional display with touch function for operation in stand-alone mode is located on the front.

### 3.5.3 Air/water heat exchanger

The air/water heat exchanger is installed in the centre section of the Liquid Cooling Package between the two wall plates. In the CWG units (3314.250/550/570), the heat exchanger is covered with a spray eliminator on the air outlet side that catches any condensate and directs it to the condensate tray at the bottom of the Liquid Cooling Package.

Three temperature sensors that determine the cold and hot temperatures are located before and after the heat exchanger and forward them to the closed-loop control.

### 3.5.4 Fan module

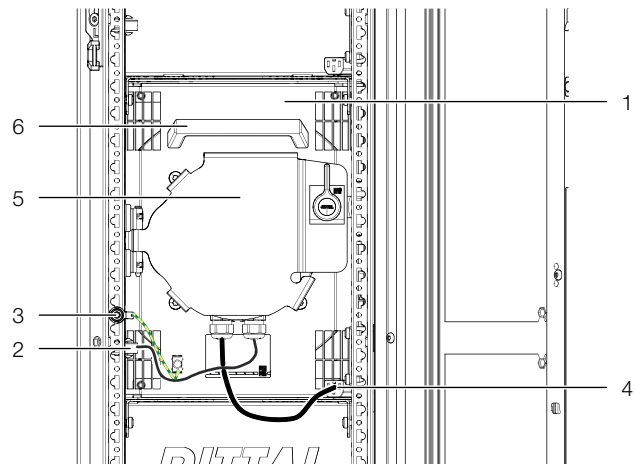


Fig. 17: Fan module in fan tray

#### Key

- 1 Fan
- 2 Connector DC
- 3 Earth connection
- 4 Connector AC
- 5 Fan door
- 6 Handle

A fan module is essentially comprised of the fan itself. All fan modules are controlled by a shared control unit which is mounted in the upper section of the Liquid Cooling Package. The fans may be operated with linear control from 0%–100%.

The fan modules are installed on rack-mounted shelves in the front section of the Liquid Cooling Package.

The two connection cables for the power supply and pilot wire are routed out of the underside of the fan. For all LCP CW and LCP CWG units, the intake end of the fan module lies against a sealing section mounted on the left and right of the housing, which forms an effective seal. This means that in the installed state, the fans are connected directly to the unit's air/water heat exchanger, enabling the air from the air/water heat exchanger to be routed directly and without interruption to the fan module.

It takes about 2 minutes to replace a fan module during operation (see section 5.3 "Fan installation").

### 3.5.5 Water module with cold water connection

A significant component of the water module is the stainless-steel condensate tray in which a leak sensor, a water discharge and an emergency overflow are located.

In addition to the leak sensor, the condensate tray is also equipped with a pressureless condensate discharge. This directs the condensate out of the Liquid Cooling Package to the rear. The hose must be connected to an external discharge (see section 6.1.4 "Connecting the condensate discharge").

The pipework for the Liquid Cooling Package's cooling water connection (inlet and return) runs above the condensate tray.

The lines connect the rear-mounted cooling water connection with the air/water heat exchanger built into the middle of the device. The lines are insulated to avoid the formation of condensation. A motorised control valve is located in the cooling water inlet line to control the cooling water flow.

The cooling water connection is connected to the main inlet and return connections by two G1 1/2" externally threaded pipes for flange gaskets. The connection nozzles are positioned horizontally, inclined to the rear.

The cooling water connection to the cold water network can be made by either rigid pipework or flexible hoses, which are available from the Rittal accessory range (Model No. 3311.040).

### 3.6 Proper and improper usage

The Liquid Cooling Package is an air/water heat exchanger that cools closed spaces or housings in which IT components, such as servers, switches or similar, are installed and are used in a technology room or data centre.

LCPs must always be used in conjunction with a cold-water supply, typically chiller or free-cooler. The water supply must always be a closed circuit. The water quality during the complete service life must conform with the details in these instructions.

The unit may be deployed only within the technical operational limits as described in these instructions.

The unit is state of the art and built according to recognised safety regulations. Nevertheless, improper use can present a hazard to life and limb of the user or third parties, or result in possible damage to the system and other property.

Consequently, the unit must only be used properly and in a technically sound condition.

Any malfunctions which impair safety should be rectified immediately. Follow the operating instructions!

Proper use also includes following the operating instructions and fulfilling the inspection and maintenance conditions.

Inappropriate use may result in danger. Inappropriate use may include:

- Use of impermissible tools.
- Improper use.
- Improper rectification of malfunctions.
- Use of replacement parts which are not authorised by Rittal GmbH & Co. KG.
- Failure to observe the required water quality.
- For the CW units: Use of a coolant other than water.

- Expelling the cold air into an air duct system.
- Use in an industrial environment.
- Non-stationary use, e.g. on moving or vibrating machines.
- Continuous operation below the dew point (except for the CWG units with impact surface spray eliminator).
- Operation as air conditioning for humans.
- Operation as food cooling.
- Provision of the units in publicly accessible areas.
- Violation of the permitted electrical voltage ranges.

### 3.7 Supply scope of a Liquid Cooling Package

The Liquid Cooling Package scope of supply includes the following parts that differ for the global version and the NSA version.

Qty.	Parts
1	Liquid Cooling Package, ready for connection
	Accessories:
1	Vent hose
1	Connector, 5-pole (voltage supply)
1	Connector, 7-pole (fault signal, 2x digital input)
2	Cable ties and spreading anchors (strain relief for connection cables)
2	Jumper for connector, 5-pole (usage for 1-)
1	Baying fastening kit for VX IT (only for LCP Inline)
1	Square ventilation key
2	Sealing bungs
1	Foam rubber for 1200 mm deep LCP
1	Foam rubber for 1000 mm deep LCP (not for LCP Inline Protruding)
1	Assembly and operating instructions

Tab. 3: Supply scope of a Liquid Cooling Package (global version)

Qty.	Parts
1	Liquid Cooling Package, ready for connection
	Accessories:
1	Vent hose
1	Connector, 7-pole (fault signal, 2x digital input)
2	Cable ties and spreading anchors (strain relief for connection cables)

Tab. 4: Supply scope of a Liquid Cooling Package (NSA version)

# 3 Device description

3

Qty.	Parts
1	Baying fastening kit for VX IT (only for LCP Inline)
1	Square ventilation key
2	Sealing bungs
1	Foam rubber for 1200 mm deep LCP
1	Foam rubber for 1000 mm deep LCP (not for LCP Inline Protruding)
1	Assembly and operating instructions

Tab. 4: Supply scope of a Liquid Cooling Package (NSA version)

## 3.8 Unit-specific instructions

### 3.8.1 Creation of redundancy in the LCP Rack

Cooling redundancies are easily achieved via the previously described baying possibilities. Separation of the server enclosure from the Liquid Cooling Package makes it possible to achieve differing levels of redundancy.

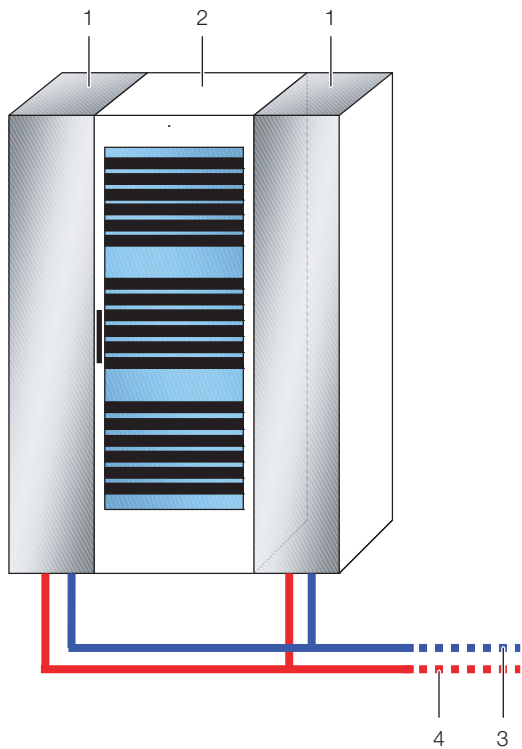


Fig. 18: Redundant or double cooling with two LCP Racks

**Key**

- 1 LCP Rack
- 2 Server enclosure
- 3 Cold water system inlet
- 4 Cold water system return

Two server enclosures may be cooled with 3 LCP Racks. Depending on the cooling output, the device bayed in the middle, between the server enclosures,

forms the redundancy for the respective left and right server enclosure.

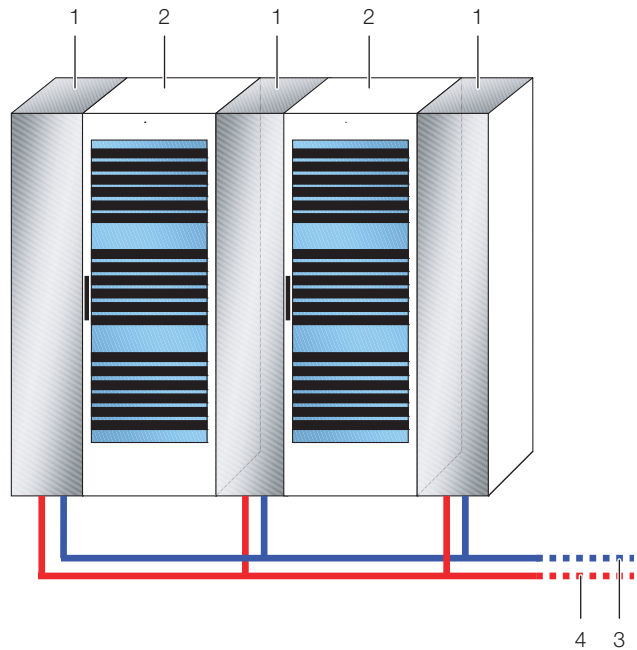


Fig. 19: Redundant cooling with three LCP Racks

**Key**

- 1 LCP Rack
- 2 Server enclosure
- 3 Cold water system inlet
- 4 Cold water system return

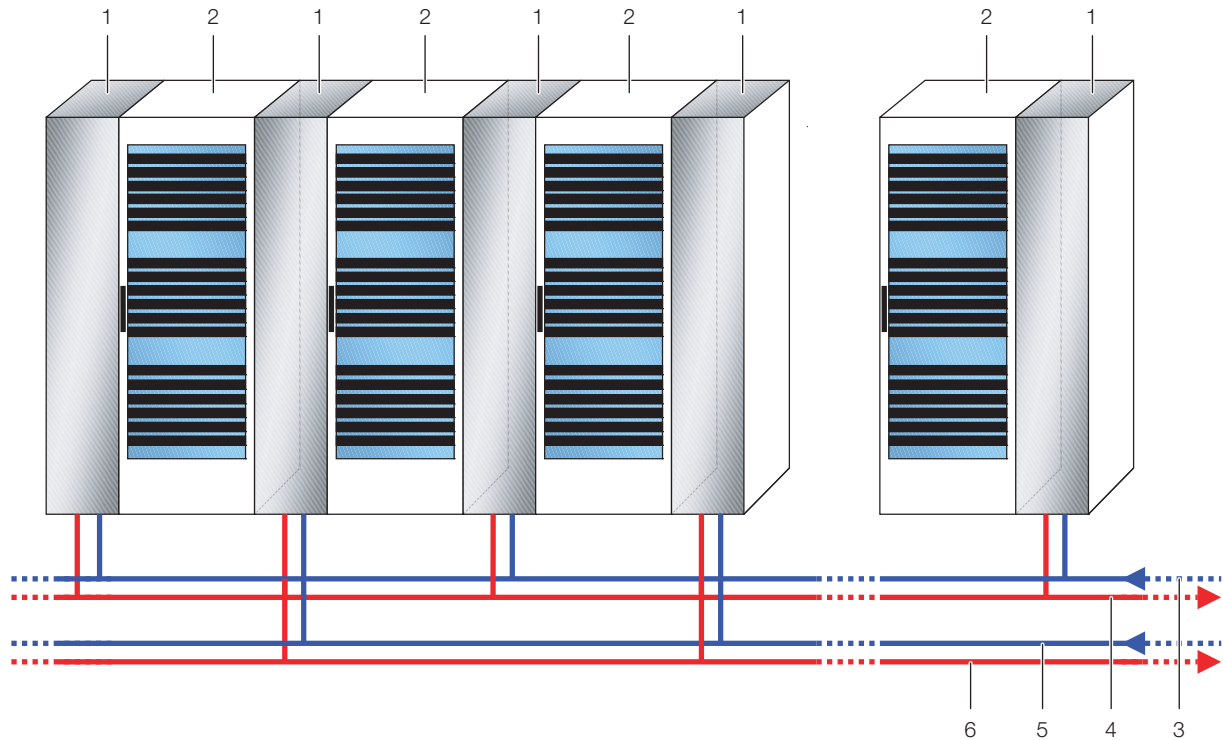


Fig. 20: Redundant cooling and double alternating water supply

**Key**

- 1 LCP Rack
- 2 Server enclosure
- 3 Cold water system inlet 1
- 4 Cold water system return 1
- 5 Cold water system inlet 2
- 6 Cold water system return 2

**3.8.2 Dewpoint control**

For the CWG units, a dew point control is factory-installed.

**Note:**  
The dew point control can be installed at the factory for each unit type. Contact Rittal Sales!

This form of control (see section 8.5.12 "Features") depends on the components and settings of the complete facility and therefore varies from case to case. If there already is a cooling unit that controls the air humidity of the room, additional dewpoint control is not necessary in the majority of cases, since this cooling unit already regulates the humidity according to the recommendations of the ASHRAE standard "ASHRAE TC9.9, 2011 Thermal Guidelines for Data Processing Environments". If the dew point is to be regulated by the LCP CW/LCP CWG itself, there are two regulation types available with the same additional scope of installations.

**3.9 Type code**

**3.9.1 Meaning of the digits in the type code**

Pos. 1-3	Explanation
LCP	Liquid cooling package

Tab. 5: Serial name

Pos. 4	Explanation
G	Global version U = 1~ 200–240 V, AC; 50/60 Hz; L1, N, PE for 1~ jumper L1, L2, L3 U = 3~ 346–415 V, AC; 50/60 Hz; L1, L2, L3, N, PE
N	NSA version U = 1~ 200–240 V, AC; 50/60 Hz; L1, (L2/ N), PE

Tab. 6: Local version

Pos. 5	Explanation
7	Model No. 3314.XXX

Tab. 7: Generation

Pos. 6	Explanation
A	Chilled water (CW) / Chilled Water Glycole (CWG)

Tab. 8: Coolant loop

## 3 Device description

3

Pos. 7	Explanation
1	30 kW
2	45 kW
3	55 kW

Tab. 9: Capacity class

Pos. 8	Explanation
R	Rack (solid doors, air intake and air outlet left and right)
I	Inline flush (perforated front and back door, air intake and air outlet through doors)
P	Inline protruding (solid front door and perforated back door, air intake through back door, air outlet left and right)
M	Mixed solution 1 flush (perforated front door and solid back door, air intake left and right, air outlet through front door)
N	Mixed solution 2 flush (solid front door and perforated back door, air intake through back door, air outlet left and right)

Tab. 10: Application type

Pos. 9	Explanation
1	1 fan
2	2 fan
3	3 fan
4	4 fan
5	5 fan
6	6 fan

Tab. 11: Mounted fan modules

Pos. 10	Explanation
3	Enclosure width 300 mm

Tab. 12: Enclosure width

Pos. 11	Explanation
S	Standard height 2000 mm
B	Option special base and door to increase height
X	Special height < 2000 mm (on request)

Tab. 13: Enclosure height

Pos. 12	Explanation
A	1000 mm
B	1050 mm
C	1200 mm
X	Special depth (on request)

Tab. 14: Enclosure depth

Pos. 13	Explanation
7	RAL 7035
9	RAL 9005
X	Special RAL colour / Special powder coating (on request)

Tab. 15: Finish colour

Pos. 14	Explanation
0	No display (standard)
D	Front door display

Tab. 16: Option "Display"

Pos. 15	Explanation
0	No condensate pump (standard)
C	Condensate pump

Tab. 17: Option "condensate pump"

Pos. 16	Explanation
0	No condensate management module
C	Condensate management (demister, dew-point sensor)

Tab. 18: Option "condensate management"

Pos. 17	Explanation
0	Non-ferrous metals (standard)
1	Stainless steel

Tab. 19: Option "stainless steel coolant circuit"

### 3.9.2 Standard versions

Model No.	Type code
3314.130	LCP G 8 A 1 R 1 3 S A 7 0 0 0 0
3314.230	LCP G 8 A 1 R 1 3 S C 7 0 0 0 0

Tab. 20: Standard version's type codes

Model No.	Type code
3314.540	LCP G 8 A 1 I 2 3 S C 7 0 0 0 0
3314.542	LCP G 8 A 1 I 2 3 B C 7 0 0 0 0
3314.530	LCP G 8 A 1 P 1 3 S C 7 0 0 0 0
3314.250	LCP G 8 A 2 R 4 3 S C 7 0 0 C 0
3314.550	LCP G 8 A 2 I 2 3 S C 7 0 0 C 0
3314.570	LCP G 8 A 2 P 4 3 S C 7 0 0 C 0
3314.260	LCP G 8 A 3 R 4 3 S C 7 0 0 0 0
3314.560	LCP G 8 A 3 P 4 3 S C 7 0 0 0 0
3314.238	LCP N 8 A 1 R 4 3 S C 9 D 0 0 0
3314.548	LCP N 8 A 1 I 4 3 S C 9 D 0 0 0
3314.538	LCP N 8 A 1 P 4 3 S C 9 D 0 0 0
3314.268	LCP N 8 A 3 R 6 3 S C 9 D 0 0 0
3314.568	LCP N 8 A 3 P 6 3 S C 9 D 0 0 0

Tab. 20: Standard version's type codes

# 4 Transportation and handling

## 4 Transportation and handling



**Caution!**  
**Risk of injury during transport and when handling the unit.**  
**Wear personal protective equipment for the work described below.**

### 4.1 Transportation

The Liquid Cooling Package is delivered shrink-wrapped on a pallet.



**Caution!**  
**Because of its height and small base, the Liquid Cooling Package is subject to tipping. Risk of toppling, especially after the unit is removed from the pallet!**



**Caution!**  
**Transport of the Liquid Cooling Package:**  
**Use only suitable and technically sound lifting gear and load-bearing devices with sufficient load capacity.**

- Because of its heavy weight, never lift the Liquid Cooling Package by yourself (or even together with several people). Always use appropriate lifting gear.

### 4.2 Unpacking

- Remove the unit's packaging materials.  
Because the plastic straps are pretensioned, there is a certain risk of injury when they are cut.
- Check the unit for any damage that occurred during transport.



Note:  
Damage and other faults, e.g. incomplete delivery, should immediately be reported to the shipping company and to Rittal GmbH & Co. KG in writing.

#### All device versions, except 3314.542

- Open the rear door using the key attached to the unit.
- Remove the fastening screws at the front and rear used to secure the unit onto the pallet.

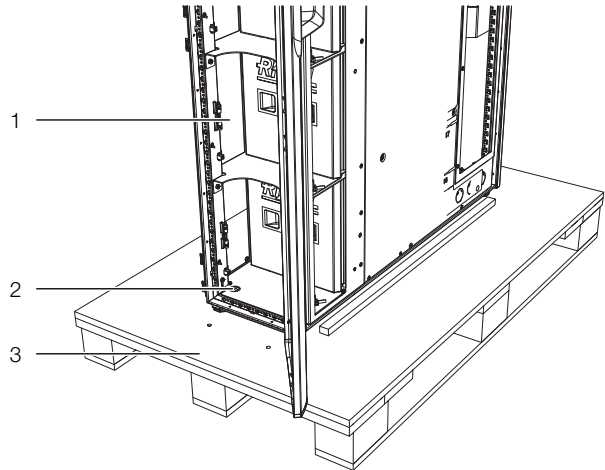


Fig. 21: Front fastening (2 x screws)

#### Key

- 1 Liquid Cooling Package
- 2 Fastening screws
- 3 Pallet

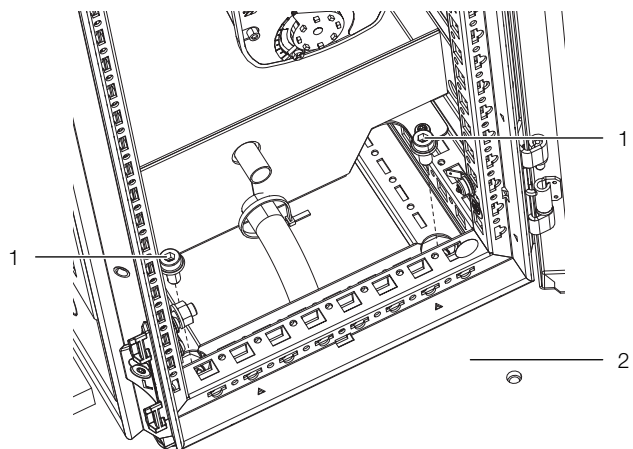


Fig. 22: Transport brace (2 x screws)

#### Key

- 1 Fastening screws (2 x)
- 2 Pallet



## 4 Transportation and handling

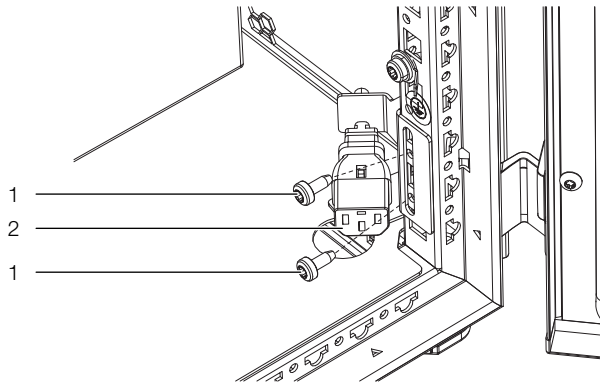


Fig. 23: Dismantle the fan connector at the front of the LCP

### Key

- 1 Assembly screws
- 2 Fan connector with retainer

- Dismantle the fan connector to be able to loosen the transport brace screws at the front (with the exception of "Flush" type devices).

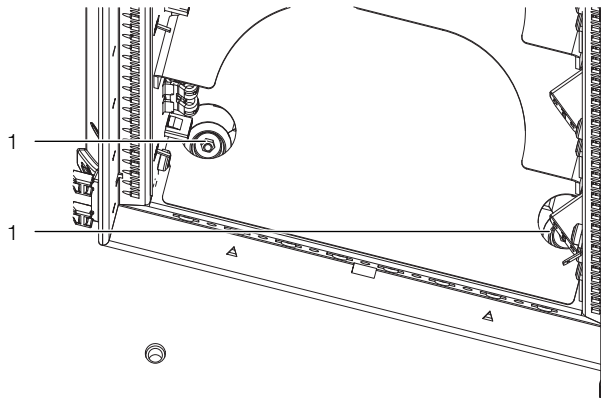


Fig. 24: Remove the transport brace screws

### Key

- 1 Fastening screws (2 x)

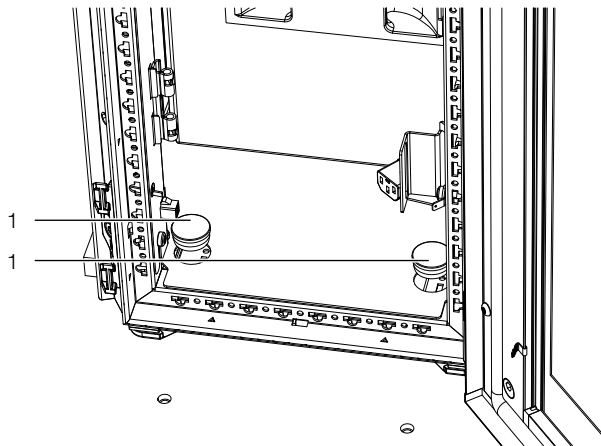


Fig. 25: Sealing bung for closing the transport brace openings

### Key

- 1 Sealing bung

- Close the transport brace openings at the front using the stopper from the dispatch bag.
- Re-install the fan connector and the corresponding retainer.

### Device version 3314.542

- Loosen the fastening screws with which the cover plate is fixed at the front, at the bottom of the device.

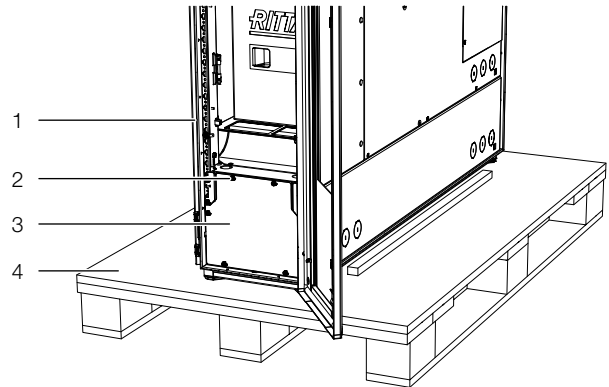


Fig. 26: Cover plate mounting (6 x screws)

### Key

- 1 Liquid Cooling Package
- 2 Fastening screws (6x)
- 3 Cover plate
- 4 Pallet

- Remove the fastening screws and the cover plate.

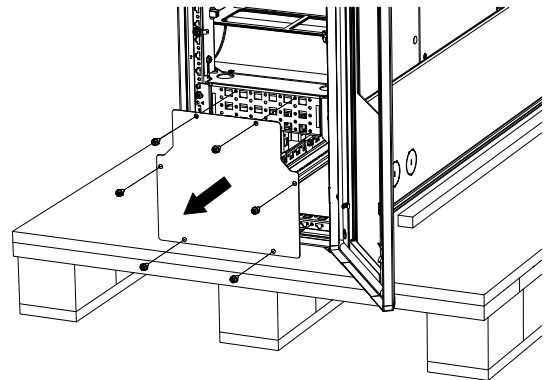


Fig. 27: Removing the cover plate

- Remove the two fastening screws at the front used to secure the unit onto the pallet.

## 4 Transportation and handling

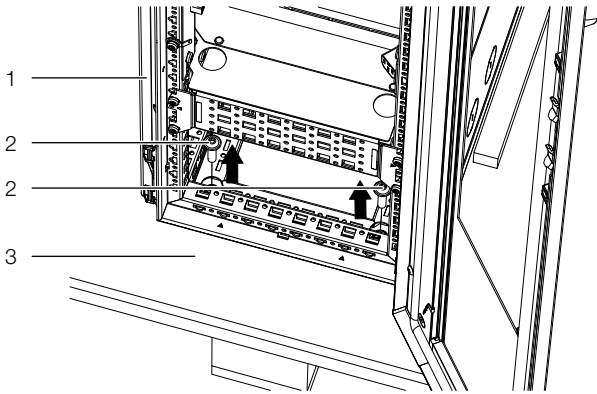


Fig. 28: Fastening at the front (2 x screws)

### Key

- 1 Liquid Cooling Package
- 2 Fastening screws (2x)
- 3 Pallet

- Re-attach the cover plate to the LCP with the fastening screws.
- Open the front door using the key attached to the unit.
- Remove the two fastening screws at the rear used to secure the unit onto the pallet.

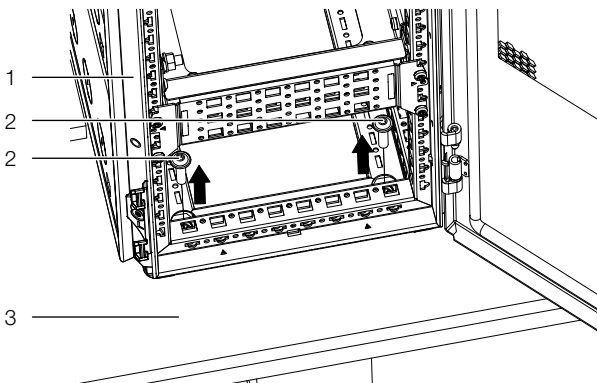


Fig. 29: Transport fastening at the rear (2 x screws)

### Key

- 1 Liquid Cooling Package
- 2 Fastening screws (2x)
- 3 Pallet

### All device versions

- Place the unit in its intended location.



#### Note:

After unpacking, the packaging materials must be disposed of in an environmentally friendly way. They are comprised of the following materials:  
Wood, polyethylene film (PE film), strap, edge protectors, cardboard.

## 5 Assembly and siting

### 5.1 General

#### 5.1.1 Installation site requirements

The LCPs are air/water heat exchangers for IT equipment.

Please observe the following general remarks on the installation site:

- The installation site of the LCPs must be adequately protected from external weather conditions.
- The installation room should be sealed in order to avoid uncontrolled air exchange with the environment.
- The fresh air supply should be reduced to a minimum, in accordance with generally recognised technical regulations.
- If the intake air to the installation room is cooled by an air-conditioning system, be sure to tailor the relative air humidity to the water inlet temperature of the LCPs. This avoids condensation and ensures maximum energy efficiency (see section 3.3 "Ambient conditions").
- The unit must not be located or operated at sites accessible to the general public. Only appropriately authorised personnel should have access to the installation site.

In order to ensure problem-free operation of the Liquid Cooling Package, the following conditions for the installation location should be observed:

#### Supply connections required at the installation site per Liquid Cooling Package

Type of connection	Connection description:
Power connection:	<ul style="list-style-type: none"> <li>- 200...240 V, AC, 1~, N, PE, 50/60 Hz (global version)</li> <li>- 346...415 V, 3~, N, PE, 50/60 Hz (global version)</li> <li>- 200...240 V, AC, 1~, L1, (L2/N), PE, 50/60 Hz (NSA version)</li> <li>- 208 V, 2~, N, PE, 50/60 Hz (NSA version)</li> </ul> Line protection in accordance with the technical specifications (see section 13 "Technical specifications").
Coolant connection:	Max. permitted operating pressure PS = 10 bar

Tab. 21: Supply connections required at the installation site



**Note:**  
Please see the notes and data regarding the cold water connection in section 6.1.3 "Cooling water connection" and in section 16.1 "Information concerning the filling and additive water".



**Recommendation:**  
For easier servicing of the Liquid Cooling Package, maintain a distance of at least 1 m between the front and rear of the device and the nearest wall.

#### Floor conditions

- The floor of the installation space should be rigid, level and dry.
- Choose the installation site so that the unit is not situated on a step, unlevel location, etc.

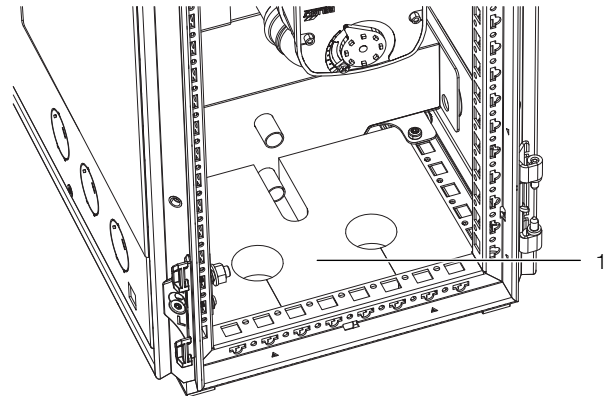


Fig. 30: LCP CW rear view – Space for inserting the connection hoses

#### Key

- 1 Rubber cable clamp strip



**Note:**  
The rubber cable clamp strip is supplied in the dispatch bag. After connection, this rubber cable clamp strip must be installed for air partitioning downwards.

#### Climatic conditions

As per the technical specifications (see section 13 "Technical specifications").



**Recommendation:**  
Room temperature +22 °C at 50% relative air humidity, according to ASHRAE guidelines.

#### 5.1.2 Prepare the room for installation of the LCP Inline Protruding and LCP Inline Flush

The installation site of the LCP Inline Protruding and LCP Inline Flush must be divided into one cold air zone and one hot air zone. This ensures that no cooling capacity is lost due to mixing of cold and hot air.

# 5 Assembly and siting

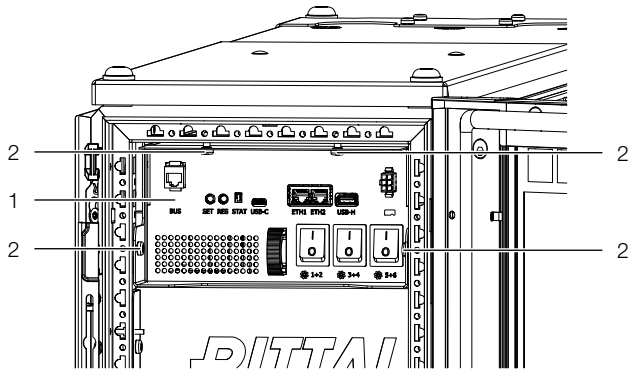


Fig. 31: Electronic module in the LCP

5

### Key

- 1 Electronic module
- 2 Fastening screws (4 x)

Aisle containment is easily fitted above the LCP, as the electronic module may be pulled forwards out of the device after loosening all connectors and the two assembly screws.



### Note:

Observe the procedure described below to avoid damaging the connection cables.

### Before pulling out the electronic module

- First disconnect the network cable and the CAN bus cable from the corresponding connections on the electronic module.
  - Then push all cables as far as possible into the left-hand, open area towards the side panel.
- The electronic module can now be pulled out without damaging the connection cables or connection plugs.

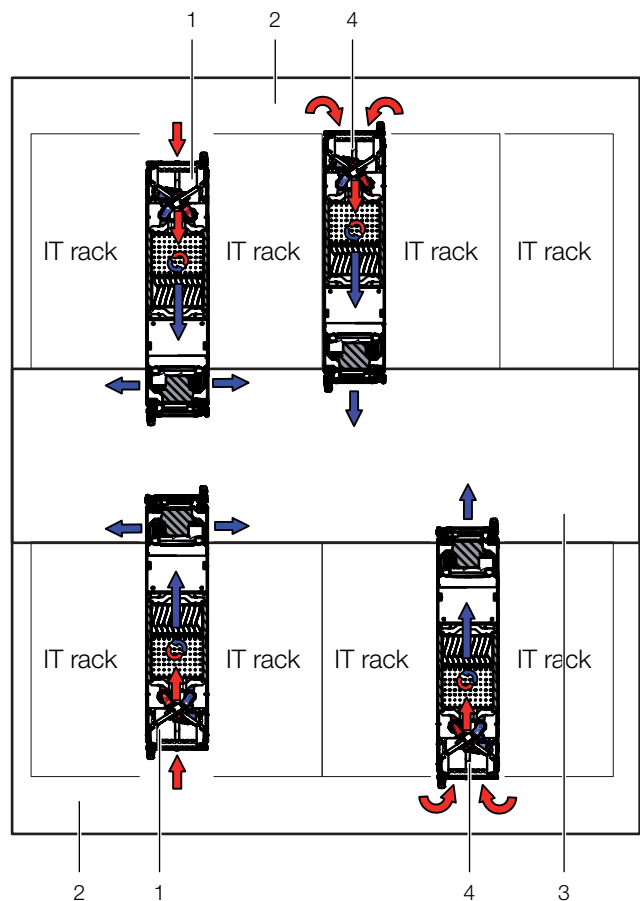


Fig. 32: Installation room with cold aisle compartmentalisation

### Key

- 1 LCP Inline Protruding
- 2 Hot aisle
- 3 Cold aisle
- 4 LCP Inline Flush



### Note:

All components required to install suitable cold aisle containment are available from Rittal as accessories.

### 5.1.3 Installation regulations for the LCP Inline Protruding and LCP Inline Flush

The positioning in the rack aisles must be considered when planning the layout. The following points are to be considered:

- Heat loss in the adjacent server racks
- Volumetric airflow in the adjacent server racks
- Distances from the adjacent server racks

### Heat losses in the adjacent server racks

If the LCP Inline Protruding or LCP Inline Flush is used in combination with server racks with high heat losses, the number of LCP Inline Protruding or LCP Inline Flush units must be adapted according to the characteristic curves (see section 6.2 "Cooling operation and control characteristics"). The air temperature difference between server inlet and server outlet, which is determined by the equipment used, is of particular interest. As a rule of thumb, a

temperature difference of 15 K can be expected. There may, however, be greater differences.

### Volumetric airflows in the adjacent server racks

Due to the containment of the hot and cold zones, it is important to ensure that the LCP Inline Protruding or LCP Inline Flush can deliver adequately cooled air into the cold zone. From there, the cold air is drawn back into the server enclosures by the equipment. A small surplus of air should generally be provided in order to compensate for any short-term demands of the equipment.

### Distances from the adjacent server racks

In small applications and short aisles, the above points will not have a major impact on properties or cooling capacity provided the hot zone is thoroughly sealed off from the cold zone. For larger applications and long aisles, however, even distribution of the cooling units should be ensured, due to the loss of volumetric airflow caused by pressure changes and convection or radiation heat of the equipment. Other factors, such as high-temperature rooms adjacent to the cold zone or exterior walls warmed by the sun, can also occur.

As a general rule, the prescribed minimum and maximum distances between LCP units and between the first LCP unit and the wall of the aisle containment must be observed.

Distances	minimum [m]	maximum [m]
LCP – external wall Fig. 33, item 1	0.6	1.6
LCP – LCP Fig. 33, item 2	1.2	3.2
Side offset Fig. 33, item 3	0.3	–

Tab. 22: Minimum and maximum distances

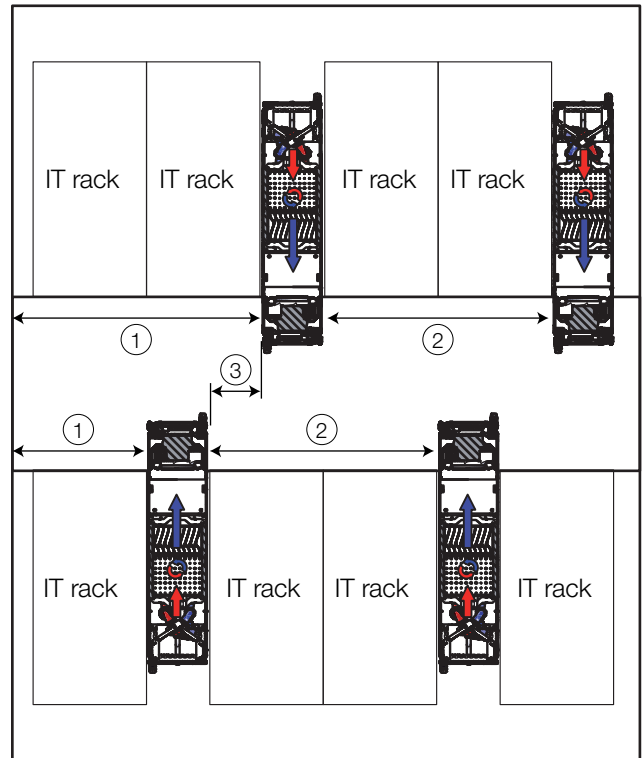


Fig. 33: Minimum and maximum distances

#### Key

- 1 Distance LCP – external wall
- 2 Distance LCP – LCP
- 3 Side offset from opposite LCP



#### Recommendation:

When increased demands are placed on the escape route planning, the units should not be positioned directly opposite each other.



#### Note:

For the complete removal of an LCP from an enclosure suite, the required space must be considered for the dimensioning of the cold/hot aisle.

### Pressure within cold aisle containment

When using an LCP Inline Protruding or LCP Inline Flush, there is an overpressure in the cold aisle compared with the exterior room (hot aisle). Depending on the IT equipment used, however, the pressure in the cold aisle may also fluctuate.

### 5.2 Assembly procedure with a VX IT server enclosure



#### Note:

For other enclosures, proceed similarly and in accordance with the instructions for the enclosures.

# 5 Assembly and siting

## 5.2.1 General

Before the Liquid Cooling Package can be bayed onto the server enclosure, the following work should be carried out.

- Dismantle the side panels,
- Seal the server enclosure and
- Dismantle the server enclosure door (with the glazed door closed).

## 5.2.2 Dismantle the side panels



### Caution! Risk of injury!

**The side panel holders have sharp-edged teeth, which enable earthing of the server enclosure's side panel.**

If there is a side panel or partition mounted on the server enclosure side to which the Liquid Cooling Package is to be bayed, this must be removed first.

- Loosen and remove the 8 assembly screws found on each side panel of the server enclosure.
- Remove all side panel securing elements from the side of the server enclosure onto which the Liquid Cooling Package is to be bayed.
- Dismantle both side panel mountings from the upper mounting rail of the server enclosure, using an appropriate lever.
- Loosen and remove the screws on both of the side panel mounting brackets (top and bottom) in the middle of the mounting rail.
- Loosen and remove the screws from the 6 side panel holders on the side mounting rails.

## 5.2.3 Seal the server enclosure



### Caution! Risk of injury!

**There is the risk of being cut when foam strips are cut to size. Wear personal protective equipment (PPE)!**

In order to ensure targeted air routing in the system, the server enclosure is vertically divided into hot air and cold air zones by sealing the 482.6 mm (19") level.

Proceed as follows to seal the 482.6 mm (19") level:

- If the server enclosure is only partially configured, seal the open sections of the 482.6 mm (19") level using blanking plates. Screw these tightly into the server rack from the front.



### Note:

Blanking plates in the various height units (U), together with both narrow and wide foam strips and air baffle plates, are available as Rittal accessories (see section 15 "Accessories").

- Fasten the wider (Model No. 3301.370 / 3301.320) of the two foam strips from the Liquid Cooling Package

accessories from outside onto one of the front supports of the server rack. Make sure to install this strip on the side of the server enclosure onto which the Liquid Cooling Package is to be bayed.

### ■ If you are only baying the Liquid Cooling

**Package on one side:** Fasten the narrower (Model No. 3301.380 / 3301.390) of the two foam strips from the Liquid Cooling Package accessories from outside onto one of the front supports of the server rack. Make sure to install this strip on the side of the server enclosure which will again be sealed by a side panel.

If the server enclosure contains devices which require cooling via sideways air throughput (e.g. switches, router, etc.), cut-outs must be incorporated into the foam strips.

- To do this, cut out a piece of the foam strip with a sharp knife.
- If several devices which require sideways air throughput are included, cut out several pieces of the foam strip, as is appropriate, so that, ultimately, there is a cut-out in the foam to the left or right at the height of each such device in the server rack. Ensure that there are no gaps on the hot air side of the device (fig. 34, item 3).
- Using a sharp knife, cut additional pieces from the foam strips that are at least as long as the height of the built-in devices.
- Attach the foam strips to the cold air side of the devices set back towards the rear (fig. 34, item 4), making sure that all fans built into the devices can draw air and that none of them are blocked.



### Note:

The foam strips can be attached between the front and rear supports of the server rack along the entire depth of the devices with sideways air throughput (fig. 34).

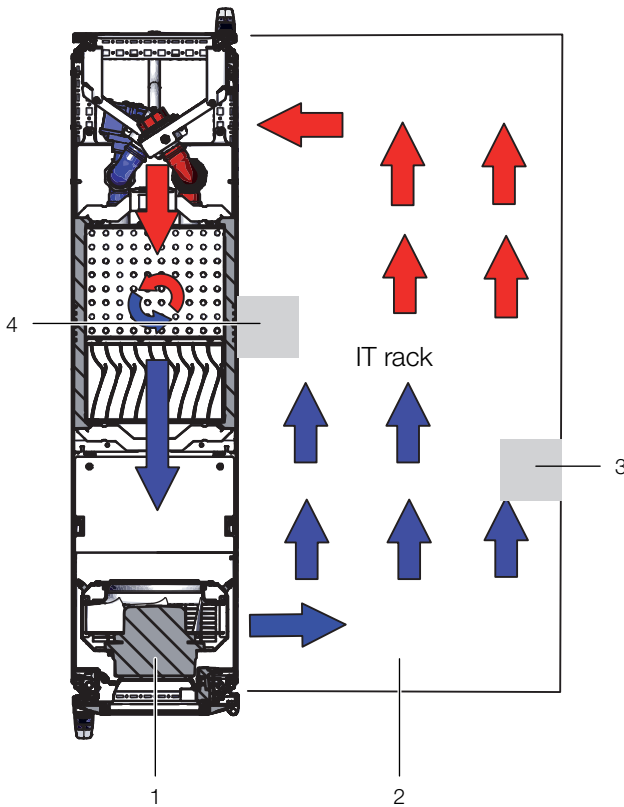


Fig. 34: Placement of foam strips for devices with sideways air throughput (top view) – LCP Rack

### Key

- 1 LCP Rack
- 2 Server enclosure
- 3 Foam strips on hot air side
- 4 Foam strips on cold air side

- If there is any surplus length of the foam strip on the server rack, cut it off at the top edge of the rack.



### Note:

The Liquid Cooling Package may optionally be bayed onto a server enclosure with a width of either 600 mm or 800 mm. For this reason, the Liquid Cooling Package accessories include a total of four foam strips or corresponding air baffle plates with differing dimensions (see section 15 "Accessories").

- On the side of the server enclosure opposite the Liquid Cooling Package, mount a side panel on the two side panel mountings. Align it with the front and rear of the enclosure.
- Using the 8 assembly screws, screw the side panel firmly onto the side panel holders and the side panel mounting brackets.
- Seal off any cable entries which may be present with corresponding brush strips or similar.

### 5.2.4 Fit the rear adaptor on the LCP Inline

In order to achieve an even finish for the LCP Inline and the server enclosure fronts at the rear, a corresponding

enclosure extension may be installed on the LCP Inline (see section 15 "Accessories").

- Dismantle the rear door of the LCP Inline in the same way as the server enclosure.
- Dismantle the hinge pin holding fixtures (fig. 35, item 1) and corresponding fixing components (fig. 35, item 2) from the LCP Inline and reassemble at the rear of the adaptor in the same way.

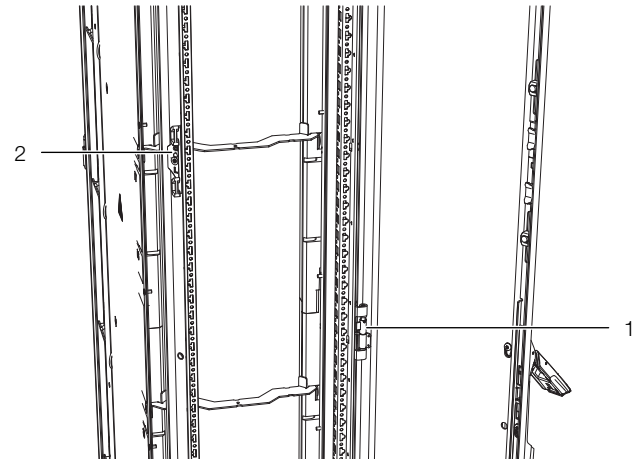


Fig. 35: Assembly components on the Liquid Cooling Package – rear view

### Key

- 1 Hinge pin holding fixture
- 2 Fixing component

- Attach the adaptor (fig. 36, item 2) to the rear opening of the LCP Inline using four of the supplied screws (fig. 36, item 1) each on the left and right.

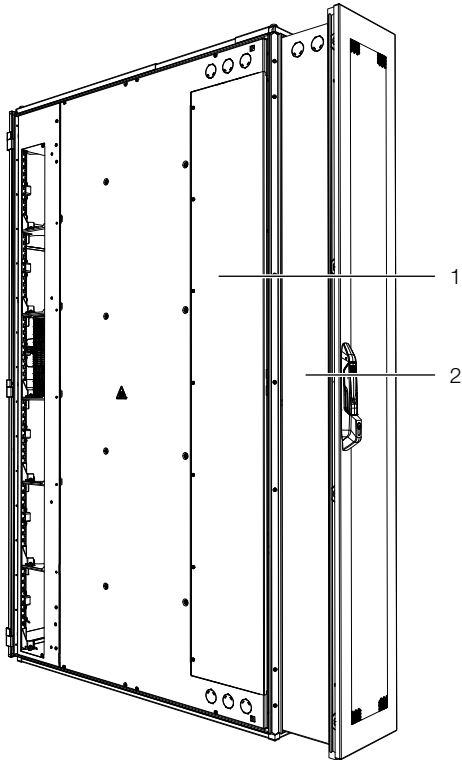


Fig. 36: Adaptor on the LCP Inline

**Key**

- 1 LCP Inline
- 2 Adaptor



**Note:**  
The screws for mounting the adaptor are screw-fastened to the inside.

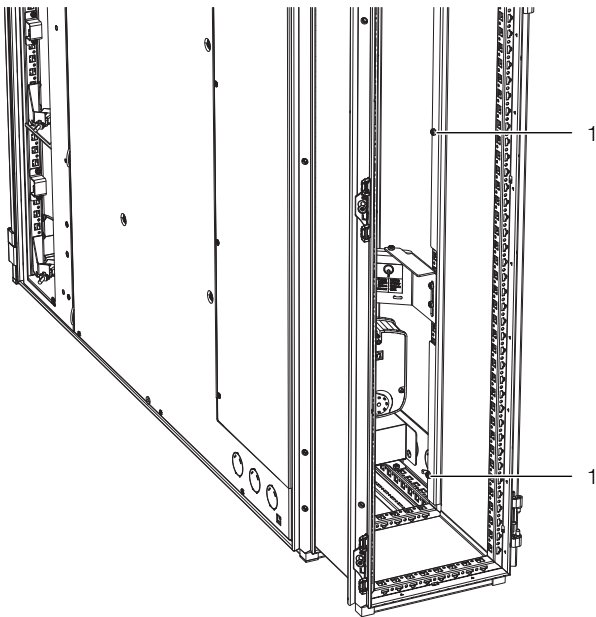


Fig. 37: Mounting the adaptor frame

**Key**

- 1 Fastening screws

- Fit the door at the rear of the adaptor if you are securing the LCP Inline to the server enclosure with the aid of baying clamps.

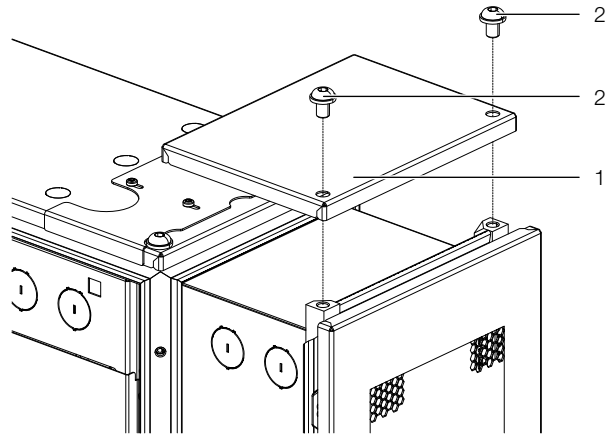


Fig. 38: Mounting the adaptor frame roof plate

**Key**

- 1 Roof plate
- 2 Fastening screws



**Note:**  
If you are securing the LCP Inline to the server enclosure with the aid of baying clamps, do not fit the rear door yet.

## 5.2.5 Installation and baying of the Liquid Cooling Package



**Caution!**  
**Because of its height and narrow base, the Liquid Cooling Package is subject to tipping. Risk of falling, unless it has been bayed!**

- Position the Liquid Cooling Package on the side of the server enclosure to which it is to be bayed.
- Pull the LCP Inline forwards until the air outlet holes on the side of the LCP Inline are completely in front of the front edge of the server enclosure.
- Align the Liquid Cooling Package with the server enclosure. Ensure that the Liquid Cooling Package is aligned levelly and that both enclosures are adjusted to the same height and are vertically aligned to each other.
- Dismantle the door of the Liquid Cooling Package whose hinges are on the side on which the server enclosure is to be bayed.



**Note:**  
If the Liquid Cooling Package is to be bayed between two server enclosures, both doors of the Liquid Cooling Package must be dismantled before the baying connectors are installed so that the attachment points for the baying connectors are accessible.



## Attaching the LCP Rack and LCP Inline Flush

- Using the corresponding assembly screws, fasten four baying connectors each (5301.310, fig. 39, item 2) onto the attachment points provided in the mounting strips on the front and rear of the LCP Rack or LCP Inline Flush (fig. 39, item 1).



Note:  
When baying, a baying gap of 3 mm arises between the enclosures.

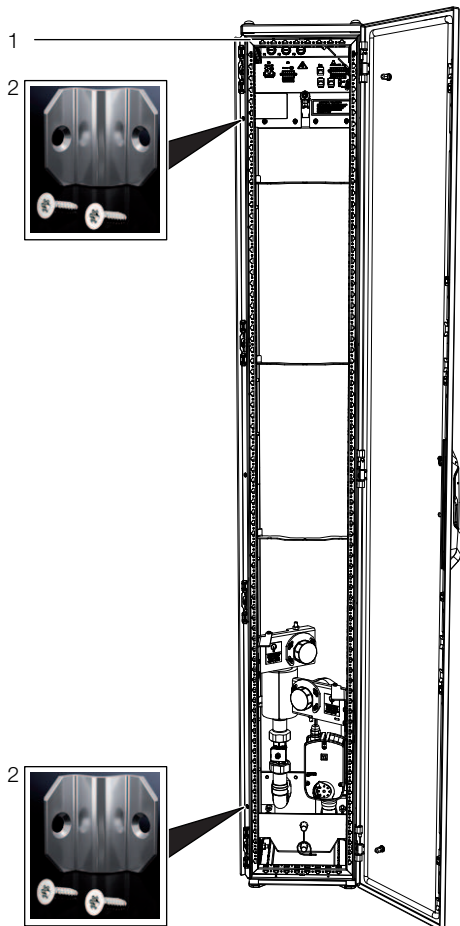


Fig. 39: LCP Rack – rear

### Key

- 1 LCP Rack
- 2 Baying connector

- In the same way, fasten the baying connectors onto the attachment points provided in the mounting strips on the front and rear of the server enclosure. If necessary, press the LCP Rack or LCP Inline Flush lightly against the server enclosure in order to bring the baying connectors into alignment with the attachment points.

## Attaching the LCP Inline Protruding

To fasten the LCP Inline Protruding to a server enclosure, the scope of supply contains a baying fastening kit.

- Before baying the LCP Inline Protruding, dismantle any partitions or side panels that may be present on the server enclosure.
- Likewise, before baying, fit the bracket (fig. 40, item 1) required for the connection component to the VX IT server rack.



Note:  
Once bayed you will no longer be able to fit this bracket.

- Next, insert a connection component (fig. 40, item 2) in the rear section between the frames of the LCP Inline Protruding and the server rack.

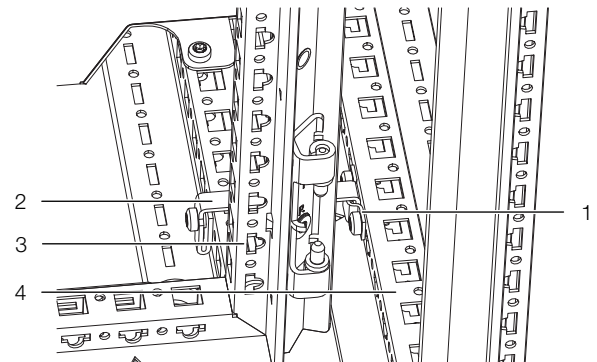


Fig. 40: Connection element in the rear area VX/VX

### Key

- 1 Bracket on the server rack VX IT
- 2 Connection element
- 3 LCP Inline Protruding
- 4 Server enclosure VX IT



Note:  
The parts needed for baying an LCP Inline Protruding to a TS IT server enclosure are available as Rittal accessories (see section 15 "Accessories").

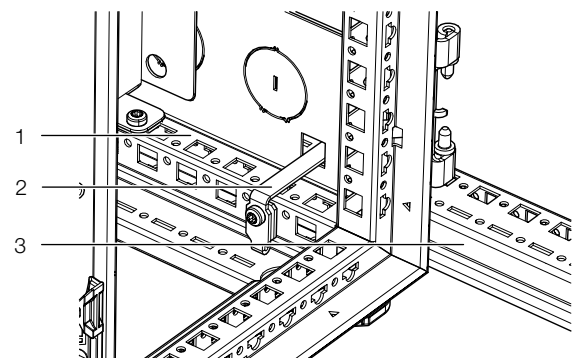


Fig. 41: Connection element in the rear area VX/TS

### Key

- 1 LCP Inline Protruding
- 2 Connection element
- 3 Server enclosure TS IT

# 5 Assembly and siting

- Fasten the LCP Inline Protruding in the front area at the top and bottom with a bracket and screws to the server enclosure.

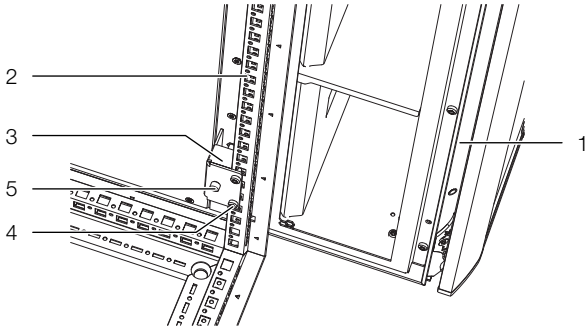


Fig. 42: Bracket and screws in the front area VX/VX

**Key**

- 1 LCP Inline Protruding
- 2 Server enclosure VX IT
- 3 Bracket
- 4 Bracket fastening screw on the server enclosure VX IT
- 5 LCP Inline Protruding fastening screw

**Note:**



The parts needed for baying an LCP Inline Protruding to a TS IT server enclosure are available as Rittal accessories (see section 15 "Accessories").

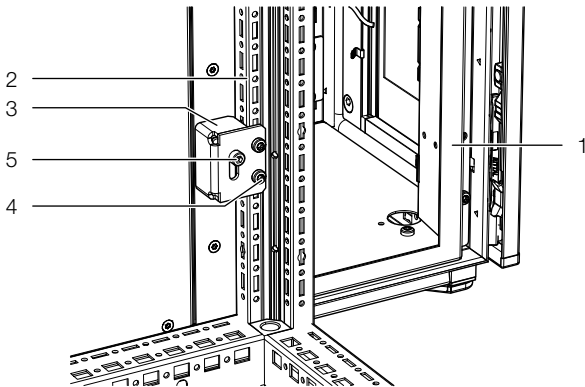


Fig. 43: Bracket and screws in the front area VX/TS

**Key**

- 1 LCP Inline Protruding
- 2 Server enclosure TS IT
- 3 Bracket
- 4 Bracket fastening screw on the server enclosure TS IT
- 5 LCP Inline Protruding fastening screw

**Note:**



If the rear frame is fitted on the LCP Inline Protruding, it may alternatively be fitted **at the rear** between the frame and the server enclosure, analogous to the LCP Rack, using three baying clamps (see the section on "Attaching the LCP Rack").

**All device versions:**

- Where applicable, attach the rear door to the LCP Rack or to the rear adaptor of the LCP Inline Protruding.
- Finally, check the stability of the Liquid Cooling Package once again.

**5.2.6 Mounting the side panel**

If the Liquid Cooling Package is not bayed between two server enclosures, close it off with a side panel. You will need:

- Standard VX side panel
- Mounting kit VX side panel for LCP VX (3313.089)



**Caution! Risk of injury!**

The side panel holders have sharp-edged teeth, to enable earthing of the side panel through the Liquid Cooling Package.

Proceed as follows to assemble the side panel:

- Take the various assembly components for the side panel from the mounting kit.

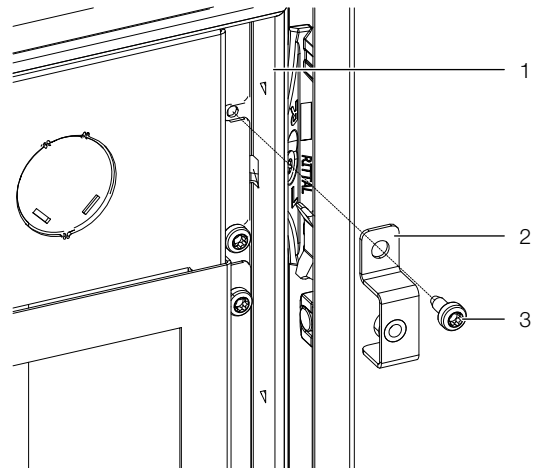


Fig. 44: Mounting bracket for attaching the side panel

**Key**

- 1 LCP
- 2 Bracket
- 3 Fastening screw

- Attach the 6 brackets using the assembly screws supplied loose, as shown in the assembly drawing enclosed with the assembly kit.

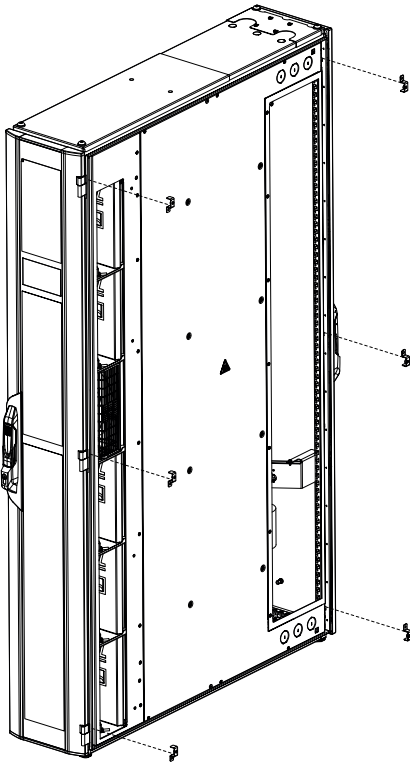


Fig. 45: Attach the brackets to the LCP

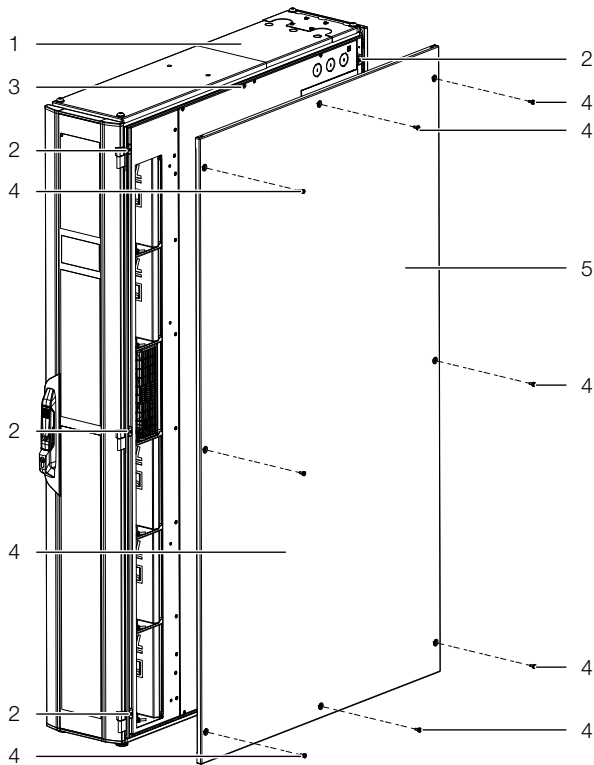


Fig. 46: Attach the side panel to the LCP

**Key**

- 1 LCP
- 2 Bracket
- 3 Blind threaded rivets at the top and bottom, centre
- 4 Fastening screws
- 5 Side panel

- Mount a side panel onto the two side panel mountings of the Liquid Cooling Package and align them to the front and rear of the unit.
- Using the assembly screws, screw the side panel firmly onto the side panel holders and the side panel mounting brackets.



Fig. 47: Fitted side panel

**5.2.7 Punch outs**

The punch outs in the side panel of the LCP at the rear may be used for cable entry and for inserting the pipelines of the early fire detection system.

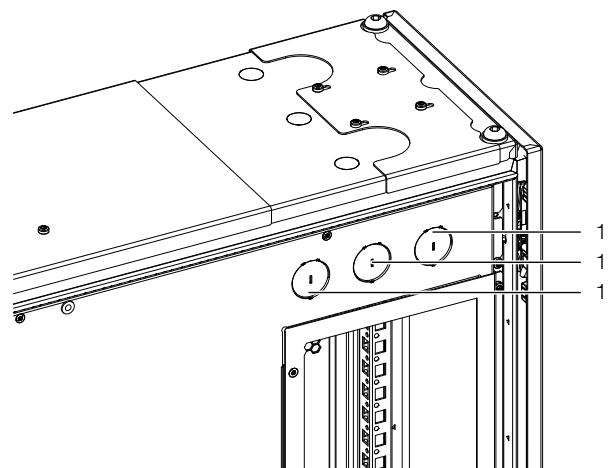


Fig. 48: Punch outs in the side panel of the LCP

**Key**

- 1 Punch outs

# 5 Assembly and siting

## 5.3 Fan installation



**Warning! Risk of injury!**  
Before removing and installing a fan, the switch for the fan on the electronic module must be switched off.



**Caution! Risk of injury!**  
When removing and installing a fan, there is the risk of injury caused by sharp edges inside the LCP, high air speeds and noise. Wear gloves, safety goggles and ear muffs!

5

Depending on the required cooling output and in order to form redundancies, up to a maximum of six fan modules in total may be installed with the LCP Rack and LCP Inline Protruding devices. With the LCP Inline Flush, up to four fan modules may be installed (see section 16.2 "Characteristic curves").



Note:  
If more than three fans are installed in a Liquid Cooling Package type "30 kW", they provide redundancy or improve efficiency thanks to the lower power consumption by the individual fans.

### 5.3.1 Removing a fan module

If a fan module is defective, it can be replaced quickly and easily with the unit operational.

Proceed as follows to remove a fan module:

- Open the front door of the Liquid Cooling Package.
- At the electronic module, switch off the On/Off switch for the pair of fans from which a fan is to be removed.

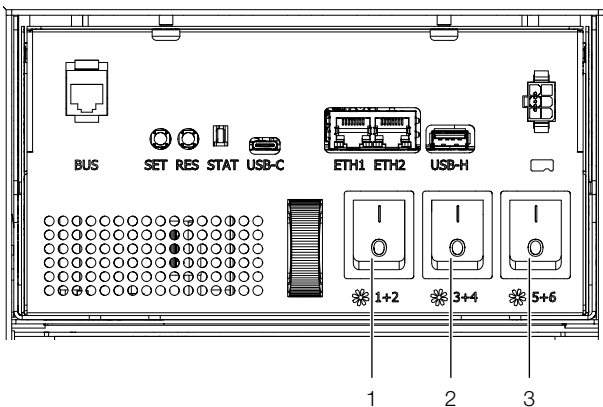


Fig. 49: Electronic module with master switch

#### Key

- 1 On/Off switch fan pair 1/2
- 2 On/Off switch fan pair 3/4
- 3 On/Off switch fan pair 5/6

Whereby, the following assignment applies between the On/Off switch and the fans:

- On/Off switch 1: Fan positions 1 and 2
- On/Off switch 2: Fan positions 3 and 4
- On/Off switch 3: Fan positions 5 and 6



Note:  
On the LCP Inline Flush, On/Off switch 3 (fig. 49, item 3) is not assigned and therefore has no function.

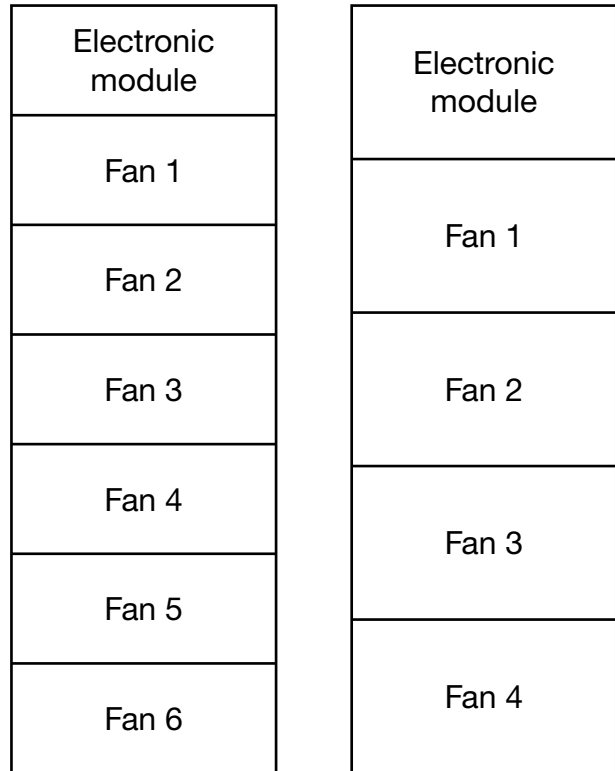


Fig. 50: LCP Rack and LCP Inline Protruding (left) as well as LCP Inline Flush (right) fan positions

- First, open the fan door in front of the fan that is to be removed.

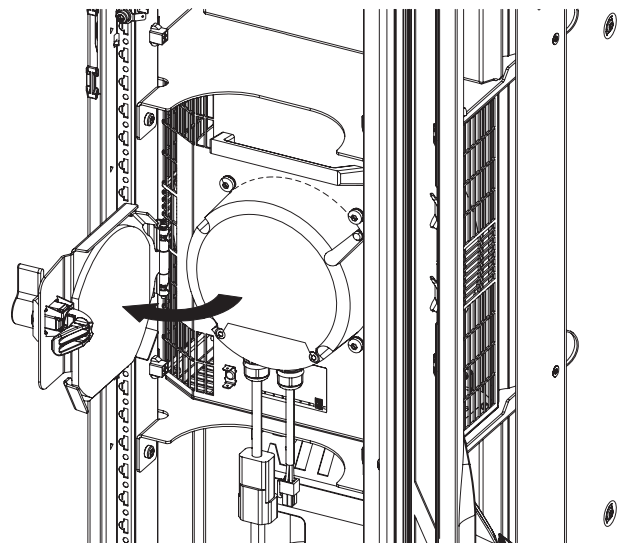


Fig. 51: Opening the fan door

- Release the two fan connectors DC and AC on the left and right (fig. 52, item 2 and 4).

- Disconnect the earth connection on the fan (fig. 52, item 3).

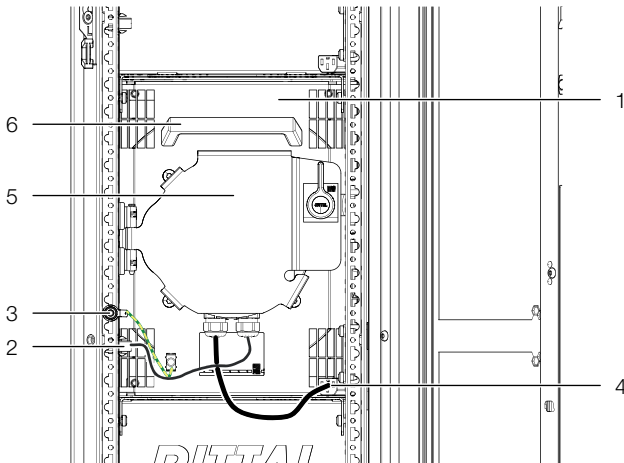


Fig. 52: Fan module in fan tray

### Key

- 1 Fan
- 2 Connector DC
- 3 Earth connection
- 4 Connector AC
- 5 Fan door
- 6 Handle

- Rotate the fan module in the rack by 90° in a counter-clockwise direction (fig. 53).

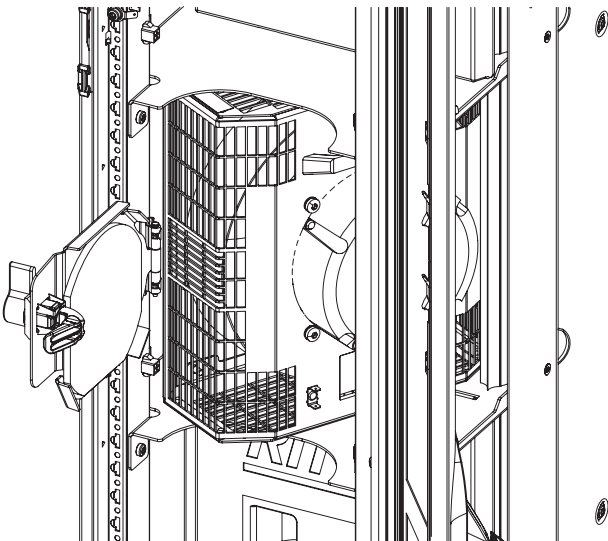


Fig. 53: Rotated fan module in fan tray

- Grasp the fan module with both hands on the left and right, and pull it out of the rack.

### 5.3.2 Installing a fan module



#### Note:

The installation site of individual fan modules may be varied according to the load.

As supplied, all rack mounts not fitted with a fan are sealed with a cover.



#### Warning! Risk of injury!

Before installing or removing a fan, remove the power from the relevant group of fans on the corresponding circuit-breaker.

- Remove the cover from the rack unit.

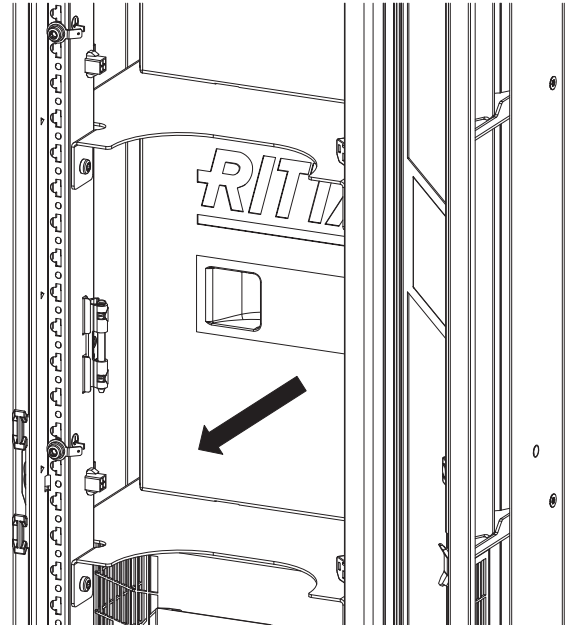


Fig. 54: Cover in the rack unit

- If necessary, turn the cover through 90°.

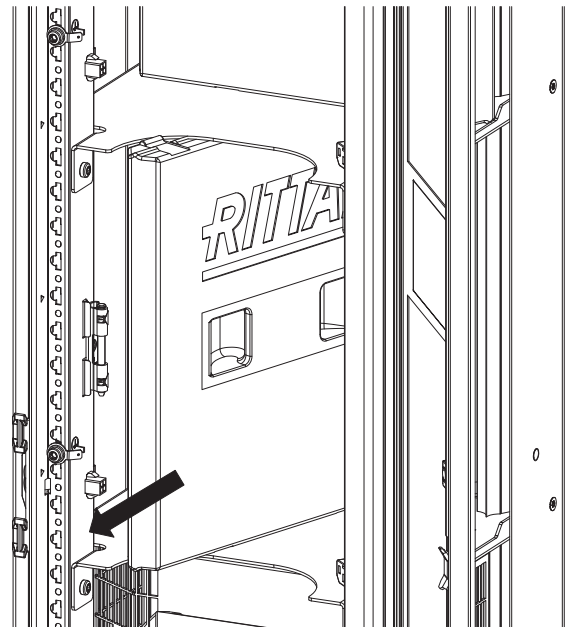


Fig. 55: Turned cover in the rack unit

- Push the hinge pins up or down with a screwdriver so that the fan door can be placed.

## 5 Assembly and siting

5

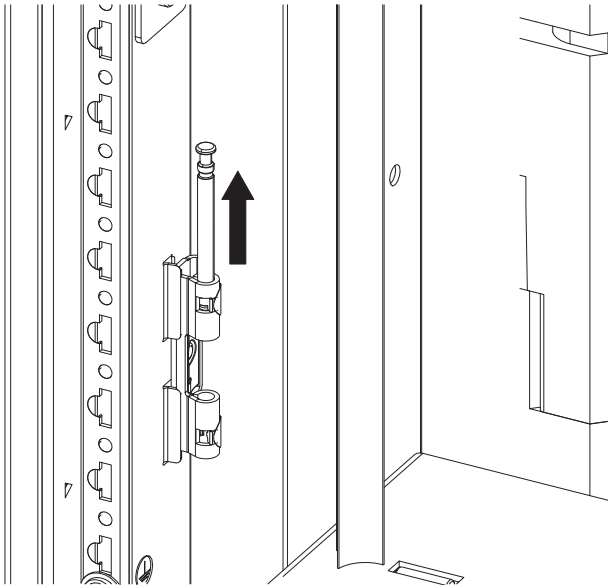


Fig. 56: Opening the hinge pins

- Place the fan door and close the hinge pins.



Fig. 57: Placing the fan door

- Place the fan module on the shelf turned through 90° and push it into the rack unit.

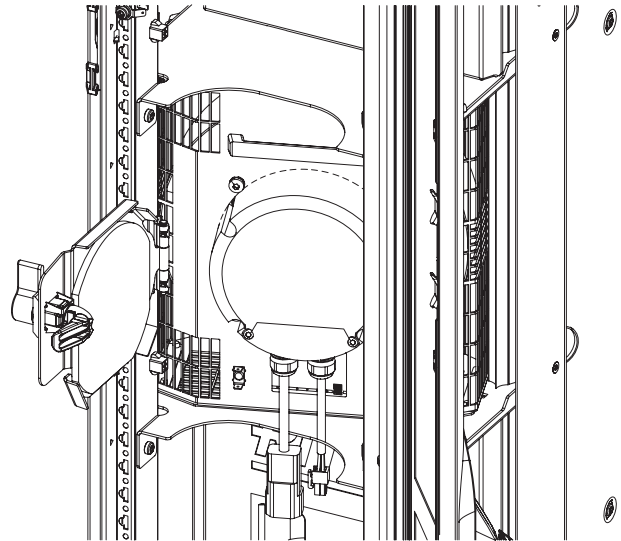


Fig. 58: Pushing in the fan module

- Rotate the fan module through 90° in a clockwise direction so that the connection cables are pointing towards you.
- Establish the earth connection to the fan module.
- On the left and right, insert one of the fan connectors into the corresponding socket on the Liquid Cooling Package.



Note:

When making the connection, ensure that both cables of the fan are not routed too close parallel to each other over longer paths. Fig. 52 shows an optimum laying of the cables.

- Close the fan door and so lock in place the fan in the rack unit.

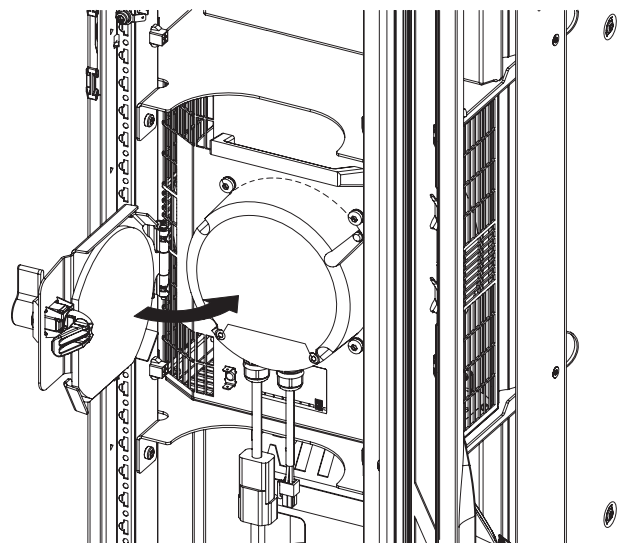


Fig. 59: Closing the fan door

- At the fuse box, re-connect the circuit-breaker for the pair of fans, one of which has been replaced.
- Activate the newly installed fan in the software (see section 7.2.4 "LCP configuration").

## 5.4 Install the optional display (SK 3314.030)



**Caution! Risk of injury!**  
When installing the display, there is the risk of injury caused by sharp edges inside the LCP. Wear personal protective equipment (PPE)!



Note:  
The display is factory-installed for the NSA versions.

In its delivered state, the front door of the Liquid Cooling Package is prepared for installing the optional display. The corresponding punch-out provided in the door can be broken out quickly and easily. The display connection cable is factory-installed in the Liquid Cooling Package.

- Open the front door of the Liquid Cooling Package.
- Break out the prepared punch-out from the front door of the Liquid Cooling Package.
- Push the display onto the studs from the inside until it rests against the door front (fig. 60, item 3) of the Liquid Cooling Package.

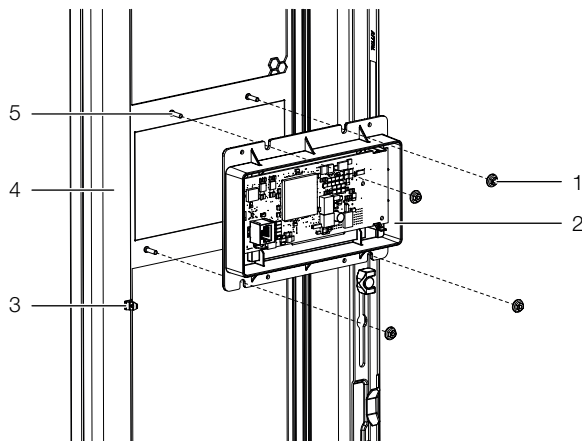


Fig. 60: Inserting and fastening the display

### Key

- 1 M3 nuts (4 x – max. torque 0.5 Nm)
- 2 Display
- 3 Front door earthing point
- 4 Front door
- 5 Studs

- Screw the M3 nuts onto the studs (max. torque 0.5 Nm) and fasten the display to the door inside.
- Plug the connection cable into the connection socket on the display rear.

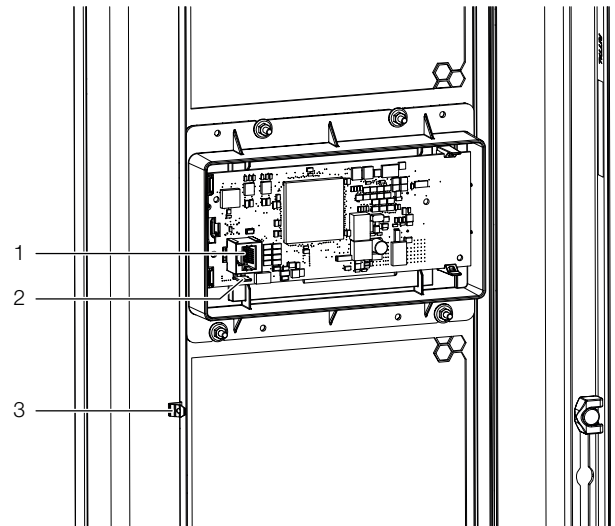


Fig. 61: Inserting the connection cable and earthing point

### Key

- 1 Connection socket
- 2 Flat plug connection for earthing
- 3 Front door earthing point

- Connect the enclosed earthing cable to the flat plug connection on the display rear and to the connection point provided on the front door.



Note:  
Further notes can be found in the accompanying note included with the display.

After being connected, the display starts and the main page of the user interface is displayed.

- Close the front door of the Liquid Cooling Package.



Note:  
To clean the display, use appropriate cleaning agents, such as normal household detergents, that do not attack the display surface.

## 5.5 Installing the optional condensate pump (SK 3314.012)



**Warning! Risk of injury!**  
Before installing the condensate pump, the LCP must be switched-off completely at the master switch and secured against unintentional re-activation.



**Caution! Risk of injury!**  
When installing the condensate pump, there is the risk of injury caused by sharp edges inside the LCP. Wear personal protective equipment (PPE)!

If it is not possible for the condensate to be discharged from the condensate tray using just the force of gravity,

## 5 Assembly and siting

a condensate pump should be installed. This condensate pump is activated automatically by the control when a level sensor signals an appropriate filling level in the condensate tray.

- Mount the condensate pump at the rear right at a distance of 830 mm – as described in the accompanying note – through the attachment holes on the frame of the Liquid Cooling Package.

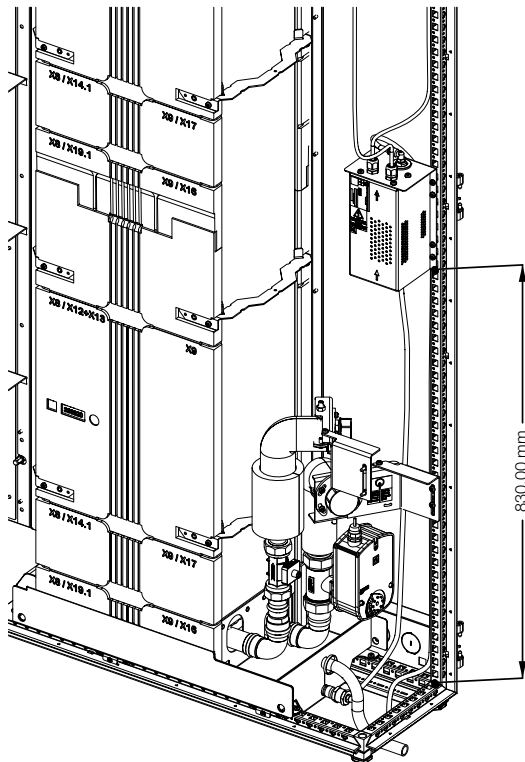


Fig. 62: Mounting height of condensate pump

The appropriate fastening screws are included in the scope of supply.

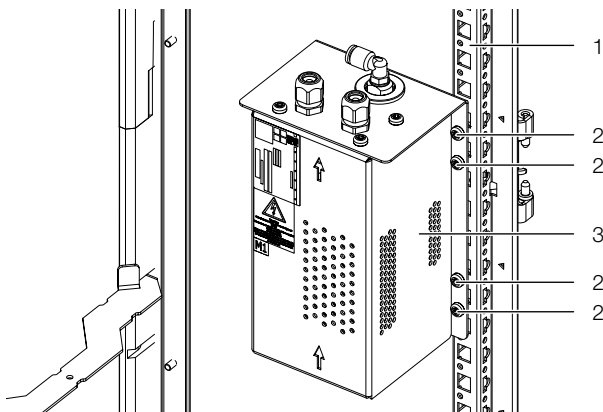


Fig. 63: Fastening the condensate pump

### Key

- 1 LCP frame
- 2 Fastening screws
- 3 Condensate pump

- Remove the condensate drainage hose at the lower drain of the condensate tray.

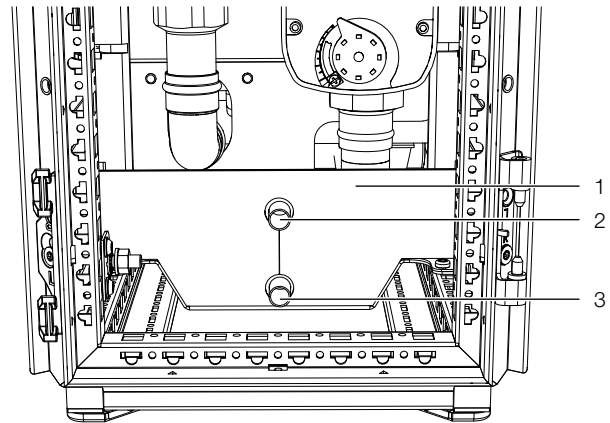


Fig. 64: Condensate discharge

### Key

- 1 Condensate tray
- 2 Upper condensate discharge (emergency overflow)
- 3 Lower condensate discharge

- Insert the adaptor from the scope of supply onto the lower condensate drain (fig. 64).
- Push the free end of the blue polyamide hose connected to the bottom of the condensate pump at the suction nozzle onto the adaptor.
- Route the free end of the blue hose connected to the top of the condensate pump at the pressure nozzle onto the adaptor to a wastewater connection with odour seal.

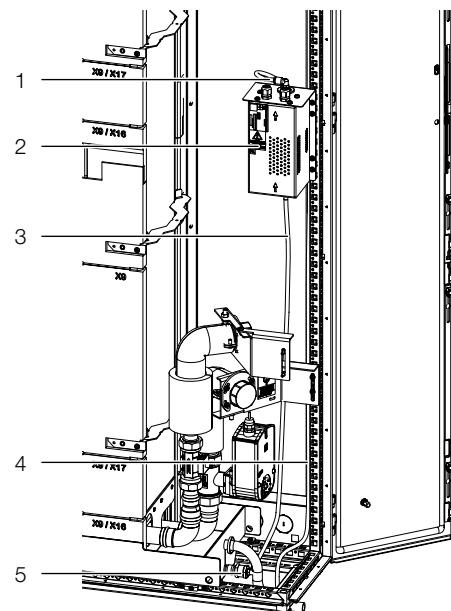


Fig. 65: Connecting the hoses to the LCP

### Key

- 1 Pressure nozzle
- 2 Condensate pump
- 3 Suction line
- 4 Hose to the wastewater connection
- 5 Adaptor





**Note:**

The drainage hose of condensate pump must not be connected directly to the wastewater system, but to a wastewater connection with odour seal. When connecting, always observe the valid technical regulations.

- Reconnect the hose, which you removed from the lower drain in the first step, to the upper condensate drain of the condensate tray (emergency drain).
- Secure the hose with the cable ties, from the scope of supply, to the connection.
- Also route this hose to a wastewater connection with odour seal (see section 6.1.4 "Connecting the condensate discharge").
- Connect the two connecting cables to the top of the condensate pump.

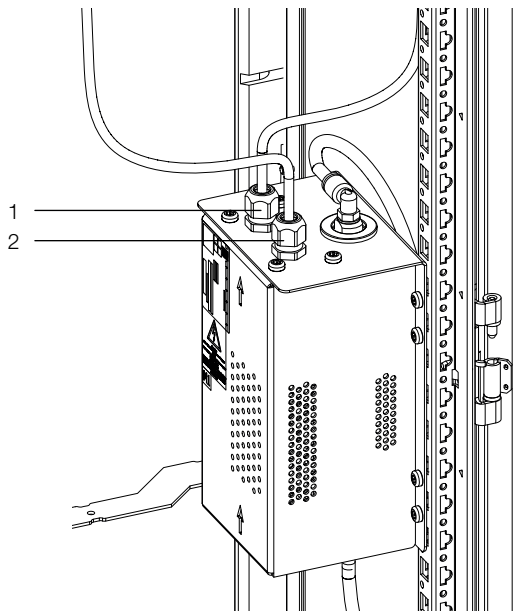


Fig. 66: Connection points on top of the condensate pump

**Key**

- 1 Control line (3-pole DC)
- 2 Power supply (3-pole AC)

- Route the DC and AC cables of the condensate pump separated upwards to the connection sockets in the LCP (fig. 68).

To ensure electromagnetic compatibility, pay special attention to the cable routing (fig. 67).

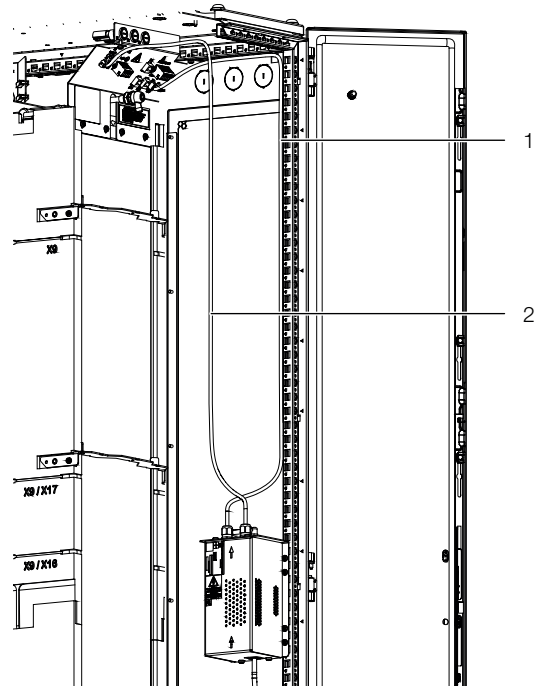


Fig. 67: Laying the connection cables

**Key**

- 1 Control line (3-pole DC)
- 2 Power supply (3-pole AC)

- Connect the connection cables to the appropriate connection sockets.

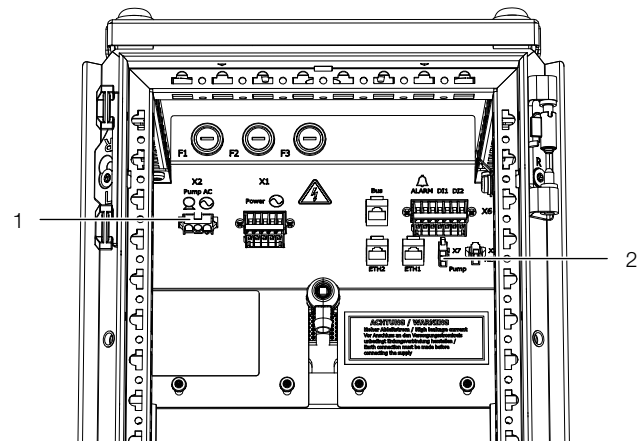


Fig. 68: Connection points – global version

**Key**

- 1 Power supply (X2)
- 2 Control line (X7)

# 5 Assembly and siting

5

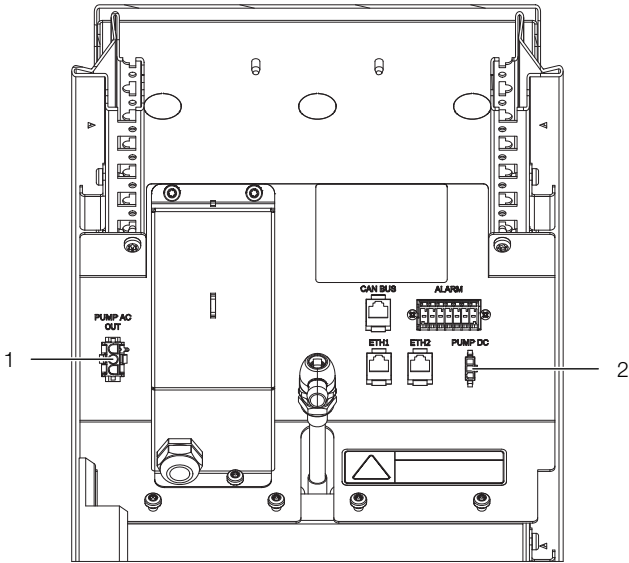


Fig. 69: Connection points – NSA version

**Key**

- 1 Power supply (pump AC out)
- 2 Control line (pump DC)

A level sensor must also be installed at the front of the unit.

- Remove the fan or the cover at the lowest position (see section 5.3.1 "Removing a fan module").
- Loosen each of the fastening screws at the left and right that fasten the lower cover plate and remove it.



**Note:**

When removing the cover plate, ensure that the grommet is retained.

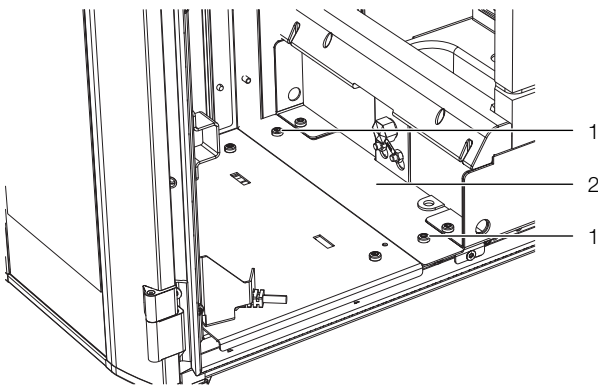


Fig. 70: Cover plate

**Key**

- 1 Fastening screws (2 x)
- 2 Cover plate

- Loosen and remove the two nuts (SW 10) that fasten the sensor holder and remove it.

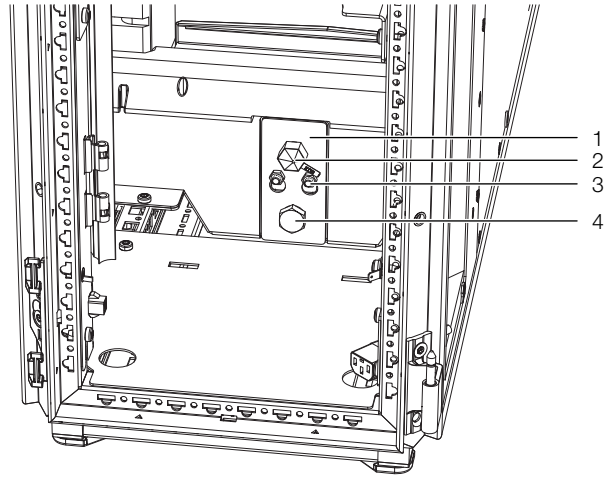


Fig. 71: Sensor holder and sensors

**Key**

- 1 Sensor holder
- 2 Leakage sensor
- 3 Fastening screws M6 (2 x)
- 4 Screw (SW 19)

- Loosen and remove the screw (SW 19) at the lower connection point of the sensor holder.

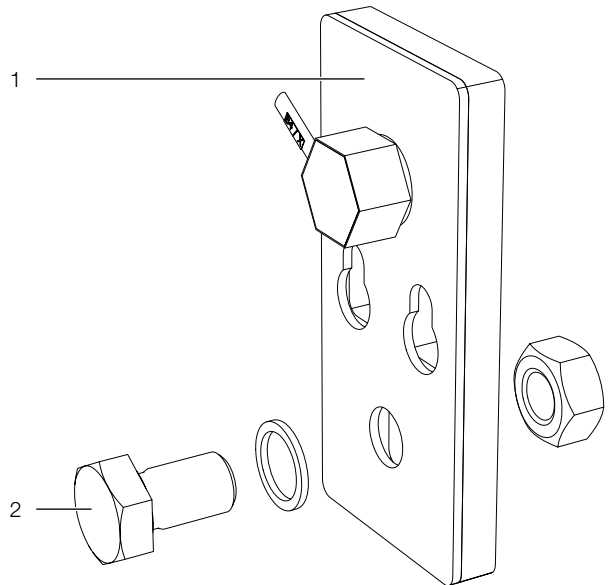


Fig. 72: Sensor holder

**Key**

- 1 Sensor holder
- 2 Screw (SW 19)

- Fasten the level sensor from the scope of supply to the condensate pump in the opening of the sensor holder.

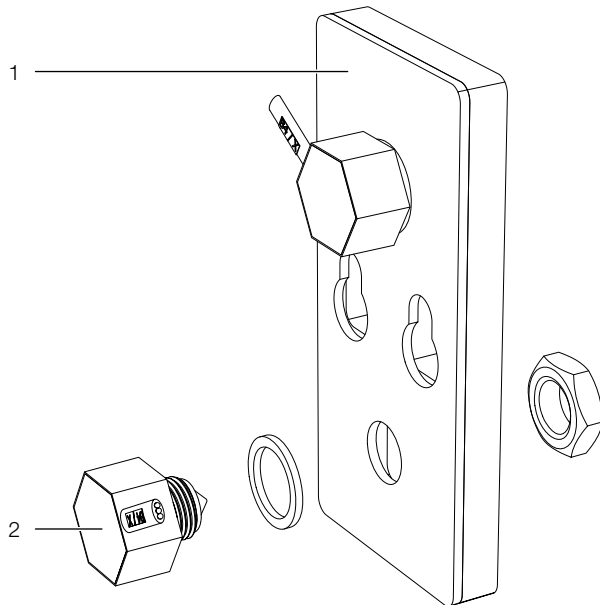


Fig. 73: Fastening the level sensor

#### Key

- 1 Sensor holder
- 2 Level sensor

- Feed the connection cable of the level sensor through the cable sleeve in the sensor holder to the appropriate connection cable X17, and connect it there (front right).
- Replace the sensor holder and the cover plate, and fasten both plates with the screws and nuts.
- Continue with the reinstallation of the fan module and cover.

### 5.6 Positioning the pressure sensors

For fan speed control according to the pressure difference, you will additionally need at least one or a maximum of two differential pressure sensors (7030.150). These are available as Rittal accessories.

- Mount the differential pressure sensor on the cold air side of the rack according to the instructions provided with the sensor.
- When fitting the air hoses, be careful not to position the two measurement points for reference pressure and comparison measurement in a direct airflow.
- Route the air hose on the "+" connector to a suitable location on the cold air side of the rack, and route the air hose on the "-" connector to the hot air side of the rack.
- Connect the pressure sensor to the CAN bus connection of the climate controller (see fig. 102).

The sensor is then managed under "Real Devices" in the selection tree on the LCP website.

# 6 Installation

## 6 Installation

During the installation of the unit, the personal protective equipment, consisting of at least waterproof protective gloves and safety goggles, must be worn.

### 6.1 Connecting the Liquid Cooling Package

#### 6.1.1 Electrical connection

##### General



Note:

Please keep this electrical documentation readily available so that it is always on hand when needed. This is the only documentation which is authoritative for the unit.



**Caution!**

**Work on electrical systems or equipment may only be carried out by an electrician or by trained personnel guided and supervised by an electrician. All work must be carried out in accordance with electrical engineering regulations.**

**The unit may only be connected after the above-named personnel have read this information.**

**Use only insulated tools.**

**Wear personal protective equipment.**

**The connection regulations of the appropriate electrical power company are to be followed.**

**The voltage values shown in the wiring plan or on the rating plate must match the mains voltage.**

**The pre-fuse specified in the wiring plan/rating plate should be provided to protect the cable and equipment from short-circuits. The unit must be individually fused.**

**The unit has a high discharge current. Before connecting to the power line and switching on the device it is essential, therefore, to make a 10 mm<sup>2</sup> earth connection (see section 16.5 "Wiring diagram and pin assignment").**



**Caution!**

**The unit must be connected to the mains via an isolating device which ensures at least 3 mm contact opening when switched off.**

**The appliance shall be installed in accordance with the national wiring regulations.**

**Electrical installation has to be carried out according to NEC and CEC for USA and Canada.**

**A disconnection incorporated in the fixed wiring has to be provided.**

**No additional control equipment may be connected upstream of the device at the supply end.**



Note:

Complete separation is the contact separation of a pole to ensure the equivalent to the base isolation in accordance with IEC 61058-1 between the supply grid and the parts to be separated.

Power to the Liquid Cooling Package is supplied via a separate 3-wire or 5-wire infeed, as desired. The global version of device is always delivered with a 5-pole mains connection socket so that the user can attach a connection cable with a mains plug (3-pole or 5-pole) that corresponds to local requirements. The NSA version of the device has a fixed connection with three terminals for the mains connection cable. The connection is made either from below or, alternatively, from above through the roof plate.

##### Connection from below

- Insert the connection cable on the rear of the device from below, through the floor.
- Route the connection cable upwards in the device on the right-hand enclosure frame.
- Ensure that the connection cable has sufficient strain relief (with cable ties, for example).

##### Connection from above

There are three corresponding punch-outs in the roof plate for inserting the connection cable into the LCP from above.

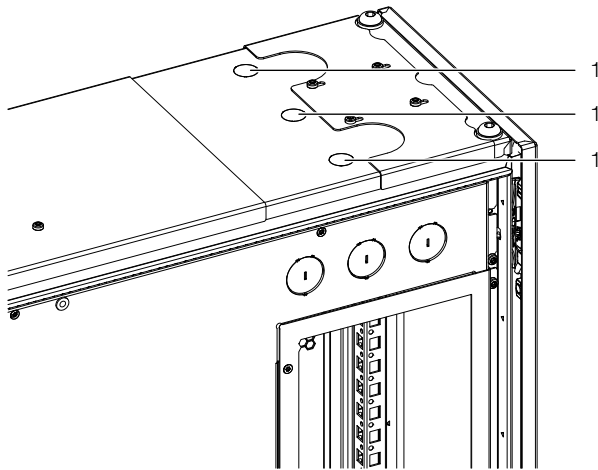


Fig. 74: Punch-outs in the roof plate of the LCP

### Key

- 1 Punch outs

- Remove the punch-out from the roof plate as required.
- Insert the connecting cable with a cable gland into the device from above.
- Ensure that the connection cable has sufficient strain relief (with cable ties, for example).

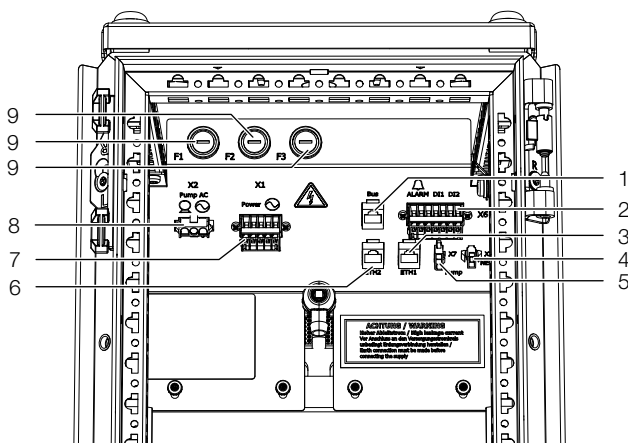


Fig. 75: Connections in the rear top area – global version

### Key

- 1 Connection CAN bus sensor (BUS)
- 2 Terminal strip X6 for alarm relay (floating contact, max. 48 V DC / 1 A or 250 V AC / 2 A) and 2 digital inputs (24 V at pins 4 and 6)
- 3 Network connection ETH1
- 4 Control line – optional condensate pump X3 (3312.012)
- 5 Control line – optional condensate pump X7 (3314.012)
- 6 Network connection ETH2
- 7 Terminal strip, 5-pole, for mains connection X1
- 8 Power supply – optional condensate pump (3312.012 and 3314.012)
- 9 Fuses F1, F2, F3

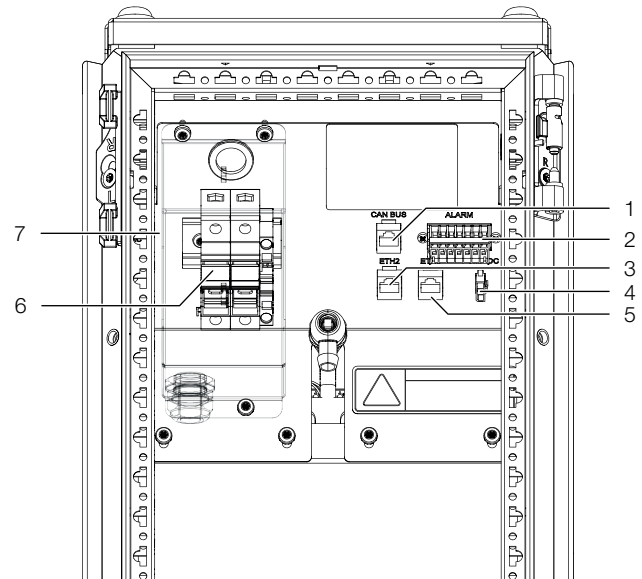


Fig. 76: Connections in the rear top area – NSA version

### Key

- 1 Connection CAN bus sensor (BUS)
- 2 Terminal strip for alarm relay (floating contact, max. 48 V DC / 1 A or 250 V AC / 2 A) and 2 digital inputs (24 V at pins 4 and 6)
- 3 Network connection ETH1
- 4 Control line – optional condensate pump X7 (3314.012)
- 5 Network connection ETH2
- 6 Terminal strip for mains connection (three terminals) with integrated fine-wire fuses
- 7 Power supply – optional condensate pump (3314.012)

### Note:

- LCP-VX global version 3 x 10 A, Rittal ID number 343449
- LCP-VX NSA version 2 x 15 A, Rittal ID number 350978

Two of the fan modules installed in the Liquid Cooling Package are on separate phases.

If the Liquid Cooling Package is connected to the mains using a 3-wire, single-phase, connection cable (L, N, PE), one of the phases of this cable must be bridged to the other two.

If the Liquid Cooling Package is connected to the mains using a 5-wire connection cable (3~, N, PE), three separate phases (L1, L2, and L3) are available.

If one of the phases fails, the device will continue to be supplied with power and will remain operational as follows:

#### Failure in phase L1:

The fans at positions 1 and 2 switch off, while the fans at positions 3 to 6 remain operational.

#### Failure in phase L2:

The fans at positions 3 and 4 switch off, while the fans at positions 1 and 2 and 5 and 6 remain operational.

# 6 Installation

## Failure in phase L3:

The climate controller is no longer supplied with power. The fans at positions 5 and 6 switch off. The fans at positions 1 to 4 go into so-called "fail-safe" mode with 100% fan speed, due to the absence of a setpoint from the control unit. Furthermore, the optionally installed condensate pump no longer has a supply voltage.

- In the supply line to the Liquid Cooling Package, please provide the fuse specified on the rating plate (for single-phase operation e.g. a 20 A pre-fuse), in order to maintain the necessary protection against short-circuits even if fully populated with four or six fans.

6



### Note:

Information on the cross-section of the connection cable may be found in section 16.5 "Wiring diagram and pin assignment".



### Danger!

**Take utmost care not to short-circuit one of the phases with the zero conductor or the earth conductor. Otherwise, there is a risk of damage or injury.**

## Electrical connection with the supplied 5-pole connector, global version

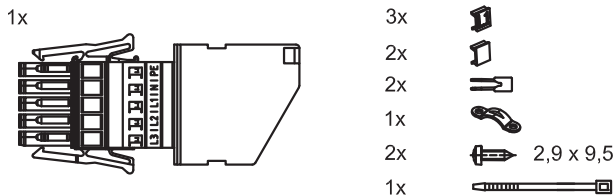


Fig. 77: Connector scope of supply

### 5-wire, 3-phase connection, global version

To connect the Liquid Cooling Package to the mains using a 5-wire, 3-phase connection cable (L1, L2, L3, N, PE), proceed as follows:

- Remove approximately 45 mm from the rubber sheathing of the flexible cable.
- Trim the neutral conductor (N) and the three phase conductors (L1, L2, and L3) to a length of approximately 35 mm. Leave the length of the PE conductor at approximately 45 mm.
- Remove approximately 9 mm from the insulation of all conductors with a suitable tool.

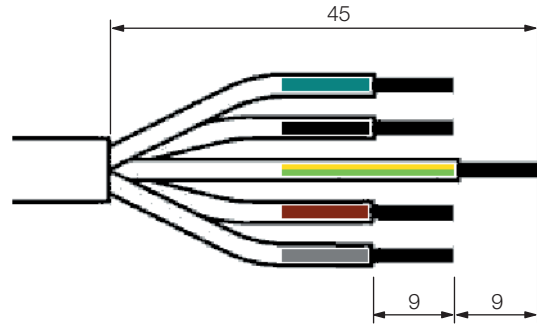


Fig. 78: Dimensions for removing the rubber sheathing and insulation

- Attach wire end ferrules without insulating collar to the ends of the cables, using a four-jaw pressing tool.
- Connect all conductors to the connector (X-Com plug).
- Insert a suitable screwdriver (blade size 3.5 x 0.5 mm) into an activation opening (fig. 80, item 1) and open the corresponding terminal connection of the conductor entry (fig. 80, item 2).
- Insert the conductor completely into the conductor entry and then remove the screwdriver to close the terminal connection.

346 - 415 V / 3~  
L3 | L2 | L1 | N | PE

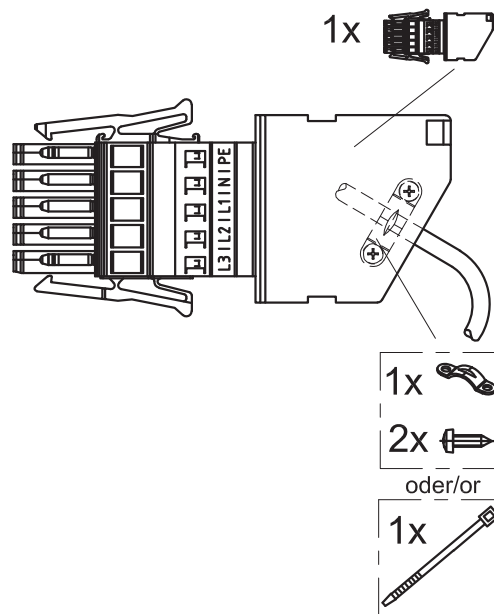


Fig. 79: Schematic diagram of the connector with three-phase connection

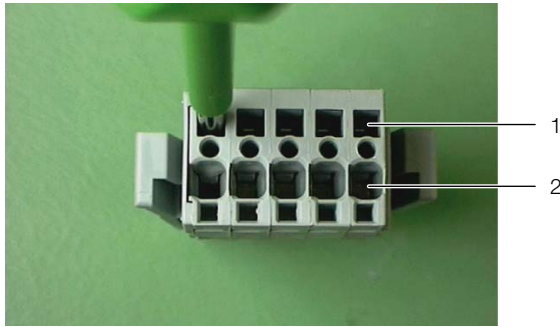


Fig. 80: Connector – rear

**Key**

- 1 Activation opening of the terminal connector for the conductor entry
- 2 Conductor entry



**Note:**  
The configuration of the connector may be found in section 16.5 "Wiring diagram and pin assignment".

- Press the bottom piece of the strain relief housing from below onto the connector.
- Guide the conductors in the strain relief housing, as shown in fig. 81, and secure the sheathed flexible cable to the strain relief housing with a cable clamp.

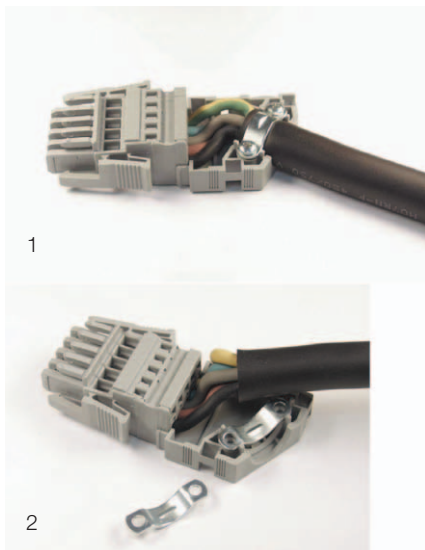


Fig. 81: Connector with strain relief housing

**Key**

- 1 Strain relief for conductors with  $\varnothing > 12$  mm
- 2 Strain relief for conductors with  $\varnothing < 12$  mm



**Note:**  
To ensure adequate strain relief even with cables with a diameter of  $< 12$  mm, it is necessary to install a second cable clamp underneath the cable (fig. 81, item 2).

- Close the strain relief housing by pressing the top piece of the housing onto the bottom piece from above (fig. 82).

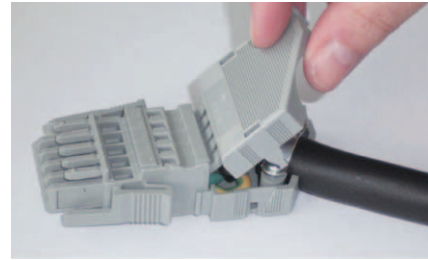


Fig. 82: Closing the strain relief housing

**3-wire, single-phase connection, global version**



**Caution!**  
With a 3-wire, single-phase connection, the conductor cross-section must be at least  $2.5 \text{ mm}^2$ .

To connect the Liquid Cooling Package to the mains using a 3-wire, single-phase connection cable (L1, N, PE), proceed as follows:

- Remove approximately 45 mm from the rubber sheathing of the flexible cable.
- Trim the neutral conductor (N) and the phase conductor (L) to a length of approximately 35 mm. Leave the length of the PE conductor at approximately 45 mm.
- Remove approximately 9 mm from the insulation of all conductors with a suitable tool.

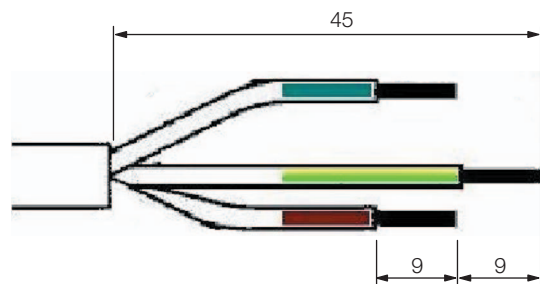


Fig. 83: Dimensions for removing the rubber sheathing and insulation



**Note:**  
The example shows colour coding to DIN VDE 0293:  
blue = neutral conductor N  
brown = phase conductor L  
yellow/green = PE conductor

- Attach wire end ferrules without insulating collars to the ends of the conductors. To crimp the wire end ferrules, use a suitable crimping tool with an integral lock to prevent the tool from opening prematurely.
- Bypass the phase connections on the connector using the two bridges supplied. Place one bridge between

# 6 Installation

phase conductors L1 and L2 and one bridge between phase conductors L2 and L3.

200 - 240 V / 1~  
L1 | L1 | L1 | N | PE

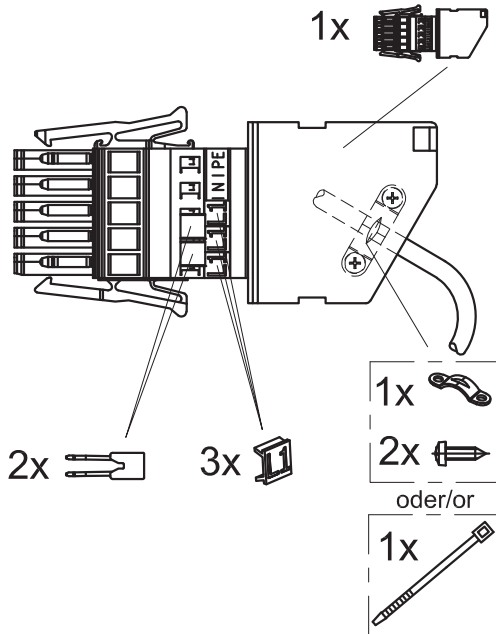


Fig. 84: Schematic diagram of the connector with single-phase connection

- Place in the connector the correct designation from the scope of supply (3 x L1) over the phase connections.
- To connect the connector, proceed as described in the section "5-wire, 3-phase connection".

### 3-wire, single-phase or two-phase connection, NSA version



**Caution!**

**The conductor cross-section must be at least 2.5 mm<sup>2</sup> for a 3-wire, single-phase or two-phase connection.**

The Liquid Cooling Package is connected to the mains with a 3-wire, single-phase or two-phase connection cable (L1, L2 (N), PE) via a fixed wiring to a terminal connection. The three connection terminals are located under a cover.

- Loosen the three fastening screws that secure the cover over the terminal strip.

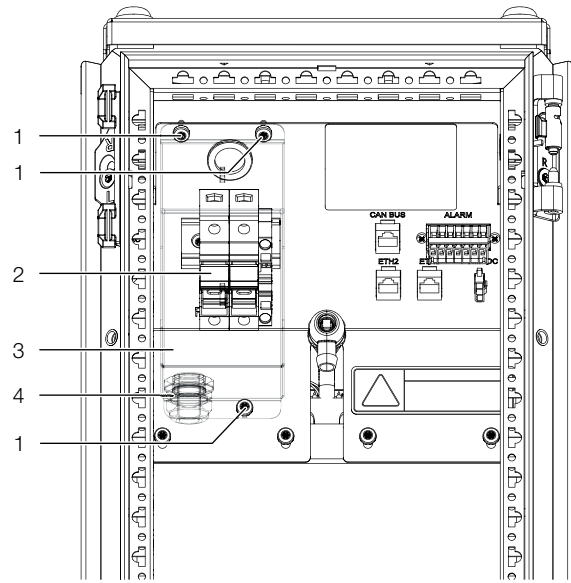


Fig. 85: Terminal strip for mains connection (fixed wiring) – NSA version

**Key**

- 1 Cover fastening screws
- 2 Terminal strip for mains connection (three terminals) with integrated fine-wire fuses
- 3 Cover
- 4 Cable gland

- Insert the mains connection cable through the cable gland into the terminal strip cover.
- Connect the mains connection cable to the corresponding terminals in accordance with the circuit diagram specifications.
- Replace the cover over the terminal strip and fasten it with the three associated screws.

Alternatively, the connection can also be performed from above.

- Mount a second cable gland to the top of the LCP CW roof plate.
- Insert the mains connection cable through this cable gland into the device.
- Perform all subsequent work similarly as when connecting from below (insert the cable through the lower cable gland in the cover, connect and place the cover).

### 6.1.2 Potential equalisation

If the unit is to be integrated into the customer's existing potential equalisation system, a conductor should be connected to the potential equalisation connection point. The connection point is marked with the requisite switch symbol.



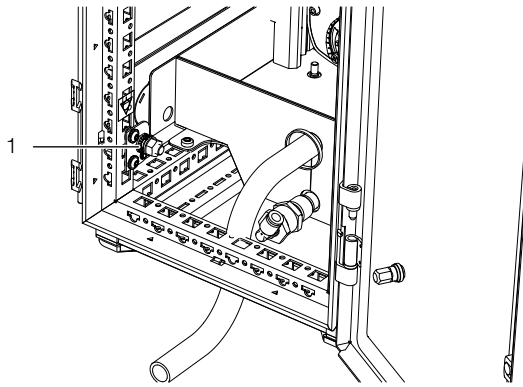


Fig. 86: Potential equalisation

**Key**

- 1 Potential equalisation

### 6.1.3 Cooling water connection

The Liquid Cooling Package is connected to the cold water network via two 1½" threaded pipe connections (external thread) on the inlet and return, located on the lower rear of the unit. The connection nozzles are positioned horizontally, inclined to the rear.



**Caution! Risk of injury!**  
**When attaching the cooling water pipes, there is the risk of injury caused by sharp edges inside the LCP. Wear personal protective equipment (PPE)!**

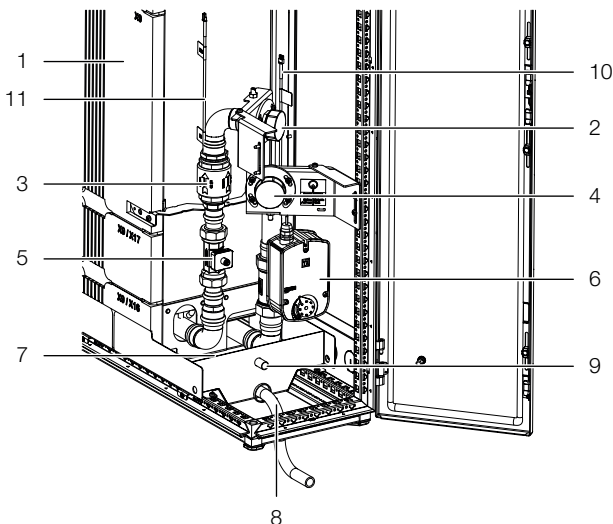


Fig. 87: Cooling water connection

**Key**

- 1 Heat exchanger
- 2 Cooling water return with G1½" external thread
- 3 Non-return valve
- 4 Cooling water inlet with G1½" external thread
- 5 Volume flow measurement unit
- 6 Control valve
- 7 Condensate tray
- 8 Condensate discharge without condensate pump
- 9 Emergency overflow
- 10 Temperature sensor, inlet
- 11 Temperature sensor, return

Connection is made in a downward direction into a raised floor (if available), or alternatively in an upward direction out of the device. The dimensions of the mounting openings required for connection are shown in the overview sketch in section 16.3 "Overview drawings".

- When connecting at the top, loosen the four assembly screws of the roof plate.

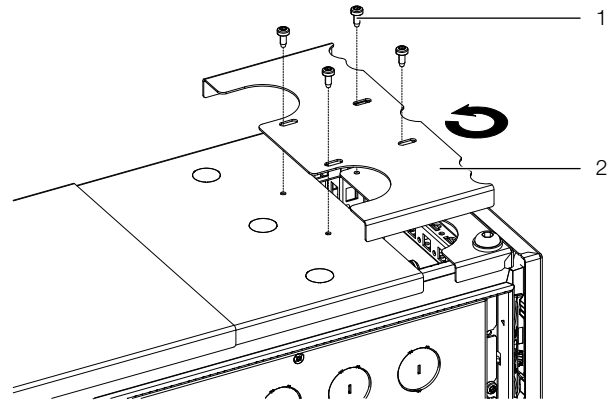


Fig. 88: Rotate the roof plate

**Key**

- 1 Fastening screws
- 2 Roof plate

- Rotate the roof plate through 180° and re-attach it in this position with the same four assembly screws.

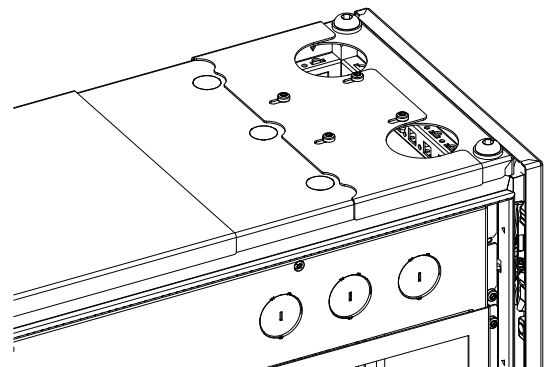


Fig. 89: Rotated roof plate



**Caution! Risk of injury!**  
**When attaching the cooling water pipes, there is the risk of injury caused by escaping refrigerant, in particular glycol. Wear personal protective equipment (PPE)!**



**Note:**  
 If possible, use flexible hoses for the cooling water connection (see section 15 "Accessories").

## 6 Installation



### Note:

If the connection is made upwards out of the unit, fix the connection hoses left and right to the frame of the LCP. This does not affect the air intake.



### Note:

The cooling water connection must **always** be made with union nuts, even if you choose not to use the Rittal hose connection kit (SK 3311.040). This hose connection kit includes suitable union nuts in addition to the connection hoses.



### Caution!

**When installing, observe the applicable specifications concerning water quality and water pressure.**

In case of a low water inlet temperature, the inlet and return lines should be appropriately insulated. If this is not done, condensate may form on the supply lines.



### Note:

Immediately after connecting the water circuit, the flow rate may be monitored by fitting the device with an optional display with touch function. To do this, first check whether the control valve is completely open (see section 8.2.3 "Operation in stand-alone mode"). If the control valve is closed or only partially open, it can be opened in manual mode via the web interface (see section 8.5.12 "Features").



### Note:

The pipework in the building should be designed according to the Tichelmann Principle (fig. 93) in order to maintain a hydraulically balanced system.

If this is not the case, the flow volume of each Liquid Cooling Package must be assured by using a flow quantity regulator.

Ideally, the Liquid Cooling Packages are connected to the cooling water circuit via a water/water heat exchanger when using a water/glycol mixture.

### Pros:

- Reduction of water volumes in the secondary circuit,
- Setting of a defined water quality,
- Setting of a defined input temperature and
- Setting of a defined volumetric flow.

### General remarks on the cold water system

IT climate control poses a major challenge for the cold water system, because the IT equipment whose heat loss is to be dissipated by the cold water system can undergo multiple load changes per minute. This hysteresis is transferred directly to the cold water system, leading to a fluctuating  $\Delta T$ . If this causes a major load step, leading to a rapid increase in heat loss, cold water must be made available immediately by the cold water system. Depending on the distance of the cooling unit from the IT cold water circuit, this can create a significant dead time during which no water is available to cool the IT heat loss.

Because of hysteresis induced by the IT equipment,  $\Delta T$  fluctuations in the cold water circuit are unavoidable. Fluctuations of between 1 K and 10 K are not uncommon in IT climate control. For this reason, the usual  $\Delta T$  of 6 K for a cold water circuit cannot be used to calculate the pipework. In the case of Liquid Cooling Packages, the volumetric flow required for the rated cooling output is always specified. With this volumetric flow, the correct pipe dimensions can be selected when calculating the pipework. Because very high cooling outputs of up to 53 kW are required for each Liquid Cooling Package, in addition to individual sections of pipe it is also advisable to hydraulically regulate the individual connection lines.

### Example of an injection circuit

Fluctuations in the  $\Delta T$  in the cold water circuit can be compensated using a hydraulic circuit. For example, by assembling an injection circuit, the cold water system is able to counteract the hysteresis generated by the IT equipment.

With the injection circuit, the primary circuit is installed as close as possible to the secondary circuit. The second-

any circuit is assembled in the immediate vicinity of the equipment. The cold water is able to circulate permanently in the primary circuit, and is therefore always available when needed by the secondary circuit. Without this circuit, the cold water would first need to cover the entire distance from the producer to the equipment whenever the flow rate is altered by the equipment. Here too, there may be a significantly lower temperature in the primary circuit than in the secondary circuit, e.g. 6 °C in the primary circuit and 15 °C in the secondary circuit as a result of mixing.

In this way, the primary circuit pump 1 permanently provides the secondary circuit with water. The mixer valve in the return limits the volume of water flowing out of the secondary circuit and back into the primary circuit. This therefore limits the incoming water volume as well. The secondary circuit pump allows the entire volume of water required for cooling in the secondary circuit to circulate, and is responsible for mixing the temperatures. Pump 2 allows water from the secondary return to be "injected" into the secondary inlet via the bypass. In this way, cold water from the primary circuit is raised directly to the correct temperature level. The injection circuit is just one example of many possibilities for adapting the cold water system to the requirements of IT climate control.

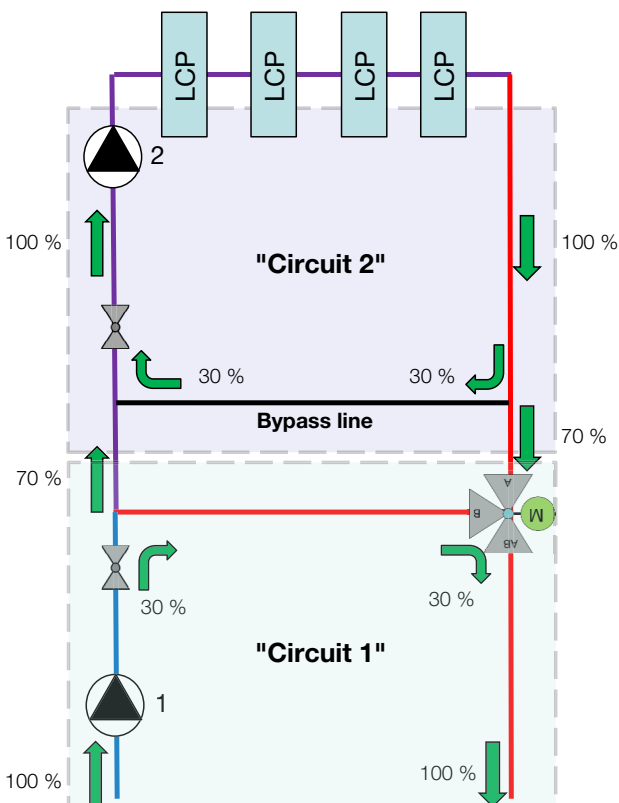


Fig. 90: Injection circuit (layout diagram)

In the LCP, a sensor built into the upstream end measures the water flow rate without any moving components. The measurement range of this flow meter is between 5 l/min and 150 l/min for the 30 kW CW unit, the 53 kW CW unit and the CWG units. The measurement uncertainty is in the range of 1% FS for flow rates below

10 l/min and approx. 0.3% FS for flow rates above 10 l/min.

If the server racks are initially only equipped with minimal IT equipment, or if operating at low water inlet temperatures (e.g. 10 °C), the flow rate will be low. If this flow rate falls below the aforementioned limits, this may lead to system warnings from the flow meter. These warnings may be deactivated by configuring the parameters "System Warning min. Flow" and "System Warning min. Valve" (see section 7.2.4 "LCP configuration")

Alternatively, the occurrence of such error messages can also be avoided by using the injection circuit. To this end, the supplied cooling water from the primary and secondary circuit must be mixed differently to create a higher inlet temperature.

### Tichelmann principle and hydraulic balancing

For an efficient cold water supply to the Liquid Cooling Package, the cold water system must be hydraulically balanced. If the hydraulics are not balanced, the LCP systems will not be supplied homogeneously with the required volume of cold water. This will adversely affect efficient operation.

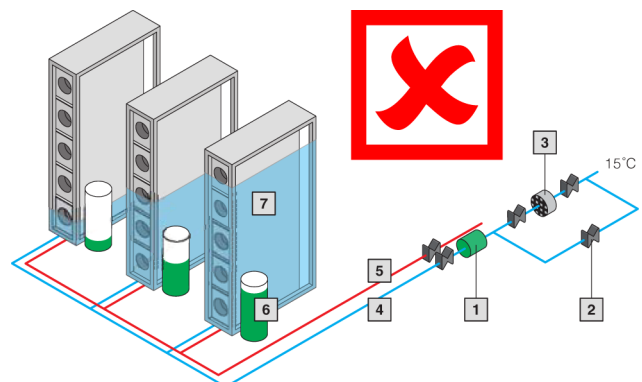


Fig. 91: Cooling distribution without hydraulic balancing

#### Key

- 1 Circulating pump
- 2 Shut-off valve
- 3 Fine filter
- 4 Inlet
- 5 Return
- 6 Pump pressure
- 7 Cooling supply
- 8 Pipe friction pressure loss
- 9 Opening degree of control valve
- 10 Control valve

Here, hydraulic balancing can be achieved via circuit control valves.

# 6 Installation

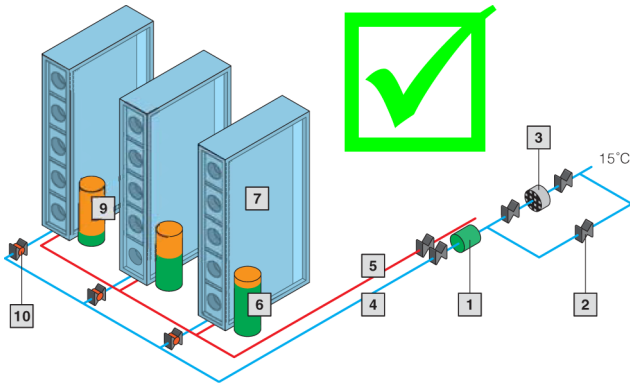


Fig. 92: Cooling distribution with hydraulic balancing

If, on the other hand, the individual connection lines for the LCP systems are laid according to the "Tichelmann" connection principle, hydraulic balancing is not necessary. With this connection variant, all individual connection lines have the same pressure loss.

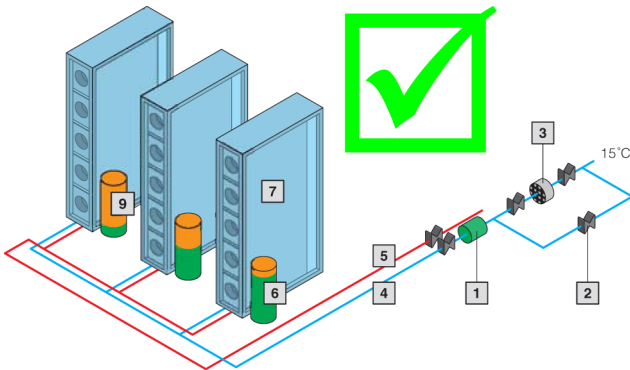


Fig. 93: Cooling distribution with Tichelmann principle

**Note:**  
Before commencing operation with water, all supply lines must be adequately flushed.

**Note:**  
To avoid the loss of fluids due to diffusion for closed systems, it is recommended to deploy automatic filling with conditioned additive water.

**Note:**  
The 2-way control valve used in the device is opened at zero current.

### 6.1.4 Connecting the condensate discharge

Any condensate which may develop is collected in the condensate tray (fig. 94, item 1) in the water module of the Liquid Cooling Package.

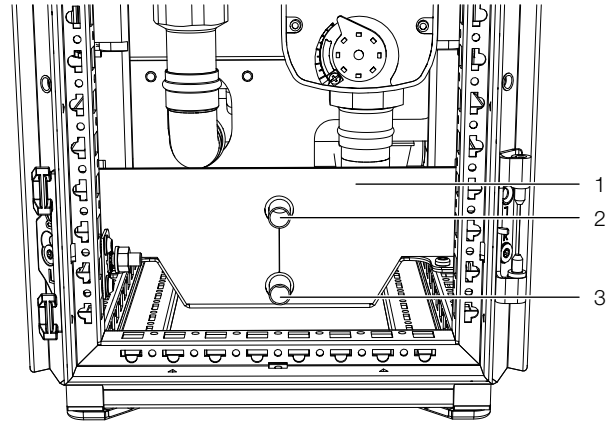


Fig. 94: Condensate discharge

**Key**

- 1 Condensate tray
- 2 Upper condensate discharge (emergency overflow)
- 3 Lower condensate discharge

**Note:**  
The condensate drain must not be connected directly to the wastewater system, but to a wastewater connection with odour seal. When connecting, always observe the valid technical regulations.

The Liquid Cooling Package is additionally equipped with a condensate discharge (fig. 94, item 3 or item 2) via which the condensate is pressurelessly routed out of the Liquid Cooling Package.

A hose is connected to the condensate drain at the factory. This hose must be routed to a drain with odour seal by the customer, so that any condensate can be discharged from the device.

If a leak occurs in the water circuit, upon reaching a defined level in the condensate tray, a message is triggered by the leak sensor. The status of the control valve may be set depending on this "leak message" (see section 7.2.4 "LCP configuration"). If the option **Emergency Mode** is selected, the control valve will close completely, whereas if the option **Only Alarm Message** is selected, only an alarm message is output.

**Note:**  
In order to ensure safe condensate discharge, the following points should be observed:

- Lay the drainage hose so that it always runs downhill and without any kinks.
- Do not constrict the hose cross section.

**Note:**

In order to avoid increased condensation and to reduce energy use, the cooling water temperature should be adapted to match the required cooling output.

### 6.1.5 Bleeding the air from the heat exchanger

**Warning!**

**Danger caused by anti-freeze and splashing water!**

- **Wear safety goggles and protective gloves.**

A vent valve is installed at the uppermost point of the heat exchanger package in the Liquid Cooling Package. Proceed as follows during the commissioning for bleeding the heat exchanger:

- Open the rear LCP door.
  - Connect the drainage hose, included with the accessories, on the top at the vent valve on the plug connector (fig. 95, item 2).
  - Route the other end of the hose into a container.
  - Open the vent valve (fig. 95, item 1) with the square key supplied.
  - Close the vent valve again when no further air bubbles are visible in the collecting container.
- The heat exchanger has now been bled.

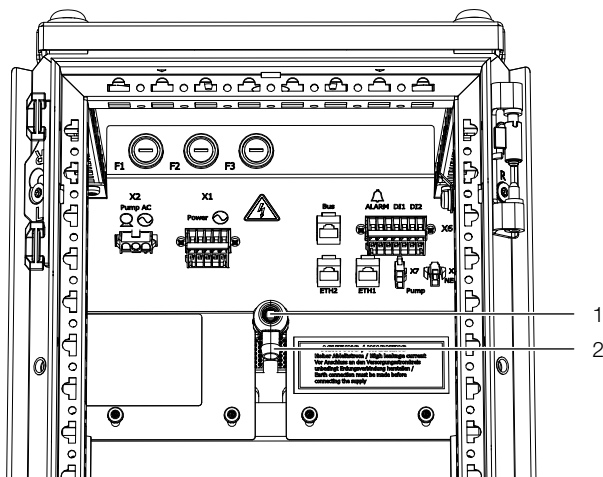


Fig. 95: Bleeding the air from the heat exchanger

**Key**

- 1 Vent valve
- 2 Connection drainage hose

- Then close the LCP door at the rear.

**Note:**

The system is usually bled during the course of commissioning. After bleeding, the vent valve must be closed again.

## 6.2 Cooling operation and control characteristics

When the Liquid Cooling Package is supplied with power, the control valve controls the cooling water flow according to the setpoint temperature. For more detailed explanations, please refer to section 3.1 "General functional description".

Detailed diagrams on cooling output and pressure loss may be found in section 16.2 "Characteristic curves".

# 7 Configuration

## 7 Configuration

### 7.1 General

Basic configuration of the Liquid Cooling Package, particularly the (one-off) adjustment of the network settings, may be carried out in various ways:

1. HTTP connection via the Ethernet interface
2. Telnet/SSH connection via the Ethernet interface
3. Serial connection via a USB cable

The settings are generally made via an HTTP connection. If this is not possible, for example because access via HTTP or HTTPS has been deactivated, we recommend access via a Telnet/SSH connection. To this end, as with access via an HTTP connection, the IP address of the climate controller integrated into the Liquid Cooling Package must be known. If this address is not known, the device may be accessed directly via the USB-C/serial interface on the front.

The following descriptions assume that the Liquid Cooling Package, and in particular the climate controller, are in their delivered state, i.e. that no changes have been made to the basic configuration. In particular, the connection types "HTTP" and "Telnet/SSH" must not be blocked.

### 7.2 HTTP connection

#### 7.2.1 Making the connection

- Using a network cable, connect the device to your computer via the Ethernet interface (fig. 75, item 3).



Note:

Depending on your computer, you may need to use a crossover cable.

- Change your computer's IP address to any address within the range 192.168.0.xxx, e.g. **192.168.0.191**. The device's preset address **192.168.0.190** must not be used.
- Set the subnet mask to the value **255.255.255.0**.
- If applicable, switch off the proxy server in the browser to facilitate a direct connection to the device.
- In the browser, enter the address **http://192.168.0.190** (fig. 96, item 1). The log-on dialogue for registering the device will appear.

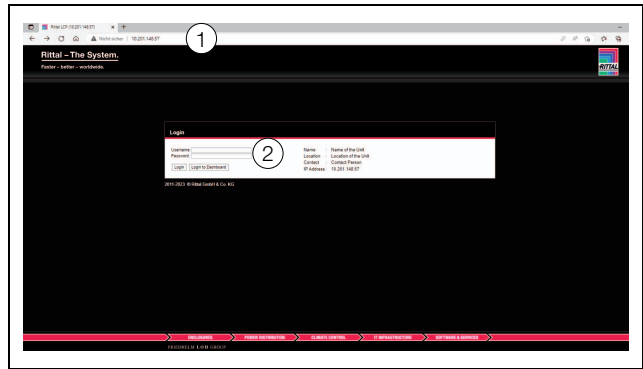


Fig. 96: Log-on screen with an HTTP connection

- Log in with the username **admin** and the password **admin** (fig. 96, item 2).

The overview window for the device will appear (fig. 97).

#### 7.2.2 Changing the network settings

As a general rule, during the course of commissioning, the network settings of the climate controller will only need to be changed once, so that it is linked into your network structure.

- In the left-hand section of the overview window (navigation area), click on the **Processing Unit** entry (fig. 97, item 3) and in the right-hand section (configuration area), click on the **Configuration** tab (fig. 97, item 4).

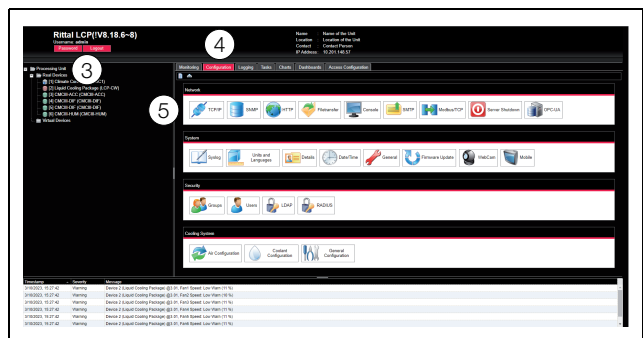


Fig. 97: Adjusting the TCP/IP settings

- In the group box Network, click on the TCP/IP button (fig. 97, item 5).

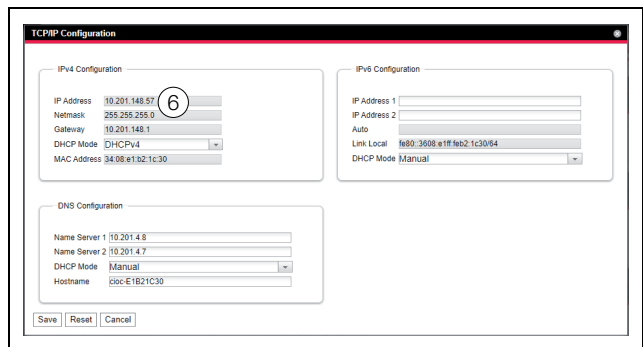


Fig. 98: Adjusting the TCP/IP settings

**Note:**

The following sections describe in detail how to make the setting for the IPv4 protocol. Further notes regarding the TCP/IP configuration are contained in the assembly and operating instructions for the IoT Interface 3124.300.

- In the **TCP/IP Configuration** window, change the device's IP address in the **IPv4 Configuration** group box to an address permitted in the network (fig. 98, item 6).
- If necessary, correct the settings for the subnet mask and the gateway.
- Alternatively, select the "DHCPv4" setting instead of "Manual" for automatic IP allocation.
- Click on the **Save** button to change your settings.

**Note:**

If the **Save** button cannot be clicked, an incorrect entry has been made. In such cases, check your entries and correct them.

- Change the network settings of your computer to the original IP address and subnet mask values.
- Disconnect the network cable from your computer.
- Using a network cable, connect the device to your computer via the Ethernet LAN (fig. 75, item 3).

**Note:**

If you have activated automatic IP allocation ("Use DHCP" setting is activated), the IP address of the climate controller may be viewed via the USB-C interface (see the assembly and operating instructions for the IoT Interface 3124.300).

### 7.2.3 Changing the measurement units

**Note:**

After any adaptation of the units, all temperature values and flowrates of the Liquid Cooling Package are set to the default values. Consequently, you should set the units (once) as desired and the limit values specified only on completion. If the units should be changed subsequently, note all setting values of the LCP so you can restore them manually.

The measurement units used may be converted from "°C" to "°F" and from "litres" to "gallons". After registering on the Liquid Cooling Package (see section 7.2.1 "Making the connection"), the Web interface for device operation is displayed.

- In the left-hand section of the overview window, click on the **Processing Unit** entry and in the right-hand section, click on the **Configuration** tab.
- In the group box **System**, click on the **Units and Languages** button.
- In the **Units and Languages Configuration** window in the group box **Units**, under the "Temperature Format" dropdown list, select the entry "Fahrenheit" if preset to "Celsius", and vice versa.
- In the dropdown list "Volume Format", select the entry "Gallon" if preset to "Litre", and vice versa.
- Click on the **Save** button to change your settings.

**Note:**

While the units are being converted, the Liquid Cooling Package switches to failsafe mode.

### 7.2.4 LCP configuration

The basic settings for the Liquid Cooling Package are defined in the **Cooling System** group frame. To do this, call the appropriate dialogue by clicking each of the **Air Configuration**, **Coolant Configuration** and **General Configuration** buttons.

**Note:**

"Admin" rights are required to access configuration settings.

- Click the required button in the **Cooling System** group frame.

**Caution!**

**Changes to the configuration are for service purposes only and for setting key operating parameters, which should only be carried out by Rittal service personnel.**

# 7 Configuration

## Air Parameter Configuration dialogue

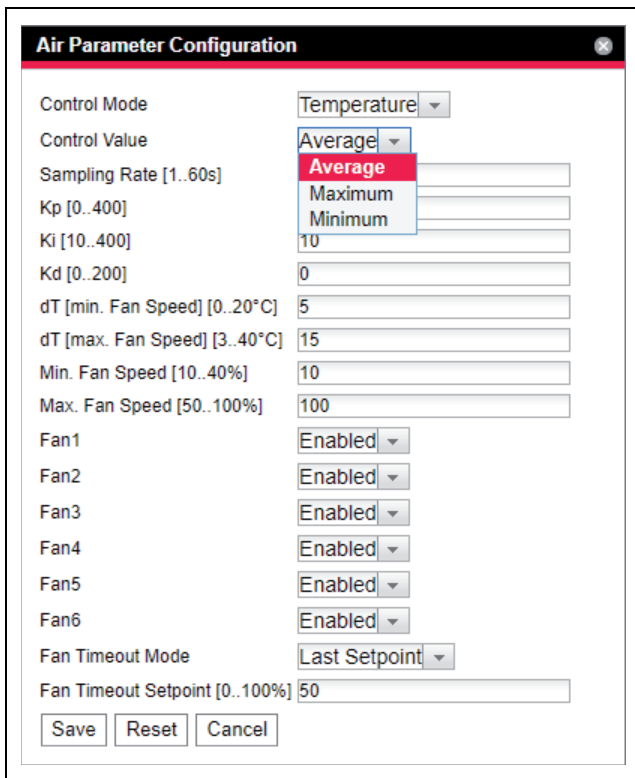


Fig. 99: Air Parameter Configuration dialogue

- Using the "Control Mode" parameter, determine whether the fan is controlled via the temperature difference ("Temperature") or the pressure difference ("Differential Pressure") in front of and behind the server rack's built-in devices.

### Fan control according to temperature difference

Parameter	Explanation
Control Value	This setting allows you to determine whether the fans in "Automatic" mode are controlled by the average of the server outlet temperature or the pressure difference ("Average" setting), the maximum value ("Maximum" setting) or the minimum value ("Minimum" setting).
Sampling Rate	Controller sampling time when regulating the fans via the pressure difference.
Kp	Parameter for setting the proportional part of the PID control algorithm when regulating the fans via the pressure difference.
Ki	Parameter for setting the integral portion of the PID control algorithm when regulating the fans via the pressure difference.
Kd	Parameter for setting the differential portion when regulating the fans via the pressure difference.

Tab. 23: Settings in the Air Parameter Configuration dialogue

Parameter	Explanation
dT min. Fan Speed	When regulating the fans via the temperature difference: The fans operate at the lowest fan speed below this temperature difference (see parameter "Min. Fan Speed"). Preset value: 5. Linear fan control occurs in the range between the "dT min. Fan Speed" and "dT max. Fan Speed" values.
dT max. Fan Speed	When regulating the fans via the temperature difference: The fans operate at the highest fan speed above this temperature difference (100%). Preset value: 15. Linear fan control occurs in the range between the "dT min. Fan Speed" and "dT max. Fan Speed" values.
Min. Fan Speed	In the "Automatic", "Manual" and "Minimum" operating modes, the fans will at least run at this set speed. <b>"Automatic" operating mode</b> When regulating the fans via the temperature difference: If this difference is less than or equal to the "dT min. Fan Speed" value, the fans will run at the minimum speed set here. When regulating the fans via pressure difference: The speed set here is the minimum rotational speed of the fans. <b>"Minimum" operating mode</b> All fans will always run at the minimum speed set here. <b>"Manual" operating mode</b> If a speed is entered which is less than the minimum speed set here, the value is automatically corrected to the minimum speed. Exception: If a speed of "0%" is entered, the fans will be switched off. Preset value: 10%
Max. Fan Speed	Maximum fan speed. In the "Automatic", "Manual" and "Minimum" operating modes, the fans will at maximum run at this set speed. <b>"Automatic" operating mode</b> When regulating the fans via the temperature difference: If this difference is higher than or equal to the "dT max. Fan Speed" value, the fans will run at the maximum speed set here. When regulating the fans via pressure difference: The speed set here is the maximum rotational speed of the fans. <b>"Maximum" operating mode</b> All fans will always run at the maximum speed set here. <b>"Manual" operating mode</b> If a speed is entered which is higher than the maximum speed set here, the value is automatically corrected to the maximum speed.

Tab. 23: Settings in the Air Parameter Configuration dialogue



Parameter	Explanation
Fan1...Fan6	If fan monitoring is deactivated, only the monitoring of the fans is deactivated. The fans themselves will continue to run even after monitoring has been deactivated. The fan symbols will be greyed out, both in the graphical representation on the web interface and on the optional display with touch function. The display of the speed values changes to "--". In the tree structure, the speed values will be set to "0", and the status of the corresponding fan changes to "Inactive".
Fan Timeout Mode	This setting is used to determine how the fans operate when the climate controller is in emergency mode. "Last Setpoint" setting: The fans operate in their most recent normal mode setting. "Manual Setpoint" setting: Operation of the fans is set manually.
Fan Timeout Setpoint	Here, the fan setpoint can be manually set at 0-100% with the climate controller in emergency mode.

Tab. 23: Settings in the **Air Parameter Configuration** dialogue

### Fan control according to pressure difference

The air pressure difference in front of and behind the LCP in the server rack is measured by one (or a maximum of two) differential pressure sensor(s) (delta P control) and used as the reference. The differential pressure sensors are not included with the supply and must be ordered separately and fitted (see section 5.6 "Positioning the pressure sensors").

They are controlled via a PID controller. The control parameters (Kp, Ki, Kd) are set using the **Air Parameter Configuration** dialogue, where this control mode is usually available as a presetting.

With fan speed control according to the pressure difference, the required pressure in front of and behind the server rack's built-in devices is prescribed as the setpoint.

When using two differential pressure sensors, the mean of the two sensors is used.

- If **one** sensor fails, the value from the other sensor is used.
- If **both** sensors fail, the system switches to delta T control.

The connected differential pressure sensors are managed in the variables tree under "Real Devices". The current actual value is displayed here, and the relevant limits for alarms and warnings are configured. The evaluation of the limits is displayed in the status variables.

If delta P control is activated, as a maximum the first two differential pressure sensors detected are automatically used to determine the actual value. If there is no differential pressure sensor available, this information will ap-

pear in the status variables. The control method will then switch to delta T control.

### Fan calibration

After installing and connecting an additional fan or a replacement fan (see section 5.3 "Fan installation"), the maximum fan speed must be determined automatically by a calibration run.



Note:

If the calibration run for a fan is started in the "Disabled" state, the operating hours of that fan will be reset after the calibration run. A fan can be recalibrated without resetting the operating hours when the state switches from "Enabled" to "Calibration" and when calibration is started via the optional display with touch function.

- Select the "Calibration" option for the desired fan in the relevant Fan1...Fan6 parameter.

The corresponding fan will be started and a mean value is formed over a certain period of time. This value is then cyclically compared with the current speed.

If the measured speed corresponds to the mean value (within specific limits), the calibration run will be ended and the maximum speed stored in the climate controller. A new calibration run will be carried out if the measured speed deviates too much from the mean. If this is successful, the maximum speed will now be stored in the climate controller. If the deviation is still too high, the status of the fan in question will be set to "Error" and the calibration run also ended.

### Coolant Parameter Configuration dialogue

Fig. 100: **Coolant Parameter Configuration** dialogue

# 7 Configuration

Parameter	Explanation
Leakage Mode	This sets the required response of the control valve in the event of a leak: <b>Emergency:</b> The control valve closes completely in the event of a leak. The fans are switched off for 15 seconds and the doors of the server enclosure possibly opened. Once this period has expired, the LCP returns to the set control mode. <b>Only Alarm:</b> Only an alarm message is sent in the event of a leak. The settings for the "Command" variables for the fans (Full, Minimum or Off) are accepted in both modes.
Sampling Time	Controller scan time.
Kp	The parameter for setting the proportional amount of the PID control algorithm.
Ki	The parameter for setting the integral proportion of the PID control algorithm.
Kd	The parameter for setting the differential proportion.
Valve Min. Value	Analogous to the minimum fan speed (parameter "Min. Fan Speed"), a permanent opening of the control valve for all operating modes may be set here. This setting guarantees a minimum flow at all times, whereby the control system is able to react more spontaneously to sudden capacity increases. <b>"Automatic" operating mode</b> The control valve is always opened at least to the value set here. Exception: In case of leaks, if the "0" setting is selected (= Emergency), the control valve is closed completely (see parameter "Leakage Mode"). <b>"Minimum" operating mode</b> The control valve is always opened to the value set here. <b>"Manual" operating mode</b> If the operator enters an opening value for the control valve which is less than the minimum opening set here, the value is automatically corrected to the minimum opening.
Coolant Sensors	If the temperature sensors for the water inlet and water return are deactivated, the display is greyed out and replaced by "n.a." in both the graphical display on the web interface and on the optional display with touch function. In the tree structure, the temperature values will be set to "0"; the status of the variables is set "inactive".

Tab. 24: Settings in the **Coolant Parameter Configuration** dialogue

Parameter	Explanation
Flowmeter	If the flowmeter is deactivated, the flowmeter is greyed out and replaced by "n.a." in both the graphical display on the web interface and on the optional display with touch function. In the tree structure, the value of the cooling capacity is set to "0" and the flowrate status is "inactive".
Control Valve	If the control valve is deactivated, the flowmeter is greyed out and replaced by "n.a." in both the graphical display on the web interface and on the optional display with touch function. In the tree structure, the value is set to "0". Similarly, the control valve status changes to "inactive".
Cp Value	The specific thermal capacity of the cooling medium. This value needs to be adjusted only if the cooling medium used is changed.
Valve Time-out Mode	This setting determines how the control valve behaves with the climate controller in emergency mode. "Last Setpoint" setting: The control valve opens to its most recent setting in normal mode. "Manual Setpoint" setting: The control valve opens to the manual setting.
Valve Time-out Setpoint	With the climate controller in emergency mode, the control valve can be manually set here.

Tab. 24: Settings in the **Coolant Parameter Configuration** dialogue



**Note:**

- Because the percentages affect both the speed and the accuracy of control, the default values for the PID control algorithm should be changed only in exceptional cases.
- Rittal cannot accept any liability for damage caused by the incorrect parameterisation of the PID controller.

**General Parameter Configuration** dialogue

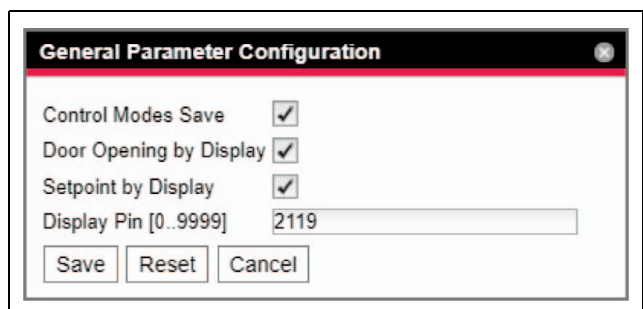


Fig. 101: **General Parameter Configuration** dialogue

Parameter	Explanation
Control Modes Save	If this option is activated, the control modes set for the fan and water control are transferred again automatically after a system restart. If this option is deactivated, the control modes are set to the "Automatic" setting after a system restart.
Setpoint by Display	After entering the standard PIN, the setpoint can be entered via the optional display with touch function, irrespective of whether the option is enabled or disabled.
Door Opening by Display	The doors can be opened after entering the standard PIN via the optional display with touch function, irrespective of whether the option is enabled or disabled here (fig. 111).
Display Pin	Customise the PIN required to access the protected pages of the display with touch function (as standard, "2119").

Tab. 25: Settings in the **General Parameter Configuration** dialogue

### 7.2.5 Settings

All other setting options for the Liquid Cooling Package are described in section 8 "Operation".

## 8 Operation

### 8.1 Description of operating and display components

#### 8.1.1 Control unit hardware for the Liquid Cooling Package

The Liquid Cooling Package control unit is the climate controller. It supplies and processes actual values for server-in and server-out temperatures, actual pressure values in front of and behind the heat exchanger and actual values for flowrate, control valve control and temperatures of the upstream inlet and return. The control valve and fan are regulated based on the measured actual values.

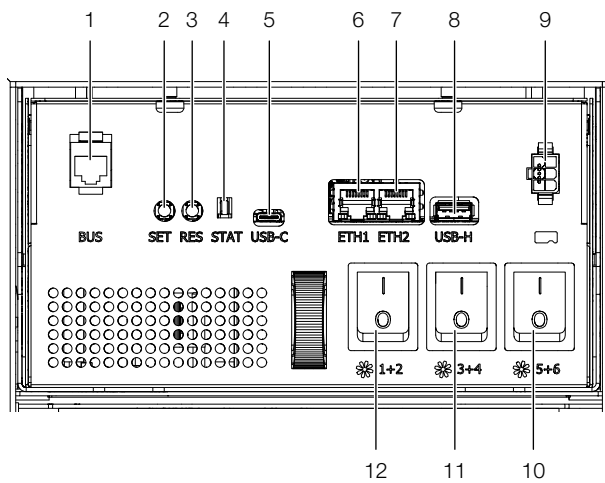


Fig. 102: Climate controller

#### Key

- 1 Connecting CMC sensors
- 2 SET button to acknowledge
- 3 RESET button for hardware reset (factory setting)
- 4 Status LED
- 5 USB-C interface for service
- 6 Network connection ETH1
- 7 Network connection ETH2
- 8 USB interface as an external memory
- 9 Connection for display
- 10 On/Off switch fan pair 1/2
- 11 On/Off switch fan pair 3/4
- 12 On/Off switch fan pair 5/6



#### Note:

The connections for the CMC sensors (item 1) and the two network interfaces are routed to the rear of the LCP with the appropriate cables, so that the actual connection is made there.

The following control and display components are set into the front of the climate controller:

Control and display component	Explanation
SET button	Use this button to confirm warnings and alarms.
Multi-LED for status display (steady light)	<b>Green:</b> Group signal status "OK".
	<b>Orange:</b> Group signal status "Warning".
	<b>Red:</b> Group signal status "Alarm".
Multi-LED for status display (cyclical)	<b>Green-orange-red:</b> At least one new device has been detected on the CAN bus (status "Detected").
Multi-LED for status display (alternating)	<b>Red-blue:</b> At least one device on the CAN bus has been removed or can no longer be accessed via the CAN bus (status "Lost").
Multi-LED for status display	<b>Blue:</b> The position of at least one device on the CAN bus has been altered (status "Changed").
	<b>Red:</b> Update in progress (so-called heartbeat, alternating long and short).
	<b>White:</b> Update task running for one or more sensors.

Tab. 26: Climate controller operating and display component

The floating relay output is routed to terminal strip X6 in the rear upper section of the Liquid Cooling Package. An external signal source for alarm signalling may be connected there.

- Please observe the pin assignment of terminal strip X6 (fig. 157).
- Configure the alarm relay after connecting (see assembly and operating instructions of IoT Interface 3124.300).

As well as the built-in sensors, a wide range of sensors, actuators and access monitoring systems may be connected via the CAN bus interface. A detailed list of the entire range of accessories may be found on the website given in section 15 "Accessories".



**Warning! Risk of injury!**  
Before installing additional components, such as sensors, the LCP must be switched-off completely at the circuit-breaker and secured against unintentional re-activation.



**Caution! Risk of injury!**  
When installing additional components, such as sensors, there is the risk of injury caused by sharp edges inside the LCP. Wear personal protective equipment (PPE)!

## 8.2 Description of operation

### 8.2.1 General

The LCP climate controller carries out the following functions:

- Scan all measurements (temperatures, pressures, speeds, flowrate, current rating etc.).
- Evaluate all measurements and generate alarm and warning signals.
- Calculate the thermal output of the inlet and return temperature as well as determine the water flow volume.
- Control air temperature in the server enclosure by regulating the fan speed and the water volume through the heat exchanger.
- Set the setpoint temperature for the incoming cold air (factory setting 20 °C).
- Activate an optional display with touch function via an RS485 interface.
- Display the measurements and settings of parameters and setpoints via the Web interface.
- Scan the sensor and setting values via various protocols.

The measurements supplied by the individual modules are evaluated by the climate controller, and warning and alarm signals are generated where applicable. If a new warning or alarm occurs, this is indicated by the multi-LED on the climate controller. At the same time, the alarm relay is switched. The exact cause of the malfunction can be displayed in plain text as an alarm or warning message on the connected optional graphical display with touch function (see section 10.2 "Messages on the display").

## 8 Operation



### Note:

After connecting for the first time or following repair work, it is possible that the Liquid Cooling Package will operate in emergency operation mode.

In order to switch the device to normal operation (control operation), briefly press the "SET" button (fig. 102, item 10) once.



### Note:

In emergency operation, device cooling is ensured even if there are malfunctions inside the unit. All fans will then operate at 100% output, and the control valve will open completely (see section 18 "Frequently Asked Questions (FAQ)").

### Design of the temperature control circuit

The actual temperature values of the cold air on the air input side (IT Supply) supplied by the three temperature sensors on the heat exchanger are used to control the air which is blown into the server enclosure. The mean is calculated from the actual temperature values. The control unit constantly compares this (average) actual temperature with the setpoint temperature. As an alternative to the mean, control may also be based on the minimum or maximum temperature. This can be set on the website.

By comparison of the actual temperature with the setpoint temperature, the control unit attempts to maintain a constant temperature by opening and closing the control valve. The control valve is only kept closed (or set to the value stored in the parameter "ValveMin value") if the actual temperature falls below the "setpoint temperature" value, i.e. cold coolant no longer flows through the heat exchanger. Additionally, the temperature difference between the actual temperature (IT Supply) and the air expelled on the server outlet side (IT Return) is used to determine and control the fan speed. Optionally, the fan speed may also be controlled according to the pressure difference. The temperature values of the sensors on the server outlet side may either be averaged, the minimum or the maximum temperature is used (see section 7.2.4 "LCP configuration"). The setpoint speed for the fans and the control valve setting are sent to the connected control units via the CAN bus.

Up to 16 additional standard sensors may be connected to the climate controller to monitor additional physical parameters of the Liquid Cooling Package. To this end, the sensors are connected to the first CAN bus connection on the rear of the device (fig. 102, item 1) and configured via the Web interface.

Information about a wide range of additional sensors may be found in section 15 "Accessories".

### 8.2.2 Acknowledging messages

Generally speaking, there are three different ways of acknowledging messages:

1. By briefly pressing the "SET" button on the climate controller (fig. 102, item 2). This confirms all alarm messages simultaneously.
2. By selecting a message with the right mouse button in the message display and clicking on the "Acknowledge Alarm" or "Acknowledge Devices" entry with the left mouse button in the context menu. If an alarm message has been selected, "Acknowledge Alarm" confirms only the currently selected message. If a message concerning a configuration change has been selected, "Acknowledge Devices" confirms all related messages jointly.
3. By clicking with the right mouse button on a component entry and clicking with the left mouse button on the "Acknowledge Alarm" or "Acknowledge Devices" entry in the context menu.

This can be used to confirm pending alarm messages for that particular component or all configuration changes.

### 8.2.3 Operation in stand-alone mode

In stand-alone mode, the Liquid Cooling Package can be operated via the display with touch function. This is factory-installed for the NSA versions and can be ordered as an accessory for the global versions (see section 15 "Accessories").

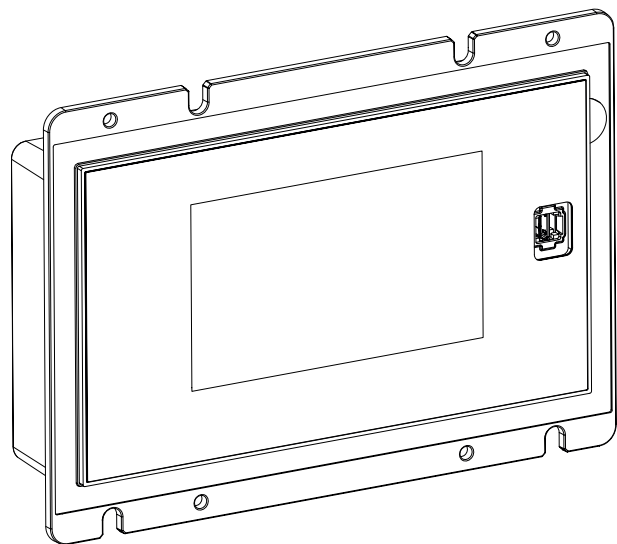
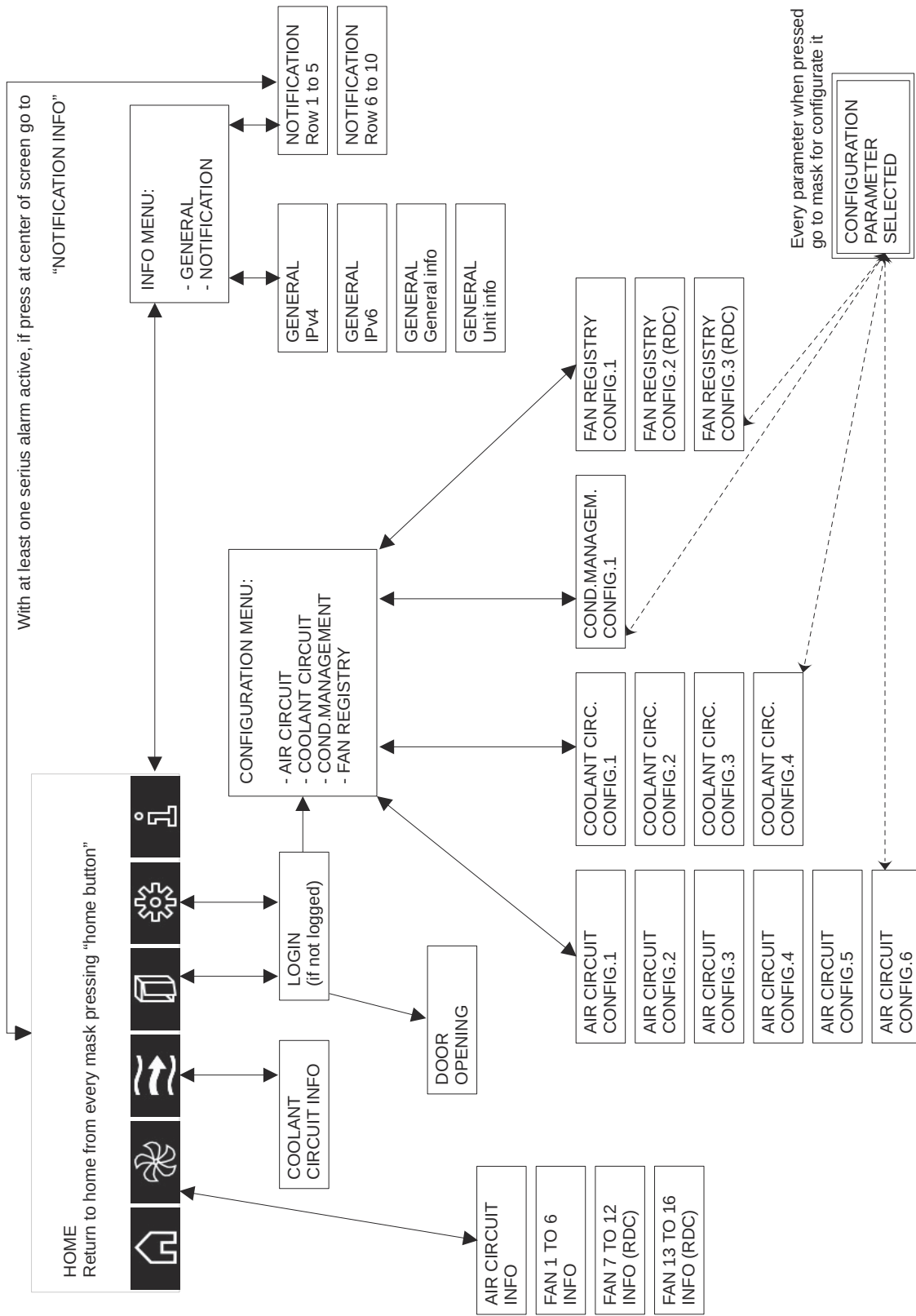


Fig. 103: Display with touch function

The user interface of the display with touch function allows the user to navigate between the individual menu options of the Liquid Cooling Package controller using software-controlled buttons.

"Screen pages" overview



# 8 Operation

## Connections on the display

The following interfaces are located on the display:

- Front: USB Micro B
- Rear: RJ 12/45 data cable (available factory-installed in the LCP)

## "Home" screen page

- Press the "Home" button to display the overview page of the user interface.



Fig. 104: "Home" screen page

The average value from the three server inlet temperatures of the sensors on the heat exchanger is displayed in the centre on the main page.

The current control modes are displayed on the left-hand side (from top to bottom):

- Control mode for the fans
- Control mode for the control valve
- Control mode for humidity control

The pPUE and EER values as well as the current cooling capacity are displayed on the right-hand side (from top to bottom).

Depending on the current status of the Liquid Cooling Package, warnings (see fig. 105) and/or alarm messages (see fig. 106) may also be output here. Details of pending messages may be viewed on the "Notification" screen in the "Info" menu (see fig. 124).



Fig. 105: "Home" screen page with warning message



Fig. 106: "Home" screen page with alarm message

## "Air Circuit Info" screen page

- Press the "Fan" button to display information about the air circuit.

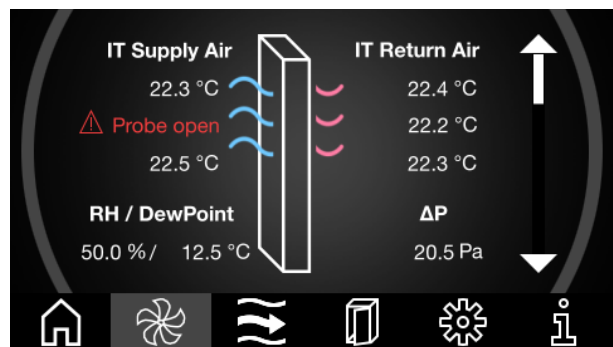


Fig. 107: "Air Circuit Info" screen page

The following information is displayed on the "Air Circuit Info" screen page:

- Server inlet temperature at the three sensors or error messages (IT Supply Air)
- Server outlet temperature at the three sensors or error messages (IT Return Air)
- Relative humidity (RH) and calculated dew point when deploying the optional temperature/humidity sensor
- Measured pressure difference ( $\Delta P$ ) for Delta P closed-loop control

- Scroll with the arrow keys to the second page. A screen page appears with detailed information about the individual fans (status or current speed).

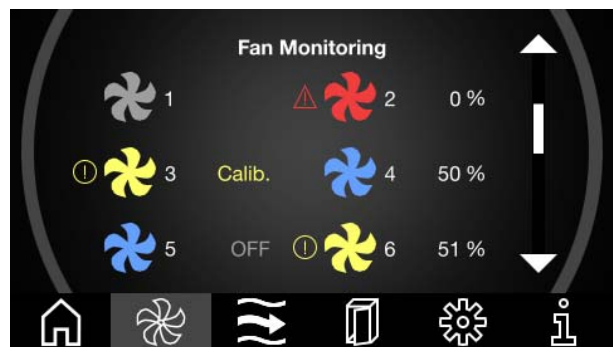


Fig. 108: "Fan Monitoring" screen page

The various statuses of the fans are indicated with different colours:



- Blue: "OK" status
- Grey: Fan is disabled
- Yellow: "Warning" status
- Red: "Alarm" status

### "Coolant Circuit Monitoring" screen page

- Press the "Cooling medium" button to display information about the cooling medium circuit.

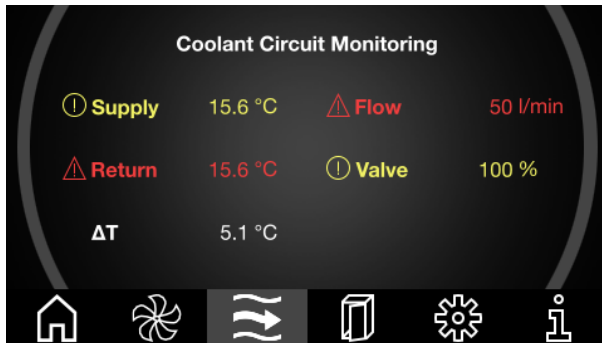


Fig. 109: "Coolant Circuit Monitoring" screen page


The following information is displayed on the "Coolant Circuit Monitoring" screen page:


- Supply temperature of the cooling medium (Supply)
- Return temperature of the cooling medium (Return)
- Temperature difference ( $\Delta T$ ) between supply and return of the cooling medium
- Volumetric flow (Flow) of the cooling medium
- Actual setting of the control valve (Valve)

### "Door Opening" screen page

- Press the "Door Opening" button to perform the settings for automatic door opening (provided the "Automatic door opening" option is installed).

The "PIN" screen page appears first to prevent access by unauthorised persons.

 Note:  
The "PIN" screen page is displayed only when you are not currently logged in. Otherwise, the "Door Opening" screen page appears directly.

 Note:  
The PIN "2119" factory-setting is stored in the LCP. The PIN can be changed on the "General Parameters Configuration" screen page (fig. 101, see section 7.2.4 "LCP Configuration").

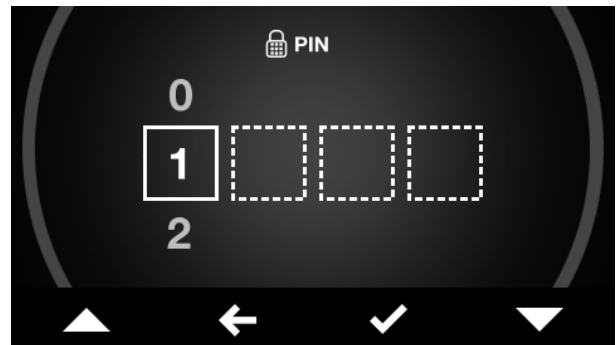


Fig. 110: "PIN" screen page

- Scroll with the arrow buttons until the correct PIN digit is displayed for the first digit.
- Confirm the entry with the "✓" button and continue with the following digits accordingly.

The "Door Opening" screen page appears when the correct PIN has been entered.

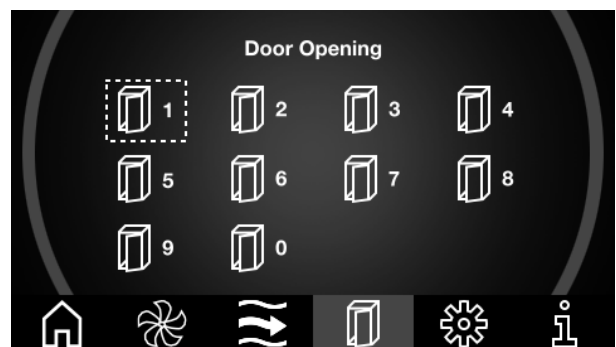


Fig. 111: "Door Opening" screen page

The buttons from "1" to "0" are displayed. The buttons are assigned to the door magnets via a so-called virtual device (see section 8.7 "Door Opening").

- Press the desired button, e.g. "1".

The door magnets for the door output assigned to this button are switched off for 10 seconds and the door opens. Once this period has expired, the magnet is re-energised.

### "Settings" screen page

- Press the "Settings" button to call the overview page from which you can switch to the individual settings. Similar to the "Door Opening" screen page, the "PIN" screen page may appear first. After entering the correct PIN, the "Settings" screen page appears.

# 8 Operation

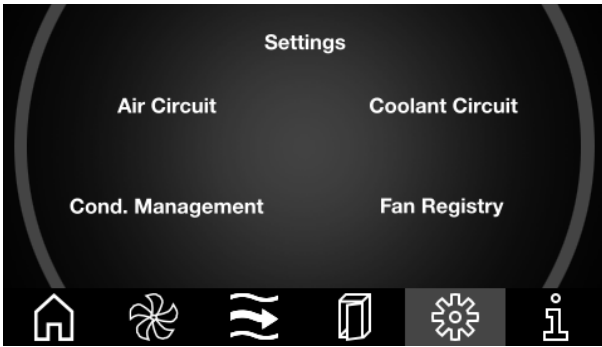


Fig. 112: "Settings" screen page

- Press the button for the area whose settings should be customised or viewed.

## "Air Circuit" screen pages

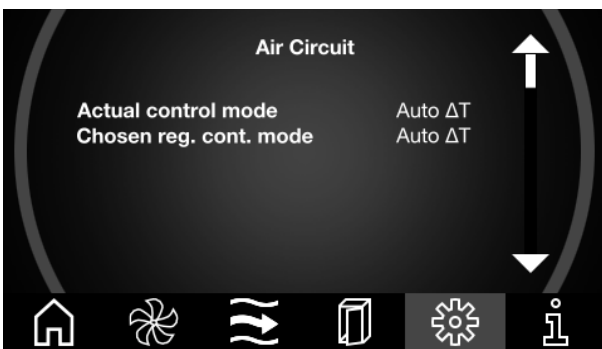


Fig. 113: "Air Circuit" screen pages

The currently enabled modes for fan control are displayed on the first page.

- Press the currently selected control mode (e.g. "Auto ΔT").

A screen page appears on which the control mode can be selected.

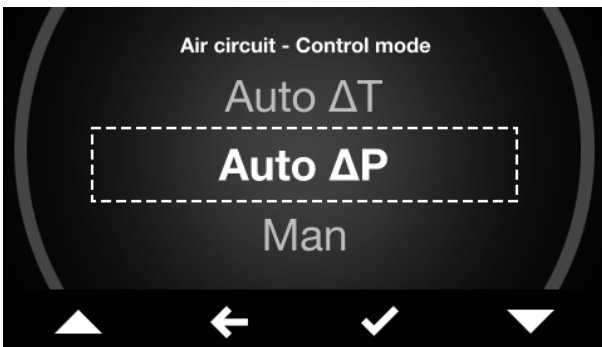


Abb. 114: "Air Circuit - Control Mode" screen page

- Scroll with the arrow keys until the desired control mode is displayed in the centre (here "Auto ΔP") and confirm the selection with the "✓" button.

Further screen pages are accessed with the arrow buttons on the right-hand side. The settings for the enabled and disabled control modes can be changed there. The basic operation is always the same and is explained below using the "Auto ΔT" example.

- Scroll with the arrow keys from the "Air Circuit" screen page (fig. 113) to the second screen page.

The temperature differences between which the speed is controlled linearly for the current control mode "Auto ΔT" are displayed here.

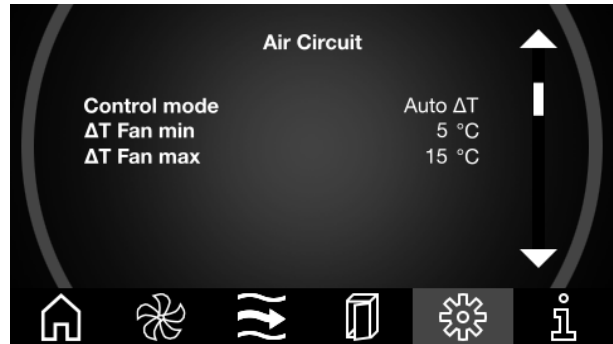


Fig. 115: "Air Circuit" screen page (2nd page)

- Press the upper limit value (ΔT Fan min.) below which the fans should run at the stored minimum speed (see section 7.2.4 "LCP Configuration").

The following screen page opens.

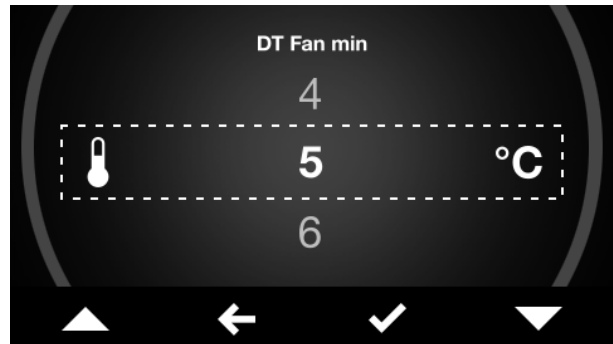


Fig. 116: "ΔT Fan min" screen page

- Scroll with the arrow keys until the desired temperature value is displayed in the centre (here "5") and confirm the selection with the "✓" button.
- Similarly, set the lower limit value (ΔT Fan max.) above which the fans should run at the stored maximum speed (see section 7.2.4 "LCP Configuration").

## "Coolant Circuit" screen pages

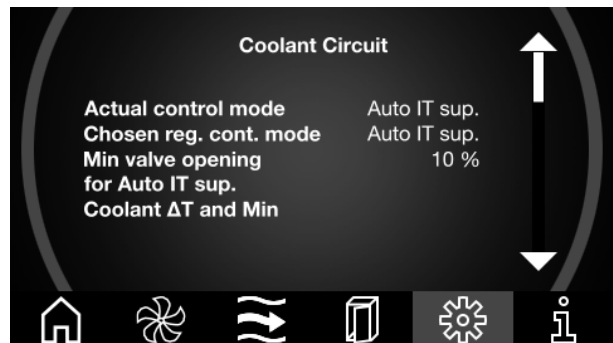


Fig. 117: "Coolant Circuit" screen pages

As with the air circuit for fans, the currently enabled control mode for the cooling medium circuit is displayed behind "Actual control mode" on the first page. This mode may differ from the standard selected mode displayed

after "Chosen reg. cont. mode" (e.g. "Invalid Air Temperatures" or "Remote Control").

- In the right-hand column, press the standard selected control mode (e.g. "Auto IT sup.").

A screen page appears on which the control mode can be selected.

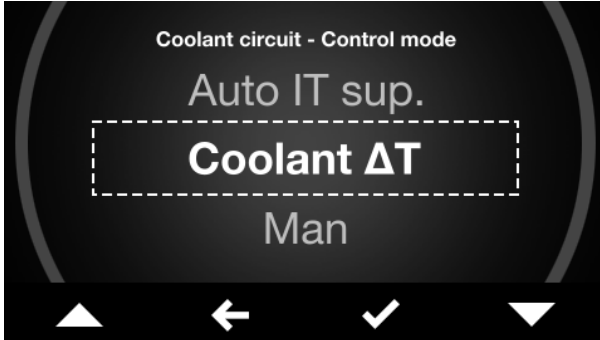


Fig. 118: "Coolant Circuit – Control Mode" screen page

- Scroll with the arrow keys until the desired control mode is displayed in the centre (here "Coolant ΔT") and confirm the selection with the "✓" button.

Further screen pages can be accessed with the arrow keys on the right-hand side. The settings for the enabled and disabled control modes can be changed there. The basic operation is always the same and is explained below using the "Coolant ΔT" example.

- Scroll with the arrow keys from the "Coolant Circuit" screen page (fig. 117) to the third screen page. The settings for the current control mode "Coolant ΔT" are displayed here as well as the target temperature of the cooling medium return, and the minimum and maximum server inlet temperatures.

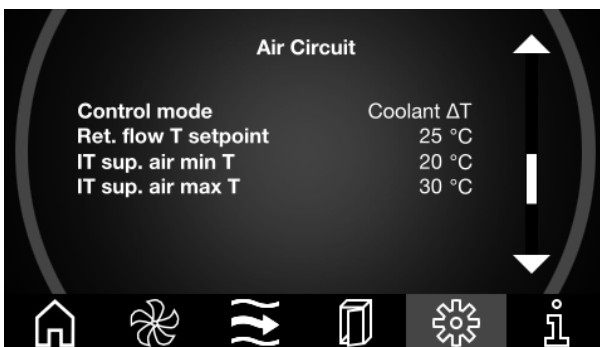


Fig. 119: "Air Circuit" screen page (3rd page)

- Press the individual temperature values and set the temperatures to the desired values.

## "Condensate Management" screen page

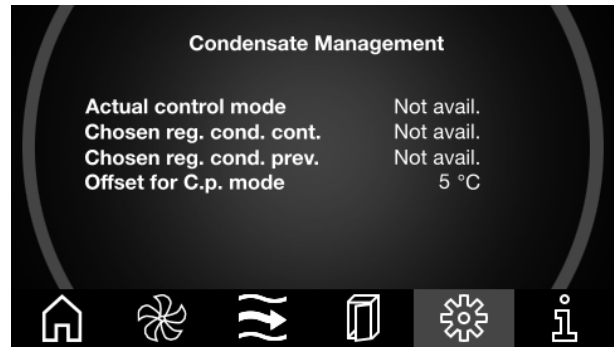


Fig. 120: "Condensate Management" screen page

The currently enabled control modes for condensate management are displayed on the first page.

The first line behind "Actual control mode" shows the control mode currently enabled. The standard selected modes for dew point control ("Chosen reg. cond. cont.") and condensate prevention ("Chosen reg. cond. prev.") are also displayed. Dew point control can be selected via the right-hand column provided there is a spray eliminator in the device and a humidity sensor is connected. To prevent condensation, the fans must be operated in automatic mode. Condensate prevention can be selected via the right-hand column provided a humidity sensor is connected. To prevent condensation, the control valve must be operated in automatic mode. A safety distance to the dew point can be set for this mode (see "Offset" parameter in section 8.5.12 "Features").



### Note:

The basic operation is the same as for the air circuit and the cooling medium circuit. For this reason, a detailed description is not included.

## "Fan Registry" screen page

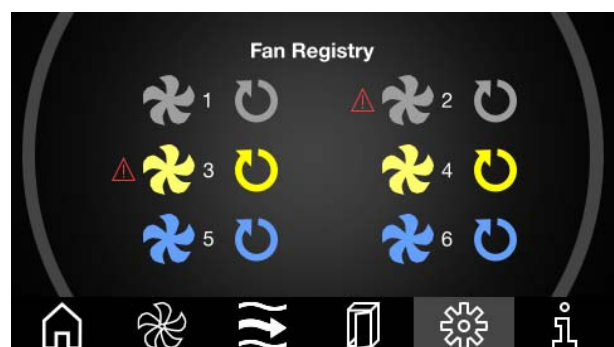


Fig. 121: "Fan Registry" screen page

The current status for each fan is displayed here. The various statuses of the fans are indicated with different colours, unlike the representation on the "Fan Monitoring" screen page (fig. 108):

- Blue: Fan is enabled
- Grey: Fan is disabled
- Yellow: Fan is currently being calibrated

# 8 Operation

- Red warning symbol next to the fan: Fan is in "Alarm" status
- Enable monitoring of the associated fan by pressing the grey fan symbol, and disable monitoring by pressing the blue fan symbol.
- If necessary, recalibrate the fans by pressing the symbol on the right-hand side of the associated fan.
- Observe the following notes when enabling the calibration run via the display:
  - The calibration run cannot be started for a fan in "Disabled" status.
  - The fan operating hours are not reset.



**Note:**  
Connect the Liquid Cooling Package to a network for extended setting options (see section 8.3 "Extended options by connecting the Liquid Cooling Package to a network").

## "Info" screen page

- Press the "Info" button to call the overview page from which it is possible to switch to the "General" and "Notifications" areas.

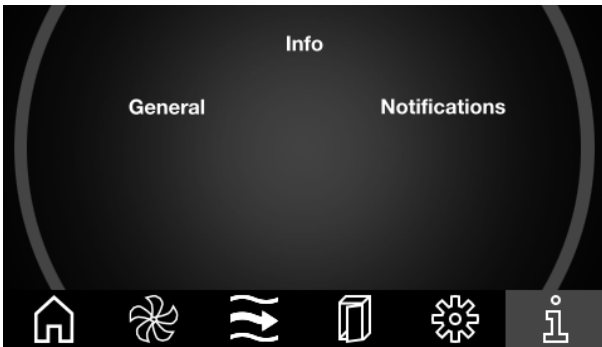


Fig. 122: "Info" screen page

## "General" screen pages

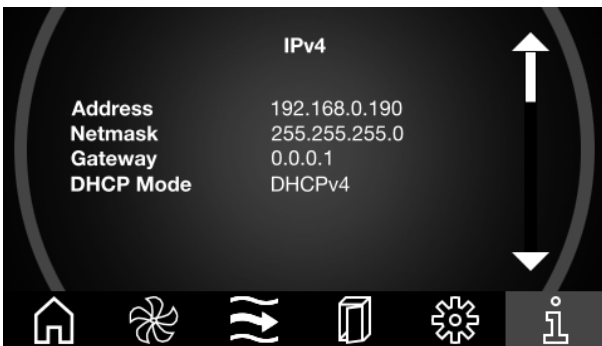


Fig. 123: "General" screen pages

Detailed information about the Liquid Cooling Package, such as network addresses and version information, is displayed on several screen pages.

## "Notifications" screen pages



Fig. 124: "Notifications" screen pages

Pressing the "Notifications" key opens the corresponding screen page. Here, all pending alarm messages are displayed in plain language.

## Updating the display software

The display software update can be installed via Blue e+ Updater. An example procedure for Blue e+ Updater is described below. It can be downloaded from the Rittal web site for the 3314.030 display and the LCP CW devices.

- After installing the software, connect your laptop to the display using a USB cable with a Micro (type B) connector.

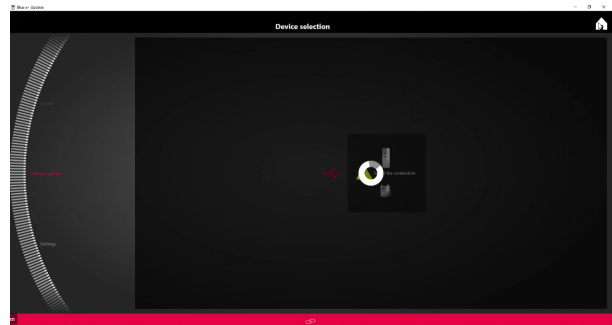


Fig. 125: "Device selection" screen page in Blue e+ Updater

- Once the connection has been established, select the "Software Update" entry in the left-hand area.

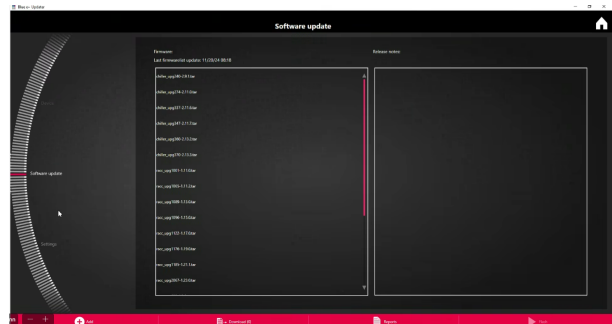


Fig. 126: "Software update" screen page in Blue e+ Updater

- To ensure all software updates are displayed, click the "Downloads" entry in the bottom bar.
- Select the current file for the display software ("racc\_upgXXXX-X.X.X.tar").

Updates that cannot be installed on the device are not displayed or the flash button cannot be enabled.

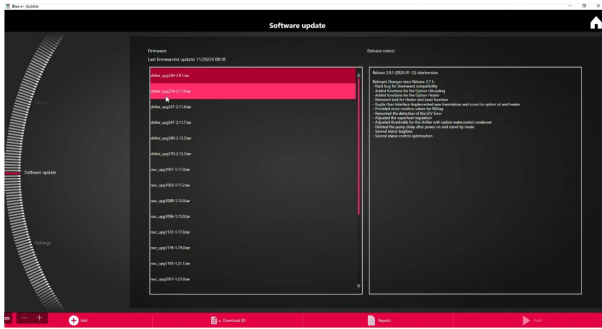


Fig. 127: "Release notes" display in Blue e+ Updater



**Note:**

Further information about the software is displayed in the Release Notes on the right-hand side of the screen page.

- To install the software, click the "Flash" entry in the bottom bar.

### 8.2.4 Automatic door opening, LCP Rack

In conjunction with the LCP cooling systems, the automatic door-opening feature may be appropriate under certain conditions. With this feature, the doors of the systems are kept closed under normal circumstances and are opened, if necessary, by a mechanism.

#### Possible reasons for use:

##### Fire extinguishing

Whole-room fire extinguishing systems are already installed in many existing data centres. However, when rack-based, high-density cooling is used in closed enclosures, the extinguishing gas cannot penetrate into the inside of the rack in the event of a fire. If the doors are automatically opened when needed, the extinguishing gas can flow into the enclosure.

##### Emergency cooling

In principle, redundancy with respect to cooling can be achieved with the alternating installation of LCPs and racks (fig. 19). If this type of installation is not possible, the internal temperature of the enclosure can rise considerably within a short period of time, e.g. if the cooling water supply fails (e.g. at a heat loss of 15 kW, the temperature will rise from 22 °C to 32 °C in approx. 90 seconds). However, the rise in the air intake temperature depends greatly on how leak-tight the server rack is. Emergency cooling can be achieved by the automatic door opening feature. However, the installation location must have adequate air conditioning. Automatic door opening can be effected in several ways, as follows:

#### Perforated server rack front door in conjunction with a glass or sheet steel enclosure rear door

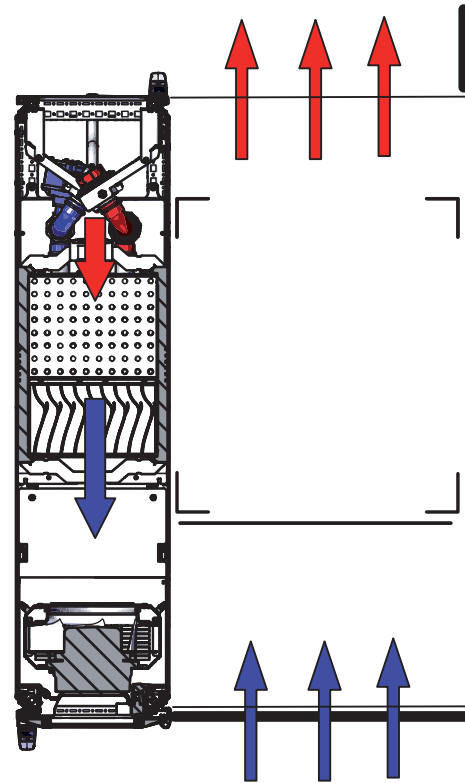


Fig. 128: Perforated front door – opened rear door

If the need arises, only the rear door of the enclosure is automatically opened. The air flows into the interior of the enclosure via the perforated front door, circulates around the installed equipment and exits the system via the open rear door of the enclosure. It is important to ensure that the LCP fans are switched off, otherwise hot air will be blasted in front of the 482.6 mm (19") level in the event of emergency cooling.

If this variant is used, whether for fire extinguishing purposes or for emergency cooling purposes, the installation room must be air-conditioned (ASHRAE conditions, 22 °C, 50% rel. humidity). If this method is used for emergency cooling, even higher heat losses in the server rack can be dissipated.

With this method, the escape route is only blocked at the back of the server rack. Unauthorised access, is however, possible through the open rear door. The separate partition between the cooling system and the rack is eliminated.

# 8 Operation

## Solid front door (glass/sheet steel) in conjunction with a solid rear door (glass/sheet steel) of the server rack

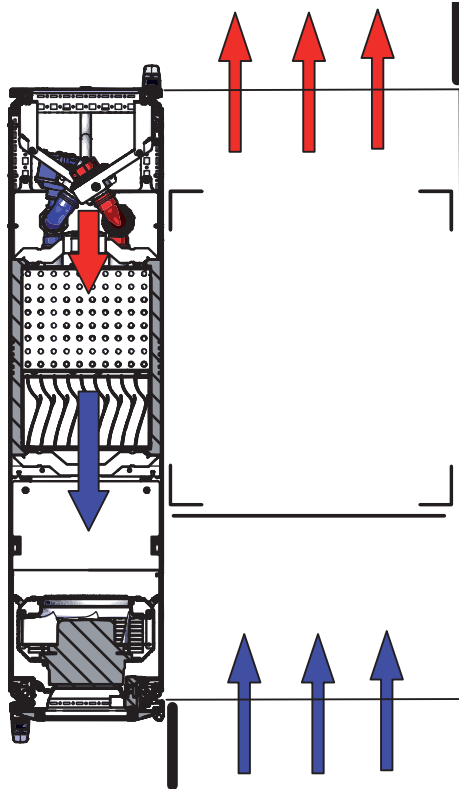


Fig. 129: Opened front door – opened rear door

If the need arises, both the front and the rear door are automatically opened. The air flows unhindered into the interior of the enclosure, circulates around the installed equipment and exits the system via the open rear door of the enclosure. It is important to ensure that the LCP fans are switched off, otherwise hot air will be blasted in front of the 482.6 mm (19") level in the event of emergency cooling.

If this variant is used, whether for fire extinguishing purposes or for emergency cooling purposes, the installation room must be air-conditioned (ASHRAE conditions, 22 °C, 50% rel. humidity).

If this method is used for emergency cooling, even higher heat losses in the server rack can be dissipated.

With this method, the escape route is blocked at both the front and back of the server rack. Unauthorised access is possible through the open front and rear doors. The separate partition between the cooling system and the rack is eliminated.

If the system used is equipped with an automatic door opening feature, the latter must be activated via the LCP software.

## 8.3 Extended options by connecting the Liquid Cooling Package to a network

By connecting the Liquid Cooling Package climate controller to a network, you are able to call up various measurements and warning or alarm messages. These may then be further processed (e.g. via a Web browser, SNMP, etc.). Furthermore, various values can be set via the network and then sent to the climate controller.

In the Liquid Cooling Package, the network connection for the climate controller is routed to a jack in the upper rear area of the device.

■ To connect to the network, connect the climate controller jack (fig. 75, item 2) to a free jack on the network access using a suitable network cable.

The Liquid Cooling Package is preset in the factory to the IP address 192.168.0.190 (see section 7.2 "HTTP connection").

## 8.4 General operation

### 8.4.1 Layout of screen pages

After logging on to the Liquid Cooling Package (see section 7.2.1 "Making the connection"), the Web interface for operating the device is displayed. In principle, the screen is divided into four different sections:

1. Top section: Display general information about the device, change the password and log off the current user (see section 8.4.7 "Logging off and changing the password").
2. Left-hand section (navigation area): Select the overall system or respective component for which information is displayed in the right-hand section of the screen (see section 8.4.2 "Navigation area in left-hand section").
3. Right-hand section (configuration area): Display six index tabs (see section 8.4.3 "Index tabs in the configuration area") with input options for all settings.
4. Bottom section: Display messages (see section 8.4.4 "Message display").



#### Note:

This documentation shows the English screenshots. The descriptions of individual parameters on the Liquid Cooling Packages website likewise use English terminology. Depending on the set language, the displays on the website may be different (see assembly and operating instructions for the IoT Interface 3124.300).

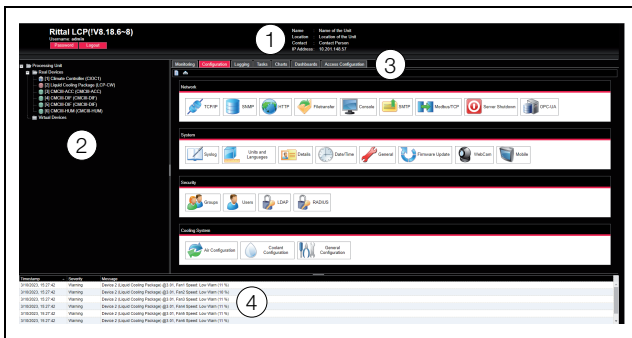


Fig. 130: Layout of screen pages

### Key

- 1 General information
- 2 Navigation area
- 3 Configuration area with tabs
- 4 Message display

### 8.4.2 Navigation area in left-hand section

The overall system including all installed components is displayed in the form of a tree structure in the navigation area of the screen.

At the top of the navigation area is the Processing Unit, i.e. the overall system. The sub-groups "Real Devices" and "Virtual Devices" are displayed below the overall system. The climate controller, the Liquid Cooling Package itself and the installed hardware devices and sensors are listed under "Real Devices".

Each device can assume different statuses. To allow rapid identification of the current status, the symbol before the respective device is colour-coded:

Symbol	Explanation
	Status "OK". There are no warnings or alarm messages.
	Status "Warning". There is at least one warning message.
	Status "Alarm". There is at least one alarm message.
	Status "OK". The additional information symbol indicates that further status information may be displayed. This symbol is only displayed if the registered user has at least read-only access to the data for that particular device.
	Status "Detected". The sensor has recently been added and not yet confirmed. This sensor must be confirmed by pressing the "SET" button on the climate controller or via the Web interface.
	Status "Lost". Communication with a sensor is no longer possible. The connection must be checked. Alternatively, the sensor can also be logged off by confirming.

Tab. 27: Status display symbols

Symbol	Explanation
	Status "Changed". The sequence of sensors has been altered and not yet confirmed. This configuration change must be confirmed by pressing the "SET" button on the climate controller or via the Web interface.

Tab. 27: Status display symbols

### 8.4.3 Index tabs in the configuration area

Seven index tabs are displayed in the right-hand section of the screen:

1. Monitoring: Current data of the Liquid Cooling Package or connected devices (see section 8.5 "Monitoring index tab").
2. Configuration: Configuration of basic settings (see section 8.6 "Configuration index tab").
3. Logging: Message archive about the Liquid Cooling Package and connected devices (see assembly and operating instructions for the IoT Interface 3124.300).
4. Tasks: Creating links between different values and related actions (see section 8.8 "Tasks").
5. Charts: Charts for the chronological trend of the variable values (see assembly and operating instructions for the IoT Interface 3124.300).
6. Dashboards: Create different views as dashboards (see the assembly and operating instructions of the IoT Interface 3124.300).
7. Access Configuration: Configure access authorisations for connected access control systems to the server rack doors (optional).

The content of the index tabs **Monitoring** and **Configuration** depends on whether the entire system ("Processing Unit" entry) or an individual component, e.g. "Liquid Cooling Package" entry has been selected in the left-hand section of the screen.

### 8.4.4 Message display

Current pending messages are displayed in the bottom section of the screen. The message display is structured as follows:

1. Timestamp: The date and time when the error occurred (fig. 131, item 1).
2. Severity: Severity of the error. A distinction is made between Warnings and Alarms (fig. 131, item 2).
3. Message: Error message in plain language (fig. 131, item 3).

# 8 Operation

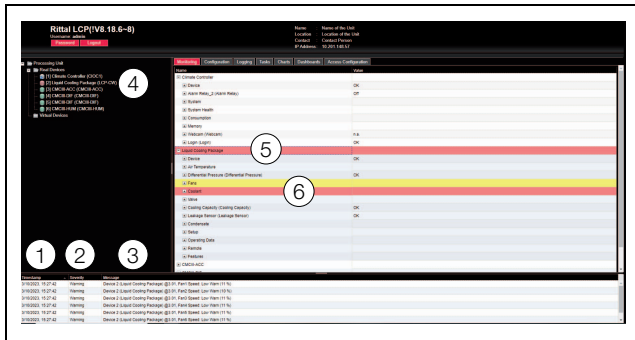


Fig. 131: Layout of message display

### Key

- 1 Date and time
- 2 Error category
- 3 Error message in plain language
- 4 Component with error message
- 5 Component
- 6 Parameter

Additionally, errors occurring are displayed as follows:

- Left-hand screen section (navigation area): The symbol in front of the component on which the error occurred is shown in red in the tree view in the event of an alarm message, and yellow in the event of a warning message (fig. 131, item 4).
- Right-hand screen section (configuration area): On the **Monitoring** index tab, the entire component and the specific parameter to which the warning or alarm applies is shown in red or yellow (fig. 131, items 5 and 6).
- The multi-LED on the front of the climate controller is permanently red or orange.
- Depending on the settings, the alarm relay will switch.

If the cause of an error message has been rectified, the corresponding message may be automatically deleted from the message display. The status of the respective component may also be reset, and all other displays triggered by the error may disappear. However, this depends on the chosen alarm configuration (see assembly and operating instructions of the IoT Interface 3124.300). In some cases, error messages and the status may remain in the overview until acknowledged with the "SET" button on the climate controller (see section 8.2.2 "Acknowledging messages").

If the device configuration is permanently altered, e.g. a new sensor is connected to the climate controller, this is likewise output in the message display as an error message, type "Alarm". Additionally, in such cases, the multi-LED in the front of the climate controller will cyclically flash green – orange – red. Such configuration changes are not deleted from the message display until confirmed by the operator (see section 8.2.2 "Acknowledging messages").

### Example: Increased temperature

If the temperature sensor integrated into the climate controller measures a temperature above the value stored as "SetPtHighWarning", a warning message will be emitted.

In such cases, the display will change as follows:

- The symbol in front of the component in the navigation area will be coloured yellow.
- On the **Monitoring** index tab, the entire component and the lines "Temperature" and "Status" will be coloured yellow. The "High Warn" warning message will also be emitted.
- A corresponding warning message will appear in the message display.

If the temperature drops back below the "SetPtHigh-Warning" value plus the hysteresis value (see section 19 "Glossary"), the message may be automatically deleted from the message display and the relevant status displays reset, depending on the alarm configuration (refer to the assembly and operating instructions of the IoT Interface 3124.300).

### 8.4.5 Other displays

The operator's entries in the Web interface are automatically checked against preset rules, depending on the parameter entered. This means that changes can only be saved if all values have previously been correctly entered in a dialogue.

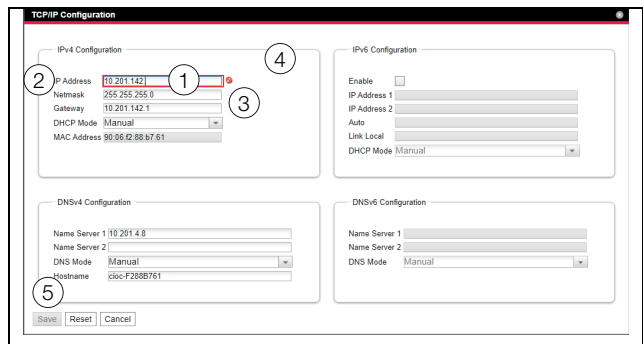


Fig. 132: Display of an incorrect entry

### Key

- 1 Netmask field
- 2 Incorrect entry
- 3 Prohibited symbol
- 4 Note
- 5 Inactive button

The following changes occur in case of an incorrect entry in the dialogue (illustrated here by the example of an incorrectly entered IP address):

- A red "prohibited symbol" (fig. 132, item 3) appears after the incorrect entry (fig. 132, item 2) in the **Netmask** field (fig. 132, item 1)
- By holding the mouse pointer over the prohibited symbol, additional information about the error will appear (fig. 132, item 4).



- The **Save** button is deactivated (fig. 132, item 5), so that the current values cannot be saved.

Proceed as follows to rectify the error:

- Using the information provided, identify the precise nature of the incorrect entry.  
In this particular example, the value entered does not comply with the format of an IP address.
- Correct the defective value, e.g. by entering the value "255.255.255.0".  
The "prohibited symbol" is masked out and the **Save** button is activated.
- Save the settings by pressing the **Save** button.

### 8.4.6 Changing parameter values

Different parameters for the currently selected component are displayed in the list view of the **Monitoring** index tab. Some of these parameters can be adjusted by the operator, while others have fixed values assigned to them.

For all parameters that can be changed, an "Edit" symbol in the form of a stylised notepad and pen will appear after the respective parameter if the mouse pointer is placed in the relevant line (fig. 133, item 1).

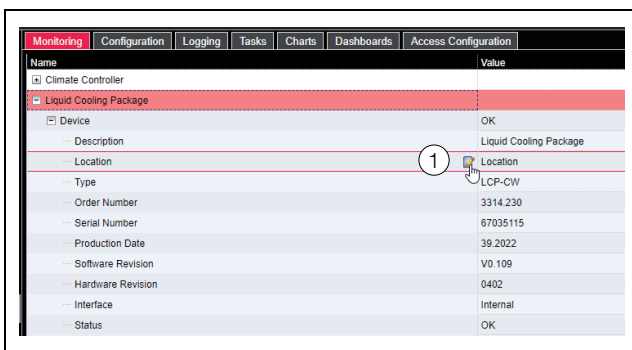


Fig. 133: Editable parameter with "Edit" symbol

#### Key

- 1 "Edit" symbol

If this symbol does not appear, the corresponding value cannot be altered.

Example:

- In the navigation area, select the entry "Liquid Cooling Package".
- In the right-hand part of the screen, select the **Monitoring** index tab.
- One after the other, open the "Liquid Cooling Package" and "Device" entries by clicking on the "plus" symbol in front of the entry (fig. 134, item 1).

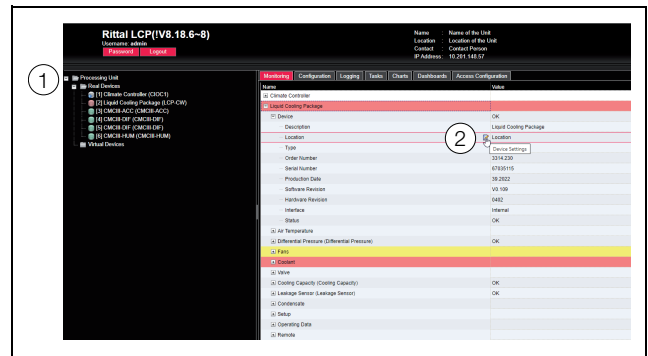


Fig. 134: Selecting an individual parameter

#### Key

- 1 Liquid Cooling Package and Device entries
- 2 "Location" parameter

- Position the mouse pointer at the end of the first column in the "Location" line (fig. 134, item 2).  
An "Edit" symbol will appear, and the mouse pointer will change to a "Hand" symbol.
- Click on the "Edit" symbol.  
The "Device Settings" dialogue will appear with the parameter "Device.Location".

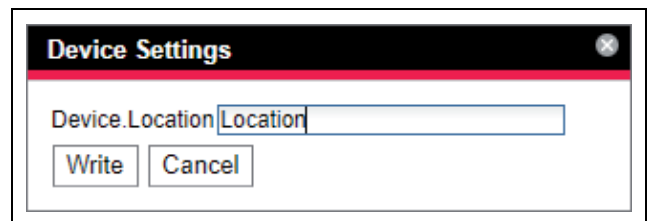


Fig. 135: "Device Settings" dialogue

- Here, enter the location of the Liquid Cooling Package.
- Confirm your entry by clicking on the **Write** button.  
The dialogue box will close and the new value will appear in the "Location" line.
- Next, position the mouse pointer at the end of the first column in the "Type" line.  
In this case, **no** "Edit" symbol will appear, i.e. the value stored here (e.g. "LCP-I 30 kW") cannot be altered.  
You may wish to amend several values simultaneously, or may not know the entry under which the required parameter is stored. In such cases, all editable parameter values of subordinate entries can also be displayed in one window.
- Simply open the "Liquid Cooling Package" entry by clicking on the "plus" symbol in front of that entry (fig. 136, item 1).
- Position the mouse pointer at the end of the first column in the "Location" line (fig. 136, item 2).  
An "Edit" symbol will appear, and the mouse pointer will change to a "Hand" symbol.

# 8 Operation

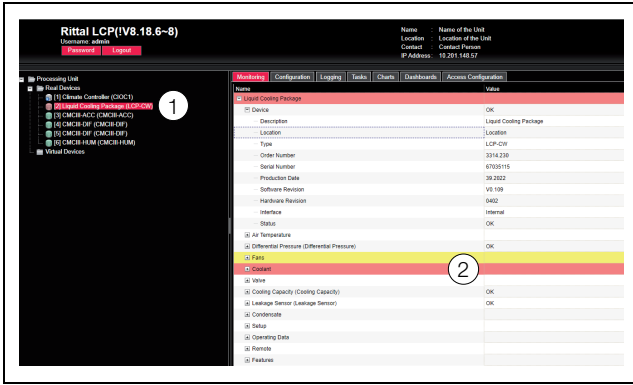


Fig. 136: Selecting multiple parameters

**Key**

- 1 Liquid Cooling Unit entry
- 2 "Edit" symbol

- Click on the "Edit" symbol.

The "Device settings" dialogue will appear with a list of all parameters that can be edited.

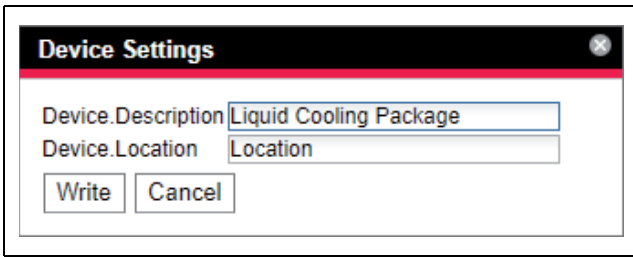


Fig. 137: "Device Settings" dialogue with multiple parameters

- Store the amended values for all required parameters.
- Confirm your entries by clicking on the **Write** button.

The dialogue is closed.

Reopen the dialogue to view the edited values.

**Note:**



If the number of variables to be amended is too high, an error message will appear. In such case, you will need to move down a level.

### 8.4.7 Logging off and changing the password

For every user group (and hence for every user), it is possible to set a time after which the user is automatically logged off in case of inactivity (refer to the assembly and operating instructions of the IoT Interface 3124.300). However, a user can also log off via the Web interface.

- Press the **Logout** button in the top left of the screen.

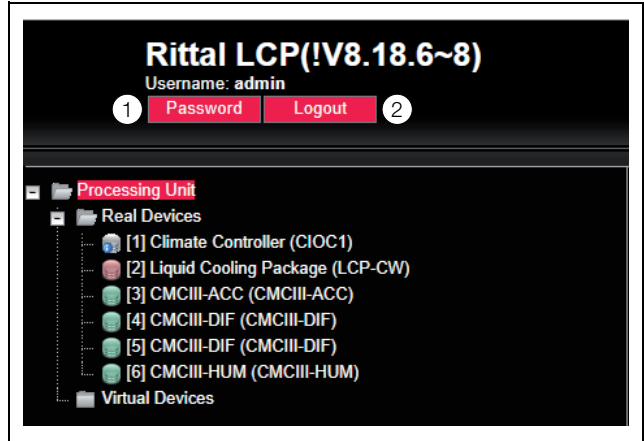


Fig. 138: **Password** and **Logout** buttons

**Key**

- 1 **Password** button
- 2 **Logout** button

Logout occurs immediately and the login window will appear.

Additionally, every user may change their own password in the Web interface.

- Press the **Password** button in the top left of the screen.

The dialogue "Set new Password for User 'XXX'" will appear.

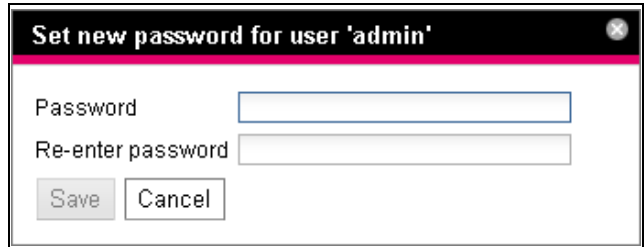


Fig. 139: Changing the password

- Enter the new password in the "Password" line (at least 3 characters) and repeat it in the "Re-enter Password" line.

Provided both entries match, you will need to use the new password the next time you log into the system.



**Note:**

Irrespective of this amendment, a user with appropriate rights can also alter the passwords of all users via the user administration feature (refer to the assembly and operating instructions of the IoT Interface 3124.300).

### 8.4.8 Reorganising the connected components

When new components are installed on the climate controller, these are inserted into the next free space in the tree structure and allocated a corresponding ID number. Particularly with multiple upgrades and changes in the sequence of connected components, this may result in

a lack of allocation between the position of the components in the CAN bus and the corresponding ID number. The "Reorganize" function renumbers all connected components as follows.

1. Climate Controller
2. Liquid Cooling Package (CAN bus 2)
3. Sensor 1 (CAN bus 1)
4. Sensor 2 (CAN bus 1)
5. Sensor 3 (CAN bus 1)
6. Sensor n (CAN bus 1)

■ In the navigation area, click on the "Climate Controller" entry or any other connected component with the right mouse button.

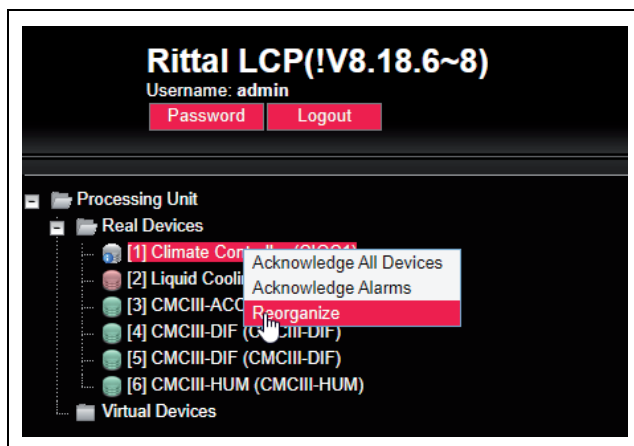



Fig. 140: "Reorganize" entry in the context menu

■ With the left mouse button, click on the "Reorganize" entry in the context menu.

A message will appear stating that the components have been renumbered as a result of reorganisation. This may lead to problems when accessing these components, e.g. via SNMP, and access will need to be re-configured. However, the "Alarm Configuration" of the individual sensors is retained.

The sensors are then registered automatically again on the climate controller.

 **Note:**  
When reorganising the components, all components with the status "Lost" are removed from the navigation area.

## 8.5 Monitoring index tab

All settings for the individual system components are made in the **Monitoring** index tab, such as limits for warning and alarm messages. The display in the right-hand section of the screen depends on which component was selected in the navigation area.

- If you select the "Climate Controller" entry (top node) in the navigation area, all "Real Devices" will be available for selection in the **Monitoring** index tab.
- If you select a specific component, such as the "Liquid Cooling Package" entry, in the left-hand tree structure, only that component will be available for selection in

the **Monitoring** index tab. Here, you can choose between two display options:

- Tree view: This allows fast, targeted access to individual parameters.
- Graphical representation: This provides a quick overview of the entire Liquid Cooling Package system, such as the status and speed of the fans or temperature values of the server inlet and outlet side.

If, after selecting the "Liquid Cooling Package" level, the subordinate entries "Device", "Air", "Water" etc. are displayed (fig. 141, item 1), you can switch to the graphical representation as follows:

- Press the coloured "Graphics" symbol after the "Liquid Cooling Package" entry in the form of a stylised diagram (fig. 141, item 2).

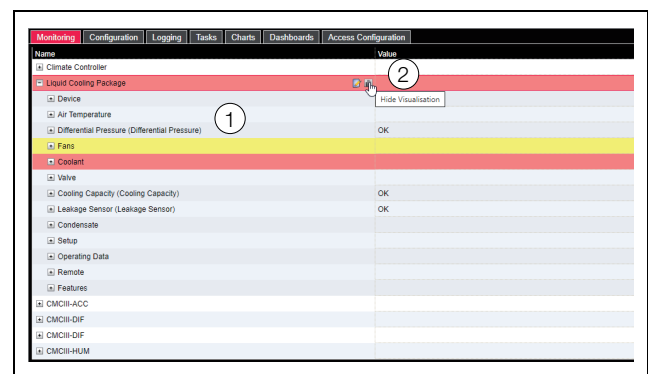


Fig. 141: Tree structure

The display switches to the graphical representation (fig. 142) and all statuses and speeds of the fans and temperature values for the server inlet and outlet temperature as well as the control modes for the fan and coolant control can be seen at a glance and amended by clicking the graphic (fig. 142, item 2).

After selecting the "Liquid Cooling Package", if graphical representation (fig. 142) is preselected, you can switch to the tree view as follows:

- Click on the greyed "Graphics" symbol after the "Liquid Cooling Package" entry (fig. 142, item 1).



Fig. 142: Graphical representation

The display switches to the tree view (fig. 141) and the individual settings for the Liquid Cooling Package may be selected.

The following descriptions assume that you have selected the tree view.

# 8 Operation

The following sections 8.5.1 "Device" to 8.5.12 "Features" only contain detailed descriptions of those parameters which may be altered. There are also display values for information purposes.

## 8.5.1 Device

General settings for the Liquid Cooling Package are carried out at "Device" level.

Parameter	Explanation
Description	Individual description of the Liquid Cooling Package
Location	Installation site of the Liquid Cooling Package

Tab. 28: Settings at "Device" level

Parameters containing detailed information, such as the software and hardware versions used, are also displayed. You should have this information to hand when contacting Rittal with a query, so as to facilitate rapid error diagnosis.

## 8.5.2 Air Temperature

Sensor settings for the server inlet and outlet temperatures are performed at this level. For this purpose, the appropriate sublevels are created. The values for each individual "Top", "Mid" and "Bottom" sensor are displayed or set below the "IT Supply" and "IT Return" levels. Furthermore, settings for the averaged values of the three temperature sensors are performed at the "Average" level.

### "IT Supply" level > "Air Temperature (Top)"

You can set the following parameters for the top temperature sensor of the server inlet temperature at this level:

Parameter	Explanation
DescName	(Detailed) description of the temperature sensor.
SetPtHigh-Alarm	Upper limit of the server inlet temperature at the top temperature sensor for which an alarm message is output when overshoot.
SetPtHigh-Warning	Upper limit of the server inlet temperature at the top temperature sensor for which a warning message is output when overshoot.
SetPtLow-Warning	Lower limit of the server inlet temperature at the top temperature sensor for which a warning message is output when undershoot.
SetPtLow-Alarm	Lower limit of the server inlet temperature at the top temperature sensor for which an alarm message is output when undershoot.

Tab. 29: Settings at the "Air Temperature (Top)" level

Parameter	Explanation
Hysteresis	Required percentage deviation for undershooting or overshooting the limit temperature at the top temperature sensor for a status change (see section 19 "Glossary").

Tab. 29: Settings at the "Air Temperature (Top)" level

The following parameters are also displayed for the temperature sensor:

Parameter	Explanation
Value	Server inlet temperature, measured at the top temperature sensor.
Status	Current status of the top temperature sensor. "OK": The temperature sensor is connected and operational. "Alarm": The temperature sensor has failed or is not detected.

Tab. 30: Displays at the "Air Temperature (Top)" level

### "IT Supply" level > "Air Temperature (Center)" and "Air Temperature (Bottom)"

At these levels, you can set all parameters similar to the top temperature sensor.

### "IT Supply" level > "Air Temperature (Average)"

At this level, you can set all parameters similar to the top temperature sensor. Whereby, the specified limit values apply to the averaged values of the three temperature sensors.

### "IT Return" level

The settings for the server outlet temperature are performed at this level. The settings, as well as the displayed parameters, correspond to those in the "IT Supply" level.

## 8.5.3 Fans

Settings for the installed fans are performed at this level.

### "Current Speed" sub-level > "Fan1" to "Fan6"

Settings for the associated fan are performed at this level.

Parameter	Explanation
DescName	(Detailed) description of the respective fan.

Tab. 31: Settings at sub-levels "Fan1" to "Fan6"

The following parameters are also displayed for the fans:

Parameter	Explanation
Value	Current speed of the respective fan as a % of maximum speed

Tab. 32: Displays at sub-levels "Fan1" to "Fan6"

Parameter	Explanation
Status	Current status of the respective fan. "OK": Fan is connected and operational. "Low Warn": Fan speed is below the "Set-LowWarning" limit. "Off": Fan is deactivated. "Inactive": Although fan monitoring is disabled, the fan runs.

Tab. 32: Displays at sub-levels "Fan1" to "Fan6"

**"Config" sub-level**

Settings for the operating modes and fan speeds are performed at this level:

Parameter	Explanation
SetPtLow-Warning	Bottom limit of the fan speed; a warning message is emitted if this is undercut.
Command	Select the operating mode. "Automatic": Fan speeds are determined and automatically regulated according to the server outlet temperature or the pressure difference. "Manual": Fan speeds are set manually. "Off": Fans are deactivated. "Minimum": Fans rotate at the preset minimum speed. "Full": Fans rotate at 100%.

Tab. 33: Settings in "Config" sub-level

**"Internal Control" sub-level**

The parameters as specified by the fan control unit for the individual fans are displayed at this level.

Parameter	Explanation
Control Mode	Currently selected operating mode.
Override	Reason for affecting the fan speed. If the temperature sensors fail, a message appears here, for example, "Invalid Air Temperatures"; if control is made in remote operation, "Remote" appears here. "None": If no effect is present, the fans operate at the calculated speed.
Fan	The setpoint for the fan speed as percentage of the maximum speed, as specified by the control unit.

Tab. 34: Settings at the "Internal Control" sub-level

**8.5.4 Coolant**

The settings for the water circuit are performed at this level.

**"Temperature" level > "Coolant Supply"**

The settings for the water inlet temperature are performed at this level.

Parameter	Explanation
DescName	(Detailed) description of the water inlet temperature.
SetPtHigh-Alarm	Top limit of the water inlet temperature; an alarm message is emitted if this is exceeded.
SetPtHigh-Warning	Top limit of the water inlet temperature; a warning message is emitted if this is exceeded.
SetPtLow-Warning	Bottom limit of the water inlet temperature; a warning message is emitted if this is undercut.
SetPtLow-Alarm	Bottom limit of the water inlet temperature; an alarm message is emitted if this is undercut.
Hysteresis	Required percentage deviation for a status change if the temperature limit of the water is undercut or exceeded (see section 19 "Glossary").

Tab. 35: Settings in the "Coolant Supply" level

The following parameters are also displayed for the water inlet temperature:

Parameter	Explanation
Value	Current water inlet temperature.
Status	Current status regarding the water inlet temperature. "OK": No limit has been exceeded or undercut. "Alarm": The temperature sensor has failed. Too Low: "SetPtLowAlarm" limit undercut. Low Warn: "SetPtLowWarning" limit undercut. High Warn: "SetPtHighWarning" limit exceeded. Too High: "SetPtHighAlarm" limit exceeded. "n.a.": The sensors for the water inlet and water return temperature are deactivated in the configuration (see section 7.2.4 "LCP configuration").

Tab. 36: Display at the "Coolant Supply" level

**"Temperature" level > "Coolant Return"**

The settings for the water return temperature are performed at this level.

The representations fully match those for the "Coolant Supply" level.

**"Coolant Flow" level**

The settings for the water flow are performed at this level:

# 8 Operation

Parameter	Explanation
DescName	(Detailed) description of the water flow rate.
SetPtHigh-Alarm	Top limit of the water flow rate; an alarm message is emitted if this is exceeded.
SetPtLow-Alarm	Bottom limit of the water flow rate; an alarm message is emitted if this is undercut.

Tab. 37: Settings at the "Coolant Flow" level

The following parameters are also displayed for the water flow rate:

Parameter	Explanation
Value	Current flow rate of water.
Status	Current status regarding the water flow rate. "Error": The control valve is open, but only a minimum flow rate is measured. "OK": The flowmeter is correctly connected and operational. "Alarm": The flowmeter is not connected or not detected. Too Low: "SetLowAlarm" limit undercut. Too High: "SetHighWarning" limit exceeded. "n.a.": The flowmeter is deactivated in the configuration (see section 7.2.4 "LCP configuration").

Tab. 38: Displays at the "Coolant Flow" level

## 8.5.5 Valve

The settings for the control valve are performed at this level:

### "Control Valve" sub-level

The settings for the control valve are performed at this sublevel.

Parameter	Explanation
DescName	(Detailed) description of the control valve.

Tab. 39: Settings at the "Control Valve" sub-level

The following parameters are also displayed for the control valve:

Parameter	Explanation
Value	Position of the control valve in %: 0% = valve closed, 100% = valve completely open.

Tab. 40: Displays at the "Control Valve" sub-level

Parameter	Explanation
Status	Current status of control valve. "Error": The control valve is completely closed, but a water flow is still being measured. "OK": The control valve is correctly connected and operational. "n.a.": The control valve is deactivated in the configuration (see section 7.2.4 "LCP configuration").

Tab. 40: Displays at the "Control Valve" sub-level

### "Config" sub-level

Settings for the operating modes and positioning of the control valve are performed at this level:

Parameter	Explanation
Command	Select the operating mode: "Automatic": The positioning of the control valve is determined and automatically regulated according to the server inlet temperature. "Manual": The positioning of the control valve is set manually. "Off": The control valve is completely closed. "Minimum": The control valve is opened to the preset minimum value. "Full": The control valve is completely opened.

Tab. 41: Settings at the "Config" sub-level

### "Internal Control" sub-level

The parameters as specified by the water circuit control unit for the control valve are displayed at this level.

Parameter	Explanation
Control Mode	Currently selected operating mode.
Influence	Reason for affecting the position of the control valve. If control is performed in remote operation, "Remote" appears here. "None": If no effect is present, the control valve has the calculated position.
Value	The setpoint for the control valve position as percentage, as specified by the control unit.

Tab. 42: Settings at the "Internal Control" sub-level

## 8.5.6 Cooling Capacity

The settings for the cooling capacity are performed at this level:

Parameter	Explanation
DescName	(Detailed) description of cooling capacity.

Tab. 43: Settings at the "Cooling Capacity" level

The following parameters are also displayed for the cooling capacity:

Parameter	Explanation
Value	The calculated cooling capacity of the Liquid Cooling Package. The capacity is calculated from the inlet and return temperatures as well as from the flow values of the cooling water circuit (the value is determined over the duration of 1 to 2 minutes).
Status	Current cooling output status. "OK" is always displayed here, except when there is no flow meter connected. In such cases, "inactive" is shown. Settings are made under "Water configuration".

Tab. 44: Displays at the "Cooling Capacity" level

### 8.5.7 Leakage Sensor

The settings for the leakage monitoring are performed at this level:

Parameter	Explanation
DescName	(Detailed) description of leak monitoring.

Tab. 45: Settings at the "Leakage Sensor" level

The following parameters are also displayed for the leak monitoring:

Parameter	Explanation
Status	Current status of leak monitoring. "OK": No leaks present. "Alarm": Leak present.

Tab. 46: Displays at the "Leakage Sensor" level

### 8.5.8 Condensate

The settings for the condensate monitoring are performed at this level:

#### "Condensate Sensor" sub-level

Settings for the condensate sensor are made at this sub-level.

Parameter	Explanation
DescName	(Detailed) description of the condensate sensor.

Tab. 47: Settings at the "Condensate Sensor" sub-level

The following parameters are also displayed for the condensate sensor:

Parameter	Explanation
Status	Current status of the condensate sensor. "OK": No condensate present. "Alarm": Condensate present.

Tab. 48: Displays at the "Condensate Sensor" level

#### "Condensate Pump" sub-level

Settings for the condensate pump are made at this sub-level.

Parameter	Explanation
DescName	(Detailed) description of condensate pump.

Tab. 49: Settings at the "Condensate Pump" sub-level

The following parameters are also displayed for the condensate pump:

Parameter	Explanation
Value	0 = Condensate pump not active. 1 = Condensate pump active.
Duration	Last duty cycle of condensate pump.
Status	Current status of condensate pump. "Off": The pump is not running. "On": The pump is running.

Tab. 50: Displays at the "Condensate Pump" sub-level



Note:

Condensate sensors and condensate pumps are not installed in the factory.

### 8.5.9 Setup

The following settings are performed at this level:

Parameter	Explanation
Temperature IT Supply	Set the setpoint (server inlet temperature).
Differential pressure	Set the pressure difference setpoint. This is only required if the fan speed is controlled according to the pressure difference between the pressures in front of and behind the built-in components.

Tab. 51: Settings at the "Setup" level

### 8.5.10 Operating Data

The following parameter is displayed at this level:

Parameter	Explanation
Product Number	LCP production number

Tab. 52: Displays at the "Operating Data" level

#### "Runtimes" sub-level

Settings for the operating hours and switching cycles of the individual components are made at this sub-level.

## 8 Operation

Parameter	Explanation
Fan1-Value ... Fan6-Value	Accumulated operating hours for each individual fan.
Valve	"Cycles": Accumulated switching cycles for the control valve. "Reset": Reset the number of switching cycles.
Pump	"Cycles": Total number of condensate pump activations. "Value": Total operating time of the condensate pump in seconds. "Reset": Resets the number of activations.
Flow meter	Accumulated cooling water flow in litres.
Thermal Energy	Accumulated thermal energy in kWh.
Electrical Energy	Accumulated electrical energy in kWh.
EER	Display the current Energy Efficiency Ratio (ratio between generated cooling energy and electrical energy).

Tab. 53: Displays at the "Runtimes" sub-level

### 8.5.11 Remote

Remote control allows the system to be controlled by external SW systems using the available protocols (SNMP, Modbus TCP, OPC-UA).

The remote function is only active when the corresponding "Internal.Control.Mode" of the fans and control valve is set to "Automatic".

#### "Remote Temperature" sub-level

Remote control of the temperature overwrites the "IT Supply Air Average.Value" value, allowing it to be regulated to an externally set temperature.

Parameter	Explanation
DescName	(Detailed) description of remote mode with respect to temperature control.
Timeout	Duration between 1 and 60 seconds while the external control is (still) active, provided the timeout is activated. In such cases, the time must be repeatedly extended by the external software. Once the value "0" is reached, temperature control by the LCP's internal controller will resume.

Tab. 54: Settings at the "Remote Temperature" sub-level

Parameter	Explanation
Mode	Remote control mode in relation to temperature. "Off": Remote control is deactivated. "With timeout": With an active timeout, the timeout value must be cyclically re-written by the external system. If the time expires (value = 0), remote control is deactivated and control reverts to the internally preselected control mode (delta T or delta P). "Without timeout": If timeout monitoring is not active, the most recent "Value" setting will remain active.

Tab. 54: Settings at the "Remote Temperature" sub-level

The following parameters are also displayed for remote temperature control:

Parameter	Explanation
Value	Externally prescribed setpoint for the server inlet temperature.
Status	Current status of remote mode. "Off": Remote mode not activated (timeout has the value "0"). "On": Remote mode activated (timeout has a value of greater than 1).

Tab. 55: Displays at the "Remote Temperature" sub-level

#### "Remote Fans" sub-level

Parameter	Explanation
DescName	(Detailed) description of remote mode in relation to the fans.
Timeout	Duration between 1 and 60 seconds while the external control is (still) active, provided the timeout is activated. In such cases, the time must be repeatedly extended by the external software. Once the value "0" is reached, control of fan speed by the LCP's internal controller will resume.
Mode	Remote control mode in relation to fans. "Off": Remote control is deactivated. "With timeout": With an active timeout, the timeout value must be cyclically re-written by the external system. If the time expires (value = 0), remote control is deactivated and control reverts to the internally preselected control mode (delta T or delta P). "Without timeout": If timeout monitoring is not active, the most recent "Value" setting will remain active.

Tab. 56: Settings at the "Remote Fans" sub-level

The following parameters are also displayed for remote operation:



Parameter	Explanation
Value	Externally prescribed setpoint for the fan speed.
Status	Current status of remote mode. "Off": Remote mode not activated (timeout has the value "0"). "On": Remote mode activated (timeout has a value of greater than 1).

Tab. 57: Displays at the "Remote Fans" sub-level

**"Remote Valve" sub-level**

Parameter	Explanation
DescName	Remote control mode in relation to the control valve.
Timeout	Duration between 1 and 60 seconds while the external control is (still) active, provided the timeout is activated. In such cases, the time must be repeatedly extended by the external software. Once the value "0" is reached, valve control by the LCP's internal controller will resume.
Mode	Remote control mode in relation to the control valve. "Off": Remote control is deactivated. "With timeout": With an active timeout, the timeout value must be cyclically re-written by the external system. If the time expires (value = 0), remote control is deactivated and control reverts to the internally pre-selected control mode (delta T or delta P). "Without timeout": If timeout monitoring is not active, the most recent "Value" setting will remain active.

Tab. 58: Settings at the "Remote Valve" sub-level

The following parameters are also displayed for remote operation:

Parameter	Explanation
Value	Externally prescribed setpoint for the opening angle of the control valve.
Status	Current status of remote mode. "Off": Remote mode not activated (timeout has the value "0"). "On": Remote mode activated (timeout has a value of greater than 1).

Tab. 59: Displays at the "Remote Valve" sub-level

**8.5.12 Features**

Settings for condensate prevention, Delta T control (medium: water) and dew point monitoring are made at this level.

**"Condensate Prevention" sub-level**

With remote mode deactivated, the quantity of condensate produced if the temperature drops below the dew point can be minimised or eliminated altogether using the condensate prevention function. This function must be activated via the "Command" (default setting) and is only possible with server inlet temperature control, but not with delta T control of the cooling medium. This function can neither be used together with the dew point control.

If the temperature is approaching the dew point, the server air inlet temperature increases until it is sufficiently far above the dew point.

To determine the current dew point, a CMC III temperature/humidity sensor (7030.111) is needed in the LCP. The sensor is managed under "Real Devices" in the selection tree on the LCP website.

The ascertained dew point value is compared with the prescribed minimum server inlet temperature measured by the three temperature sensors (see section 8.5.2 "Air Temperature"). Calculation of the dew point value includes the adjustable offset, i.e. the ascertained dew point is added to the adjustable offset to produce the "Calculated Dewpoint".

If the measured minimum server inlet temperature is below the "Calculated Dewpoint", the condensate prevention function will be activated. The server inlet temperature is then gradually increased to a maximum value ("IT Supply Air Alarm") above the manually set "IT Supply Temp." setpoint. During this period, the setpoint is increased by 0.5 K per minute.

If the temperature reaches the adjustable alarm limit "IT Supply Alarm", an alarm message is immediately issued. Once the minimum server inlet temperature has climbed back above the calculated dew point (including a hysteresis of 1 K), the server inlet temperature is gradually reduced again.

Parameter	Explanation
DescName	(Detailed) description of condensate prevention.
Dewpoint	Dew point determined with the help of the CMC III temperature/humidity sensor.
Offset	Safety margin for the measured dew point at which condensate prevention is activated.
Calculated Dewpoint	Calculated dew point value including offset.
IT Supply Air Min	Minimum server inlet temperature.
Temperature IT Supply	Setpoint for the server inlet temperature.

Tab. 60: Settings at the "Condensate Prevention" sub-level

## 8 Operation

Parameter	Explanation
IT Supply Alarm	Maximum server inlet temperature.
Command	Activate or deactivate the condensate prevention function. "On": The condensate prevention function is activated (default setting). "Off": The condensate prevention function is deactivated.

Tab. 60: Settings at the "Condensate Prevention" sub-level

The following parameter is also displayed for the condensate prevention function:

Parameter	Explanation
Status	Current status of condensate prevention function. "Off": The function is <b>not</b> pre-selected (Command is set to "Off"). "On": The function is pre-selected (Command is set to "On"). "Active": Function pre-selected and active (the setpoint is adjusted). "Error": The function has been pre-selected but the humidity sensor is not available. "Alarm": The limit for the alarm message has been reached.

Tab. 61: Displays at the "Condensate Prevention" sub-level



### Note:

If the condensate prevention function is enabled, "Cond. prev." is shown in the optional display with touch function on the home screen below the symbol for controlling the control valve.

### "Coolant Delta T-mode" sub-level

In this mode, the LCP is controlled according to the return temperature of the cooling medium. The control valve regulates according to a constant set value based on the return temperature in the cooling medium circuit (cooling medium outlet temperature).

The air inlet temperature is within the dynamic specified range. It is possible to set a permissible temperature range (IT Supply Low Temperature and IT Supply High Temperature) for the server inlet temperature (IT Supply Temperature).

If the temperature leaves this range, the LCP will **immediately** regulate it based on the static air inlet temperature (IT Supply Fallback). This produces a constant server inlet temperature at the prescribed setpoint.

Following a set period (Retry Time Set), the LCP will revert to control based on the dynamic temperature of the cooling medium. If the temperature is exceeded again, the LCP will once again regulate it based on the static temperature. The LCP will make three further attempts

to get within the dynamic range. If the 3rd attempt also fails, the LCP will remain in static control mode and issue an alarm.

Parameter	Explanation
DescName	(Detailed) description of control based on the return temperature of the cooling medium.
Coolant Return Target	Setpoint for the return temperature in the cooling medium circuit.
IT Supply Low Temperature	Minimum server inlet temperature.
IT Supply High Temperature	Maximum server inlet temperature.
Command	Activate / deactivate delta T control of the cooling medium. "On": Control based on the return temperature of the cooling medium is activated (default setting). "Off": Control based on the return temperature of the cooling medium is deactivated.
Retry Time Set	Time after which the LCP attempts to switch to control based on the return temperature of the cooling medium (after exceeding / undercutting the setpoints).

Tab. 62: Settings at the "Coolant Delta T-mode" sub-level

The following parameters are also displayed for control based on the return temperature of the cooling medium:

Parameter	Explanation
Coolant Supply	Current inlet temperature in the cooling medium circuit.
Coolant Return	Current return temperature in the cooling medium circuit.
Flowrate	Current cooling medium flowrate.
IT Supply Temperature	Current server inlet temperature.
IT Supply Fallback	Server inlet temperature if control based on the return temperature of the cooling medium is not possible. This equates to the "IT Supply Temp." value.
Retry	Number of attempts to switch to control based on the return temperature of the cooling medium.
Retry Time	Time that has elapsed since the last changeover attempt.

Tab. 63: Displays at the "Coolant Delta T-mode" sub-level

Parameter	Explanation
Status	Current status of control based on the return temperature of the cooling medium. "Off": Control is not activated. "On": Control is activated.

Tab. 63: Displays at the "Coolant Delta T-mode" sub-level

### "Condensate control" sub-level

When remote operation is deactivated, any condensate that may arise can be separated by increasing the fan speed on the (optional) spray eliminator using the dew point control.



**Note:**  
The dew point control may only be activated if both a spray eliminator and a temperature/humidity sensor are installed in the device.

This function must be enabled via the "Command", but cannot be used together with condensate prevention. To determine the current dew point, a CMC III temperature/humidity sensor (7030.111) is needed in the LCP. The sensor is managed under "Real Devices" in the selection tree on the LCP website.

The measured dew point value is compared with the inlet temperature of the cooling medium, which is determined by a temperature sensor (see section 8.5.4 "Coolant").

The dew point control will be activated if the measured inlet temperature of the cooling medium is at least 1 °C below the dew point for 5 seconds. If the current fan speed is below 65% when the dew point control is activated, the fan speed will be fixed at 65% for one minute. This is done to drain the condensate droplets from the heat exchanger or spray eliminator.

After one minute has elapsed, the system will switch back to automatic mode, i.e. depending on the setting, the fans will be controlled via the temperature or pressure difference, and the minimum speed must not fall below 65%.

The dew point control is no longer active if the inlet temperature of the cooling medium is above the dew point. The fan speed is then no longer limited to a minimum value.

Parameter	Explanation
DescName	(Detailed) description of the dew point control.
Temperature	Temperature determined using the CMC III temperature/humidity sensor.
Relative Humidity	Humidity determined using the CMC III temperature/humidity sensor.
Dewpoint	Dew point determined using the CMC III temperature/humidity sensor.

Tab. 64: Settings at the "Condensate Control" sub-level

Parameter	Explanation
Coolant Supply	Current inlet temperature of the cooling medium.
Fan Delay	Fan delay time in seconds.
Command	Activation or deactivation of the dew point control. "On": Dew point control is activated (default setting). "Off": The dew point control is deactivated.

Tab. 64: Settings at the "Condensate Control" sub-level

The following parameter is also displayed for the dew point control:

Parameter	Explanation
Status	Current dew point control status "Off": The function is <b>not</b> pre-selected (Command is set to "Off"). "On": The function is pre-selected (Command is set to "On"). "Active": The function is pre-selected and active (the setpoint is adjusted). "Error": The function has been pre-selected but the humidity sensor is not available. "Alarm": The limit for the alarm message has been reached.

Tab. 65: Displays at the "Condensate Control" sub-level



**Note:**  
If dew point control is enabled, "Cond. cont." is shown in the optional display with touch function on the home screen below the symbol for fan control.

## 8.6 Configuration index tab

The content of the **Configuration** index tab depends on which component was selected in the left-hand section of the tree view.

If the overall system "Processing Unit" (top node) is selected, the following configuration options are available:

- Group frame **Network**
  - TCP/IP
  - SNMP
  - HTTP
  - File Transfer
  - Console
  - SMTP
  - Modbus/TCP
  - Server Shutdown
  - OPC-UA
- Group frame **System**
  - Syslog
  - Units and Languages
  - Details

# 8 Operation

- Date/Time
- General
- Firmware Update
- WebCam
- Mobile
- Group frame **Security**
  - Groups
  - Users
  - LDAP
  - RADIUS
- Group frame **Cooling System**
  - Air Configuration
  - Water Configuration
  - General Configuration

The configuration options for the Liquid Cooling Package in the group frame **Cooling System** are described in detail in sections 7.2.3 "Changing the measurement units" and 7.2.4 "LCP configuration". All other configuration options are described in the assembly and operating instructions of the IoT Interface 3124.300.

If a subordinate component such as the "Liquid Cooling Package" is selected, the following configuration options are available by clicking on the relevant symbols:

- Configure All Alarms
- Configure Device Rights

These configuration options are described in detail in the assembly and operating instructions of the IoT Interface 3124.300.

## 8.7 Door Opening

The Door Control Module 7030.500 or 7030.501 is operated with the ten buttons from "1" to "0". This requires that the access authorisations are specified in the Access Configuration.

The access authorisations for the door to be monitored are defined on the **Access Configuration** tab.

To add a new access code:

- Select the **Access Configuration** tab in the configuration area.
- Below the list of access codes / transponder cards that have already been added in the **Access** group frame of the **Access Configuration** tab, click the **Add** button.

The "Access Configuration" dialogue appears, analogous to configuring an access authorisation.

To configure an access code:

- In the **Access** group frame, select the line for the desired entry to adjust the settings stored for this purpose.
- Click the **Edit** button.

The "Access Configuration" dialogue opens.

Parameter	Explanation
Type	Configuration of an access. The "Keycode" entry must be selected here.
Code	Number of the button with which the output should be switched. Only one position can be specified, a number code with multiple positions is not supported.
User	Selection of the user authorised for the access. The user must have been created in advance.
Information	Specific additional information for the access. This text is also added for the user in the climate controller logfile.

Tab. 66: Parameters group frame

All connected access modules are displayed in the **Tree** group frame. This is where the assignment is made concerning the handles, which can, in principle, be activated with the access authorisation.

- If necessary, activate a higher-level group in the tree view (e.g., all "real devices", so you can open all the assigned handles with the access authorisation.
- If necessary, deactivate individual handles in a group by clicking again.



Note:

A user must be assigned to the access code. Otherwise, access is not possible even with the input of the correct access code.

To delete an access code:

- Select the line with the required entry you wish to delete.
- If necessary, select another entry by keeping the shift key pressed. All lines from the first entry selected to the last entry selected (inclusive) are selected.
- If necessary, select further entries by keeping the "Ctrl" key pressed. These lines are added individually to the selection.
- Click the **Delete** button.

All selected access authorisations are immediately deleted without a confirmation prompt.

## 8.8 Tasks

The status of all connected components may be polled and logically interlinked using Tasks. The meanings of all statuses are described under the setting options for the individual components (see section 8.5 "Monitoring index tab"). Additionally, date values may also be incorporated into the links. In the event of a status change to the so-called trigger expression, various actions may then be activated. For example, in the event of an alarm message from the integrated access sensor on a certain day of the week, a corresponding e-mail may be sent. The current status of a task cannot be polled via SNMP.

Tasks have general validity. For this reason, the information displayed on the **Tasks** index tab is independent from the components selected in the left-hand section of the screen.

**Example:** The fans should be switched off when the upper limit temperature of the server inlet temperature for which an alarm message will be output is exceeded.

- Activate the "Enable" checkbox in the **Details** group frame and specify a meaningful name for the task in the **Name** field.
- Select the "=" operator in the **Trigger Expression** group frame.
- Click the "No Variable Selected" entry below the "=" operator.
- Select the "Variable" entry (preselected by default) in the "Nature" dropdown list.
- Select the "[2] Liquid Cooling Package" entry in the "Device" dropdown list.
- Select the "Air.Server-In.Status" entry in the "Variable" dropdown list.
- Set in the trigger expression below the selected "Air.Server-In.Status" variable the associated value for which the fans should be switched off, e.g. "Too High".
- Now select the "Set Variable Value" entry as action in the dropdown list in the **Details** group frame.
- Click the **Setup** button.  
The "Configure Set Variable Value" dialogue is displayed.
- Select the "[2] Liquid Cooling Package" entry for the device.
- Select the "Config.Fans.Command" entry in the "Variable" dropdown list.
- Select the "Off" entry in the "Value on True" dropdown list.
- For safety reasons, select the "Automatic" entry in the "Value on False" dropdown list.  
This causes the fans to be switched on again when the status of the server inlet temperature no longer has the status "Too High".

If, in addition to shutting down the fans, the control valve in the water circuit should also be closed, a further task for the same condition must be created.

Manual settings e.g. regarding the operating mode of the fans may be overwritten by actions triggered in the event of status changes.

**Example:** You have defined a task whereby the fans are switched off if the upper server inlet limit temperature is exceeded. To this end, the variable **Config.Fans.Command** is assigned the value **Off** if the **Temperature.Status** has a value of **Too High** ("Value on True"). Furthermore, the variable **Config.Fans.Command** is assigned the value **Automatic** if the **Temperature.Status** does not have a value of **Too High** ("Value on False"). If the server inlet temperature then drops back to within the preset limits after exceeding the upper limit,

the fans are **always** switched to automatic mode by the task, regardless of the previously selected fan operating mode (e.g. "Manual", "Off" or "Full").



Note:

Further information on the creation of tasks may be found in the assembly and operating instructions of the IoT Interface 3124.300.

## 9 Updates and data backup

---

### 9 Updates and data backup

Because FTP access to the climate controller of the Liquid Cooling Package is required only to perform software updates and for data backup, the access should be generally blocked and briefly activated only for the above-mentioned tasks.



Note:

Further information about these topics is available in the assembly and operating instructions of the IoT Interface 3124.300.

---

Rittal recommends that a data backup of the climate controller configuration is made in regular intervals. The settings and configurations of all connected components as displayed currently for the individual sensors on the **Monitoring** and **Configuration** tabs are stored in the "cmcllsave.cfg" file (as of software version V3.11.00).

For a second Liquid Cooling Package of the same type, this configuration file can be placed for transfer similarly in the upload directory. This LCP is then configured automatically similarly as the LCP for which this file was saved.



Note:

It is not possible to transfer a configuration file that was stored from a climate controller with an older software version to a climate controller with a newer software version.

---

## 10 Troubleshooting

### 10.1 General faults

Malfunction location	Malfunction	Cause of malfunction	Effect	Remedy
Control valve	The climate controller displays flow even though the control valve is displayed as closed	The control valve is dirty	The flow meter displays a value. There is a $\Delta T$ .	Use the climate controller to open and close the control valve several times; contaminants may be loosened. It is highly recommended that a filter be installed in the system to ensure the required water quality. If needed, disconnect power to the complete Liquid Cooling Package and restart after approx. 1 minute.
Flow meter	The climate controller displays no flow even though the control valve is displayed as open	Flow meter is dirty	The flow meter displays no value, even though the control valve is open and there is a $\Delta T$ .	The flow meter must be removed and cleaned or replaced by authorised personnel. It is highly recommended that a filter be installed in the system to ensure the required water quality.
Liquid Cooling Package	The Liquid Cooling Package is not regulating temperature and is operating in emergency mode	The communication to the climate controller is interrupted	The 2-way control valve is open and the fans operate at full speed.	Press the "SET" button on the climate controller for approx. 2 seconds. If the communication can be restored, the system then returns to normal operation. If this is not the case, the system restarts. Contact the service department if the fault continues.
	The unit is not providing the required cooling output	Air in the water circuit	If air is present in the water circuit, the water cannot circulate properly in the heat exchanger and so cannot remove heat.	Bleeding the air from the heat exchanger
Liquid Cooling Package	The unit is not providing the required cooling output	Increased pressure loss on the piping network side, e.g. through a clogged filter or incorrectly set flow limiter	The external pumps are not able to pump enough cold water through the Liquid Cooling Package.	Clean the filter, set the flow limiter correctly.
		Air routing not correct	The cooled air passes through unsealed openings past the equipment to the back of the enclosure.	Unused height units in the 482.6 mm (19") level as well as side slots and openings must be sealed using blanking plates or foam strips. Both are available as accessories.
		Pump incorrectly dimensioned.	Flow rate too low.	Dimension the pump larger.
		Hydraulic balancing not established.	Water flow rate in LCP too low.	Establish hydraulic balancing with balancing valves or similar.

# 10 Troubleshooting

In order to prevent malfunctions caused by the cold water system, the following remedies should be implemented.

Malfunction location	Malfunction	Cause of malfunction	Effect	Remedy
Cold water system	Corrosion and contaminants in the cold water system	Insufficient cleaning after a new installation	Unclean and aggressive water leads to a weakening of the material and to improper function. The function of components such as the 2-way control valve and the flow meter is strongly impaired through contaminants.	During initial installation, the pipe network and the system parts should be flushed out before the installation of the Liquid Cooling Package.
		Improper treatment of the water with corrosion protection additives		Rittal GmbH & Co. KG recommends the installation of filters and the treatment of the water with appropriate corrosion and, if needed, antifreeze additives. The recommended notes regarding water quality are found in section 16.2 "Characteristic curves".
		Older systems with existing contaminants		Upon integration in existing cold water networks, the use of a water/water heat exchanger is recommended. This forms a second water circuit.

10

## 10.2 Messages on the display

A configuration change of the LCP or the climate controller, such as the connection of an additional sensor, will be indicated on the multi-LED (see section 8.1.1 "Control unit hardware for the Liquid Cooling Package"). These messages must then be acknowledged appropriately (see section 8.2.2 "Acknowledging messages").



## 11 Inspection and maintenance

During inspection and maintenance of the unit, the personal protective equipment, consisting of at least water-proof protective gloves and safety goggles, must be worn.

The Liquid Cooling Package is largely maintenance-free. An additional external strainer with fine-mesh sieve is required if the cooling water is contaminated. This should be cleaned regularly.

- The condensate discharge device should be checked regularly for proper function.
- Visually inspect for leaks regularly (annual cycle).
- Routine visual inspection of the heat exchanger for contamination. Clean, if necessary.
- Routine visual inspection of the condensate tray for contamination. Clean, if necessary.



Note:

At an ambient temperature of 40 °C, the nominal service life of the built-in fan is 40,000 operating hours.

Fan module malfunctions are displayed on the optional display or on the status screen of the climate controller (if the Liquid Cooling Package is connected to a network).



**Caution!**

**Danger caused by high air speeds and high sound pressure level!**

**Wear safety goggles, ear muffs and possibly a hair net or head covering.**



**Caution!**

**Danger caused by high air temperatures!**

**Do not perform any work on the unit when your cardiovascular system is not 100% or illness symptoms occur.**



**Caution!**

**If leaks occur, there is the risk of injury caused by escaping refrigerant, in particular glycol.**

**Wear personal protective equipment, collect any escaped refrigerant with suitable cloths or absorbent materials, and rectify the leakage cause without delay.**



**Caution!**

**When cleaning the condensate tray, there is the risk of injury caused by escaping refrigerant, in particular glycol.**

**Wear personal protective equipment (PPE)!**



**Caution!**

**Danger caused by coolant, in particular anti-freeze!**

**Wear personal protective equipment (PPE)!**

# 12 Storage and disposal

---

## 12 Storage and disposal

---



**Caution! Risk of damage!**

**The air/water heat exchanger must not be subjected to temperatures above +70 °C during storage.**

---

During storage, the air/water heat exchanger must stand upright.

Disposal can be performed at the Rittal plant.

Please contact us for advice.

Emptying:

During storage and transportation below freezing point, the air/water heat exchanger should be drained completely.

## 13 Technical specifications

### 13.1 Global versions

#### 13.1.1 Output class 30 kW

##### LCP Rack Flush CW and LCP Inline Protruding CW (CW = Chilled Water)

Technical specifications	
Description/Model No.	LCP Rack Flush 30 CW / 3314.130 (1000 mm depth)
Description/Model No.	LCP Rack Flush 30 CW / 3314.230 (1200 mm depth)
Description/Model No.	LCP Inline Protruding 30 CW / 3314.530 (1200 mm depth)
Rated voltage	200...240 V/1~   346...415/3~
Rated frequency	50/60 Hz
Rated power input	3.15 kW
Cooling output, total L24W15 (H <sub>2</sub> O)	30 kW (102364 BTU/h)
Ambient operating temperature range	10...50 °C
Cooling medium	see section 16.1
Coolant temperature range	10...30 °C, non-condensing
Permitted water circuit pressure	1 MPa
Flow rate	0...100 l/min
Fill volume	7.2 l
Noise level	88 dB(A)
Protection category	IP 10B
Weight	225 kg (3314.130), 230 kg (3314.230/530)

Tab. 67: Technical specifications for LCP Rack Flush CW and LCP Inline Protruding CW (30 kW versions)

##### LCP Inline Flush CW (CW = Chilled Water)

Technical specifications	
Description/Model No.	LCP Inline Flush / 3314.540 (1200 mm depth/2000 mm height)
Description/Model No.	LCP Inline Flush / 3314.542 (1200 mm depth/2200 mm height)
Rated voltage	200...240 V/1~   346...415/3~
Rated frequency	50/60 Hz
Rated power input	2.15 kW
Cooling output, total L24W15 (H <sub>2</sub> O)	30 kW (102364 BTU/h)
Ambient operating temperature range	10...50 °C
Cooling medium	see section 16.1
Coolant temperature range	10...30 °C, non-condensing
Permitted water circuit pressure	1 MPa
Flow rate	0...100 l/min

Tab. 68: Technical specifications for LCP Inline flush CW

# 13 Technical specifications

Technical specifications	
Fill volume	7.2 l
Noise level	86 dB(A)
Protection category	IP 10B
Weight	220 kg (3314.540), 240 kg (3314.542)

Tab. 68: Technical specifications for LCP Inline flush CW

## 13.1.2 Output class 35 kW

### LCP Inline Flush CWG (CWG = Chilled Water Glycol)

Technical specifications		
Description/Model No.	LCP Inline flush CWG / 3314.550 (1200 mm depth)	
Rated voltage	200...240 V/1~	346...415/3~
Rated frequency	50/60 Hz	
Rated power input	2.15 kW	
Cooling output, total L24W15 (H <sub>2</sub> O)	31 kW (119425 BTU/h)	
Ambient operating temperature range	10...50 °C	
Cooling medium	see section 16.1	
Coolant temperature range	10...30 °C, max. dehumidification rate 20 l/h	
Permitted water circuit pressure	1 MPa	
Flow rate	0...80 l/min	
Fill volume	10.5 l	
Noise level	86 dB(A)	
Protection category	IP 10B	
Weight	280 kg	

Tab. 69: Technical specifications for LCP Inline flush CWG

## 13.1.3 Output class 44 kW

### LCP Rack Flush CWG and LCP Inline Protruding CWG (CWG = Chilled Water Glycol)

Technical specifications		
Description/Model No.	LCP Rack Flush 30 CWG / 3314.250 (1200 mm depth)	
Description/Model No.	LCP Inline Protruding 30 CWG / 3314.570 (1200 mm depth)	
Rated voltage	200...240 V/1~	346...415/3~
Rated frequency	50/60 Hz	
Rated power input	3.15 kW	
Cooling output, total L24W15 (H <sub>2</sub> O)	44 kW (150134 BTU/h)	
Ambient operating temperature range	10...50 °C	
Cooling medium	see section 16.1	
Coolant temperature range	10...30 °C, max. dehumidification rate 20 l/h	

Tab. 70: Technical specifications for LCP Rack Flush CWG und LCP Inline Protruding CWG (30 kW versions)

## 13 Technical specifications

Technical specifications	
Permitted water circuit pressure	1 MPa
Flow rate	0...80 l/min
Fill volume	10.5 l
Noise level	88 dB(A)
Protection category	IP 10B
Weight	280 kg

Tab. 70: Technical specifications for LCP Rack Flush CWG und LCP Inline Protruding CWG (30 kW versions)

### 13.1.4 Output class 53 kW

#### LCP Rack Flush CW and LCP Inline Protruding CW (CW = Chilled Water)

Technical specifications		
Description/Model No.	LCP Rack Flush 53 CW / 3314.260 (1200 mm depth)	
Description/Model No.	LCP Inline Protruding 53 CW / 3314.560 (1200 mm depth)	
Rated voltage	200...240 V/1~	346...415/3~
Rated frequency	50/60 Hz	
Rated power input	3.15 kW	
Cooling output, total L24W15 (H <sub>2</sub> O)	53 kW (180844 BTU/h)	
Ambient operating temperature range	10...50 °C	
Cooling medium	see section 16.1	
Coolant temperature range	10...30 °C, non-condensing	
Permitted water circuit pressure	1 MPa	
Flow rate	0...140 l/min	
Fill volume	10.4 l	
Noise level	88 dB(A)	
Protection category	IP 10B	
Weight	260 kg	

Tab. 71: Technical specifications for LCP Rack Flush CW and LCP Inline Protruding CW (53 kW versions)

### 13.2 NSA versions

#### 13.2.1 Output class 30 kW

#### LCP Rack Flush CW and LCP Inline Protruding CW (CW = Chilled Water)

Technical specifications		
Description/Model No.	LCP Rack Flush 30 CW / 3314.238 (1000 mm depth)	
Description/Model No.	LCP Rack Flush 30 CW / 3314.538 (1200 mm depth)	
Rated voltage	200...240 V/1~	200...240 V/2~
Rated frequency	50/60 Hz	
Rated power input	3.15 kW	

Tab. 72: Technical specifications for LCP Rack Flush CW and LCP Inline Protruding CW (30 kW versions)

# 13 Technical specifications

Technical specifications	
Cooling output, total L24W15 (H <sub>2</sub> O)	30 kW (102364 BTU/h)
Ambient operating temperature range	10...50 °C
Cooling medium	see section 16.1
Coolant temperature range	10...30 °C, non-condensing
Permitted water circuit pressure	1 MPa
Flow rate	0...100 l/min
Fill volume	7.2 l
Noise level	88 dB(A)
Protection category	IP 10B
Weight	230 kg

Tab. 72: Technical specifications for LCP Rack Flush CW and LCP Inline Protruding CW (30 kW versions)

## LCP Inline Flush CW (CW = Chilled Water)

Technical specifications		
Description/Model No.	LCP Inline Flush / 3314.548 (1200 mm depth)	
Rated voltage	200...240 V/1~	200...240 V/2~
Rated frequency	50/60 Hz	
Rated power input	2.15 kW	
Cooling output, total L24W15 (H <sub>2</sub> O)	30 kW (102364 BTU/h)	
Ambient operating temperature range	10...50 °C	
Cooling medium	see section 16.1	
Coolant temperature range	10...30 °C, non-condensing	
Permitted water circuit pressure	1 MPa	
Flow rate	0...100 l/min	
Fill volume	7.2 l	
Noise level	86 dB(A)	
Protection category	IP 10B	
Weight	220 kg	

Tab. 73: Technical specifications for LCP Inline flush CW

## 13.2.2 Output class 53 kW

### LCP Rack Flush CW and LCP Inline Protruding CW (CW = Chilled Water)

Technical specifications		
Description/Model No.	LCP Rack Flush 53 CW / 3314.268 (1200 mm depth)	
Description/Model No.	LCP Inline Protruding 53 CW / 3314.568 (1200 mm depth)	
Rated voltage	200...240 V/1~	200...240 V/2~
Rated frequency	50/60 Hz	

Tab. 74: Technical specifications for LCP Rack Flush CW and LCP Inline Protruding CW (53 kW versions)

## 13 Technical specifications

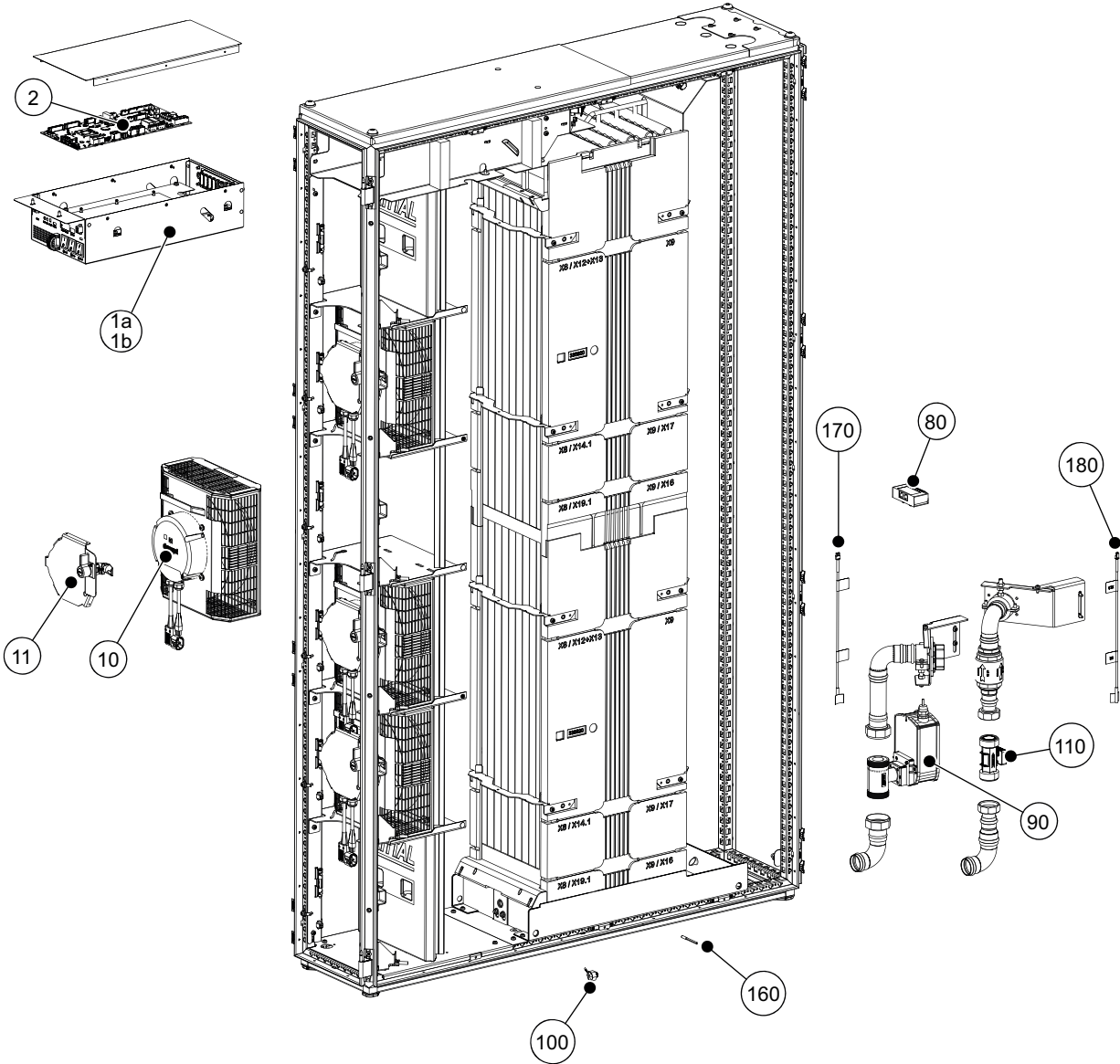
<b>Technical specifications</b>	
Rated power input	3.15 kW
Cooling output, total L24W15 (H <sub>2</sub> O)	53 kW (180844 BTU/h)
Ambient operating temperature range	10...50 °C
Cooling medium	see section 16.1
Coolant temperature range	10...30 °C, non-condensing
Permitted water circuit pressure	1 MPa
Flow rate	0...140 l/min
Fill volume	10.4 l
Noise level	88 dB(A)
Protection category	IP 10B
Weight	260 kg

Tab. 74: Technical specifications for LCP Rack Flush CW and LCP Inline Protruding CW (53 kW versions)

# 14 Spare parts

## 14 Spare parts

Spare parts may be ordered directly from the Rittal website:  
 – [http://rittal.com/spare\\_parts](http://rittal.com/spare_parts)



### Key

- 1a Electronic module global version
- 1b Electronic module NSA version
- 2 Climate controller
- 10 Fan module
- 11 Fan lock
- 80 CMC humidity sensor
- 90 Control valve
- 100 Leak sensor
- 110 Flow meter sensor
- 160 Temperature sensor
- 170 Temperature sensor, inlet
- 180 Temperature sensor, return



## 15 Accessories

Item	Model No.	Qty./Pack	Comments
Vertical shielding (foam strips) for enclosure width 600 mm, for mounting side panel	3301.380	1	
Vertical shielding (foam strips) for enclosure width 600 mm, for mounting Liquid Cooling Package	3301.370	1	
Vertical shielding (foam strips) for enclosure width 800 mm, for mounting side panel	3301.390	1	
Vertical shielding (foam strips) for enclosure width 800 mm, for mounting Liquid Cooling Package	3301.320	1	
Air baffle plate for VX IT, W x H: 600 x 2000 mm, dyn.	5302.004	1	
Air baffle plate for VX IT, W x H: 600 x 2000 mm, std.	5302.016	1	
Air baffle plate for VX IT, W x H: 800 x 2000 mm, dyn.	5302.005	1	
Air baffle plate for VX IT, W x H: 800 x 2000 mm, std.	5302.014	1	
Connection hose bottom/top	3311.040	2	Length 1.8 m, may be shortened
Connection cable, three-phase	7856.025	1	Global version
Touch panel display, colour	3314.030	1	
Fan module	3313.016	1	
Condensate pump	3314.012	1	
Rear adaptor for LCP Inline CW, W x H x D: 300 x 2000 x 200 mm, RAL 7035	3312.081	1	
Rear adaptor for LCP Inline CW, W x H x D: 300 x 2200 x 200 mm, RAL 7035	3312.082	1	
Rear adaptor for LCP Inline CW, W x H x D: 300 x 300 x 2000 x 200 mm, RAL 9005	3312.083	1	
Rear adaptor for LCP Inline CW, W x H x D: 300 x 300 x 2200 x 200 mm, RAL 9005	3312.084	1	
Baying the LCP CW Protruding to the TS IT 4 x baying connectors and one seal at both the front and rear	3311.089	1	Two baying kits are needed for baying the LCP on both sides
Baying the LCP Flush to the VX IT VX IT baying connector, external baying gap 3 mm, for mounting a one-piece partition	5301.310	1	Two baying kits are needed for baying the LCP on both sides
Baying the LCP Flush to the TS IT VX IT/TS, TS IT baying connector, external, zinc-coated sheet steel	5301.312	1	Two baying kits are needed for baying the LCP on both sides

Tab. 75: Accessories list – Liquid Cooling Package

## 15 Accessories

Item	Model No.	Qty./Pack	Comments
CMC III temperature sensor	7030.110	1	Temperature sensor for installing e.g. in the cold aisle. The temperature sensor comprises the sensor electronics and an NTC sensor with a 1.8 m long cable for plugging into the sensor electronics. The electronics themselves may be connected to the LCP with a CMC III CAN bus connection cable RJ45 10 (7030.095).
CMC III analog differential pressure sensor	7030.150	1	The differential pressure sensor is required for the (optional) regulation of the fan speed based on the pressure difference. The electronics themselves may be connected to the LCP with a CMC III CAN bus connection cable RJ45 10 (7030.095).
Mounting kit for LCP side panel	3313.089	1	Consisting of 6 x mounting brackets, screws and instruction leaflet.

Tab. 75: Accessories list – Liquid Cooling Package

In addition to the integrated sensors, the CAN bus interface allows a wide range of sensors, actuators and systems for access monitoring to be connected. A detailed listing of the complete range of accessories is available at Internet address [www.rittal.com](http://www.rittal.com).

## 16 Further technical information

### 16.1 Information concerning the filling and additive water

To avoid damages to the system and ensure reliable operation, the provisions of VDI 2035 should be observed for filling and top-up water.

#### Admissible cooling media

- Saline and low-salinity water based on VDI 2035 plus max. 50 volume percent Antifrogen-N (see table 76).

#### Recommended cooling medium

- Low-salinity water (demineralised water) based on VDI 2035. Up to a maximum of 50 volume percent Antifrogen-N may be added (see table 76). Other additives may be used only in agreement with Rittal.

	Low-salinity	Saline
Electrical conductivity at 25 °C [ $\mu\text{S}/\text{cm}$ ]	< 100	100...1,500
Appearance	Free from sedimenting substances	
pH value at 25 °C	8.2...10.0	
Oxygen [mg/l]	< 0.1	< 0.02

Tab. 76: Water specifications

# 16 Further technical information

## 16.2 Characteristic curves



Note:

You can find the Rittal IT Cooling Calculator at the following internet address. Here you can calculate the cooling capacity of the LCPs by specifying various parameters.

– [https://www.rittal.com/com\\_en/it-cooling-calculator/index.php?lang=en](https://www.rittal.com/com_en/it-cooling-calculator/index.php?lang=en)

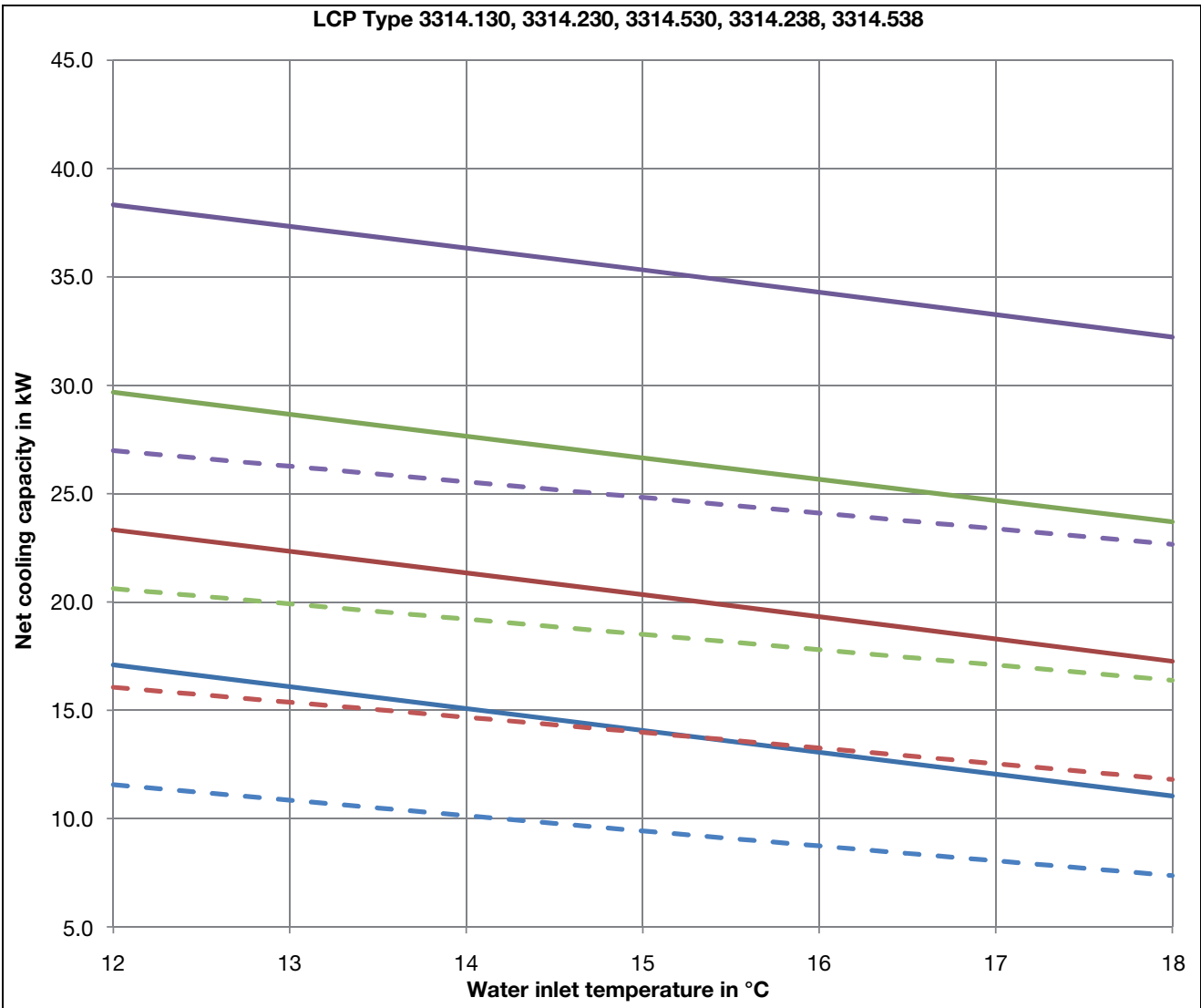


Fig. 143: Power curve LCP Type 3314.130, 3314.230, 3314.530, 3314.238, 3314.538

**Key**

- Server outlet air temperature 30 °C, 60 l/min
- Server outlet air temperature 36 °C, 60 l/min
- Server outlet air temperature 42 °C, 60 l/min
- Server outlet air temperature 50 °C, 60 l/min
- - - Server outlet air temperature 30 °C, 20 l/min
- - - Server outlet air temperature 36 °C, 20 l/min
- - - Server outlet air temperature 42 °C, 20 l/min
- - - Server outlet air temperature 50 °C, 20 l/min

**Conditions**

- No. of fan modules: 4
- Volumetric airflow: 5000 m<sup>3</sup>/h
- Air pressure: 1.013 bar
- Abs. humidity: 8 g/kg

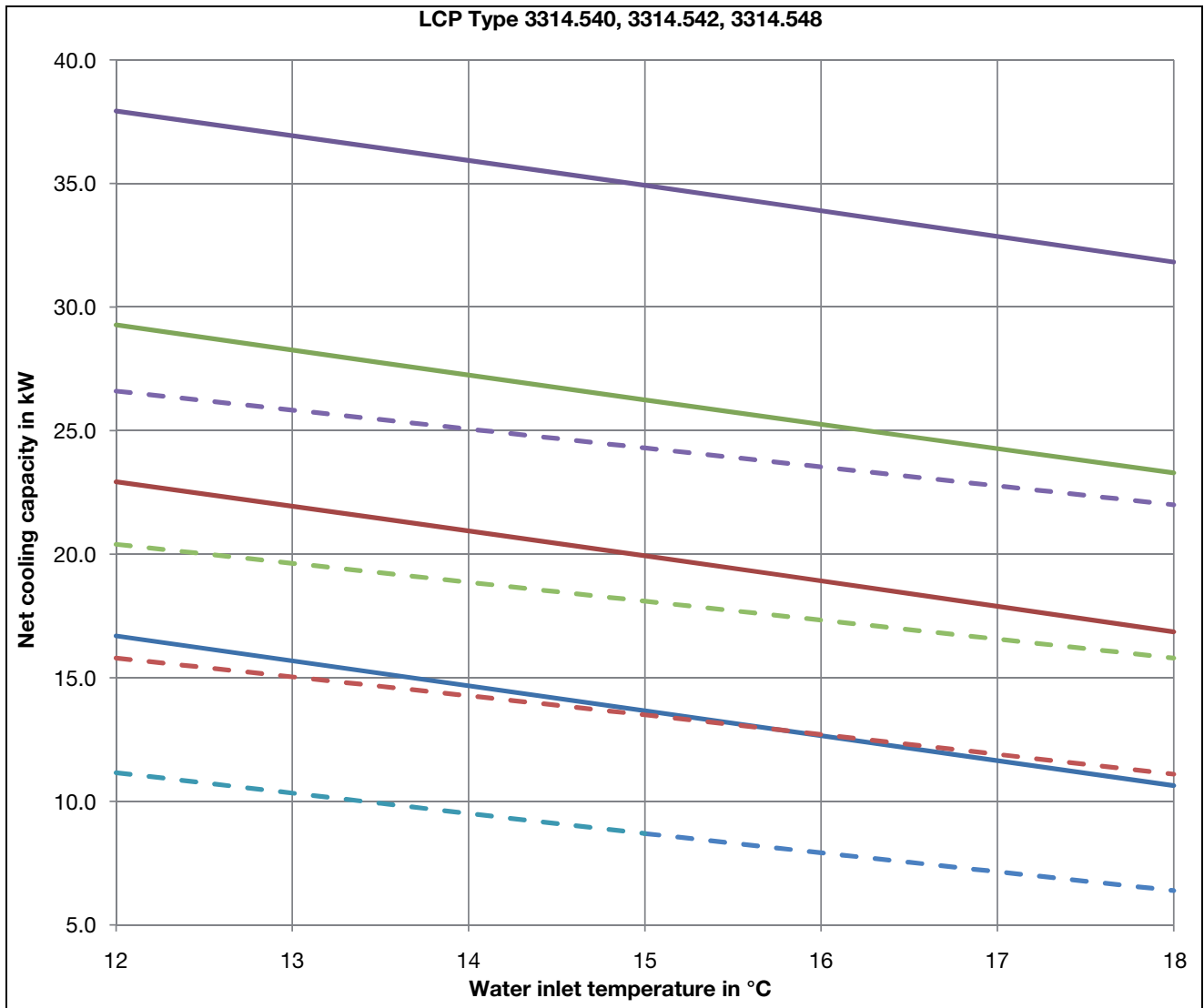


Fig. 144: Power curve LCP Type 3314.540, 3314.542, 3314.548

**Key**

- Server outlet air temperature 30 °C, 60 l/min
- Server outlet air temperature 36 °C, 60 l/min
- Server outlet air temperature 42 °C, 60 l/min
- Server outlet air temperature 50 °C, 60 l/min
- - - Server outlet air temperature 30 °C, 20 l/min
- - - Server outlet air temperature 36 °C, 20 l/min
- - - Server outlet air temperature 42 °C, 20 l/min
- - - Server outlet air temperature 50 °C, 20 l/min

**Conditions**

- No. of fan modules: 4
- Volumetric airflow: 5000 m<sup>3</sup>/h
- Air pressure: 1.013 bar
- Abs. humidity: 8 g/kg

# 16 Further technical information

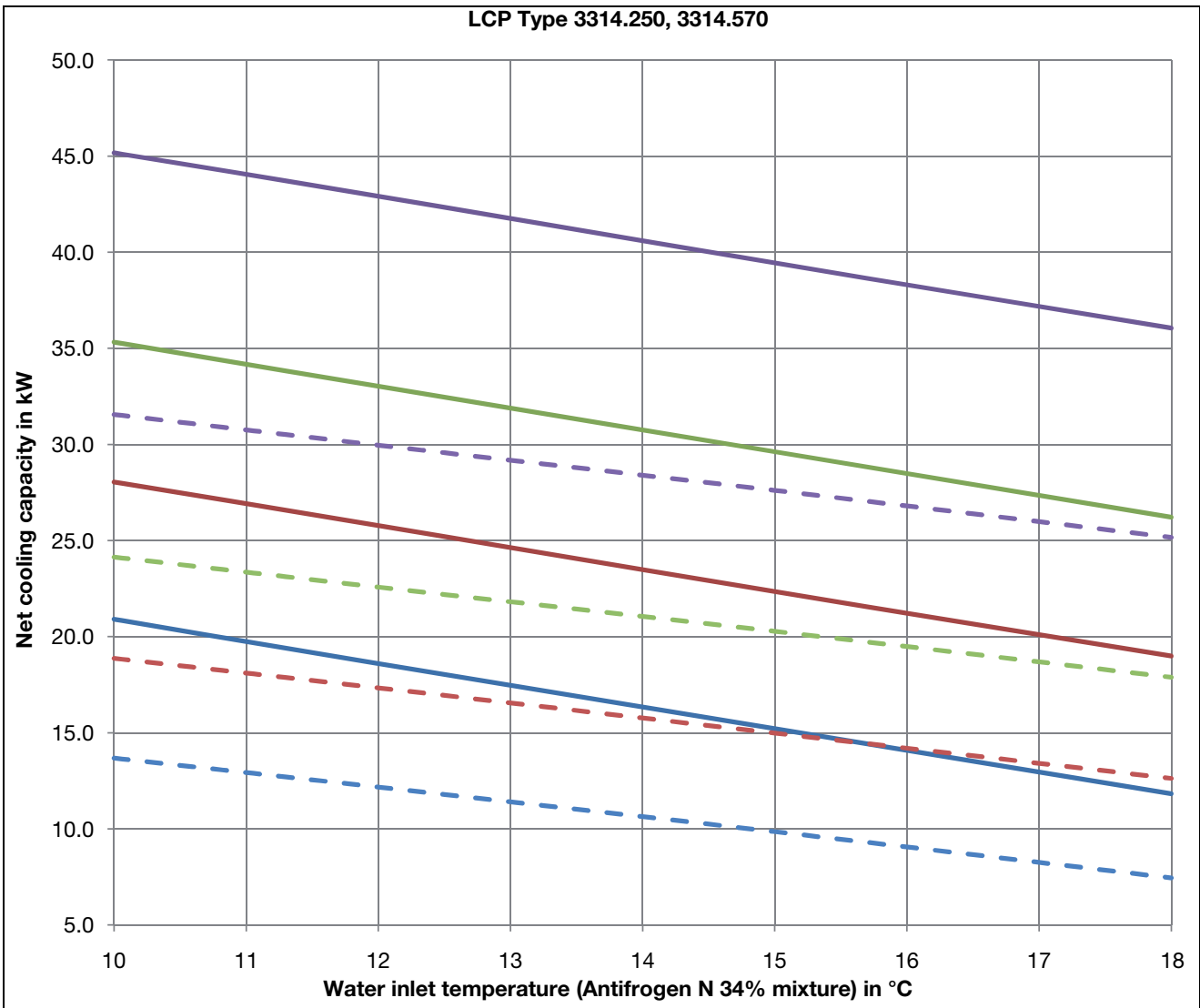


Fig. 145: Power curve LCP Type 3314.250, 3314.570

**Key**

- Server outlet air temperature 30 °C, 60 l/min
- Server outlet air temperature 36 °C, 60 l/min
- Server outlet air temperature 42 °C, 60 l/min
- Server outlet air temperature 50 °C, 60 l/min
- - - Server outlet air temperature 30 °C, 20 l/min
- - - Server outlet air temperature 36 °C, 20 l/min
- - - Server outlet air temperature 42 °C, 20 l/min
- - - Server outlet air temperature 50 °C, 20 l/min

**Conditions**

- No. of fan modules: 4
- Volumetric airflow: 5000 m<sup>3</sup>/h
- Air pressure: 1.013 bar
- Abs. humidity: 8 g/kg

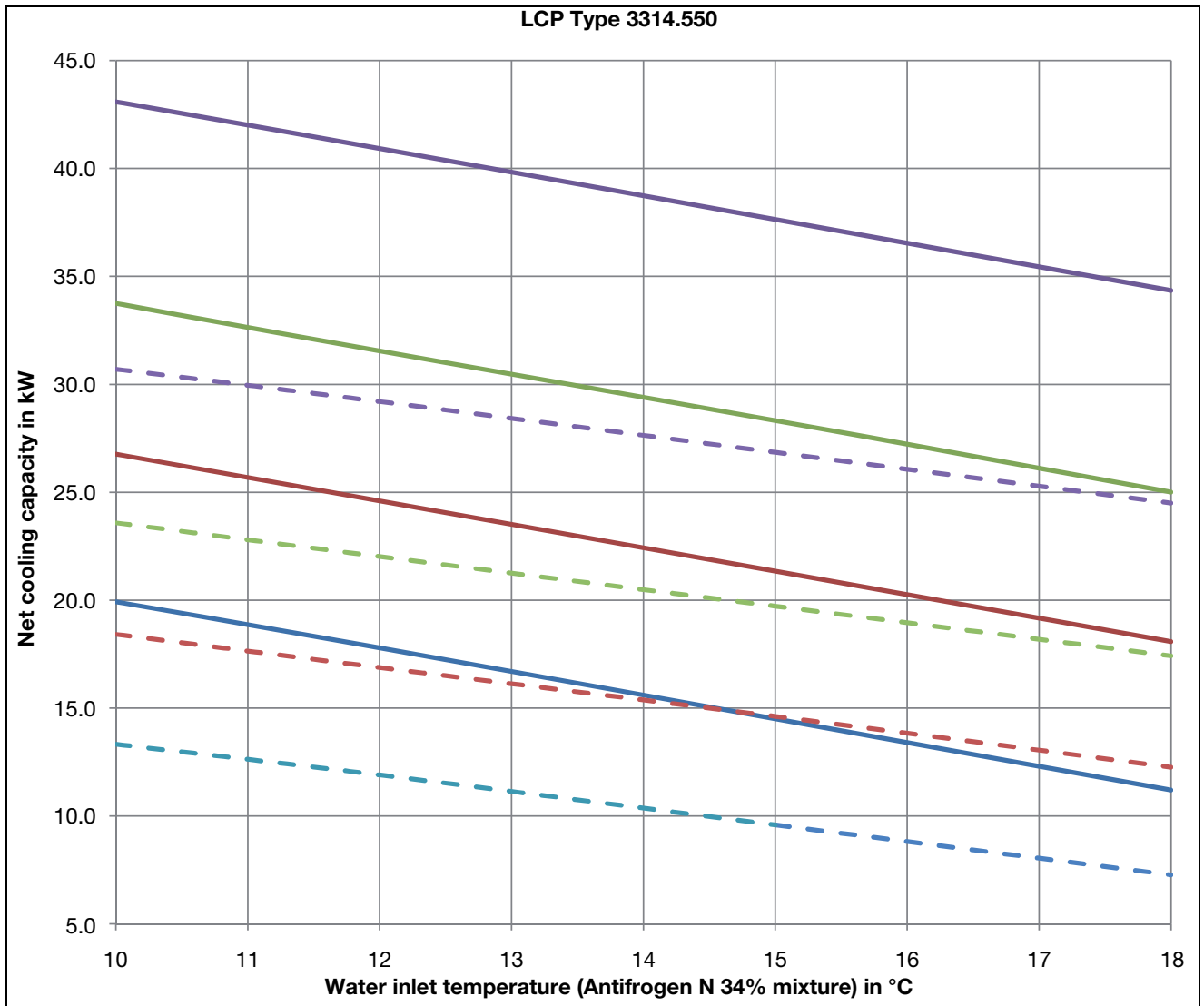


Fig. 146: Power curve LCP Type 3314.550

**Key**

- Server outlet air temperature 30 °C, 60 l/min
- Server outlet air temperature 36 °C, 60 l/min
- Server outlet air temperature 42 °C, 60 l/min
- Server outlet air temperature 50 °C, 60 l/min
- - - Server outlet air temperature 30 °C, 20 l/min
- - - Server outlet air temperature 36 °C, 20 l/min
- - - Server outlet air temperature 42 °C, 20 l/min
- - - Server outlet air temperature 50 °C, 20 l/min

**Conditions**

- No. of fan modules: 4
- Volumetric airflow: 4700 m<sup>3</sup>/h
- Air pressure: 1.013 bar
- Abs. humidity: 8 g/kg

# 16 Further technical information

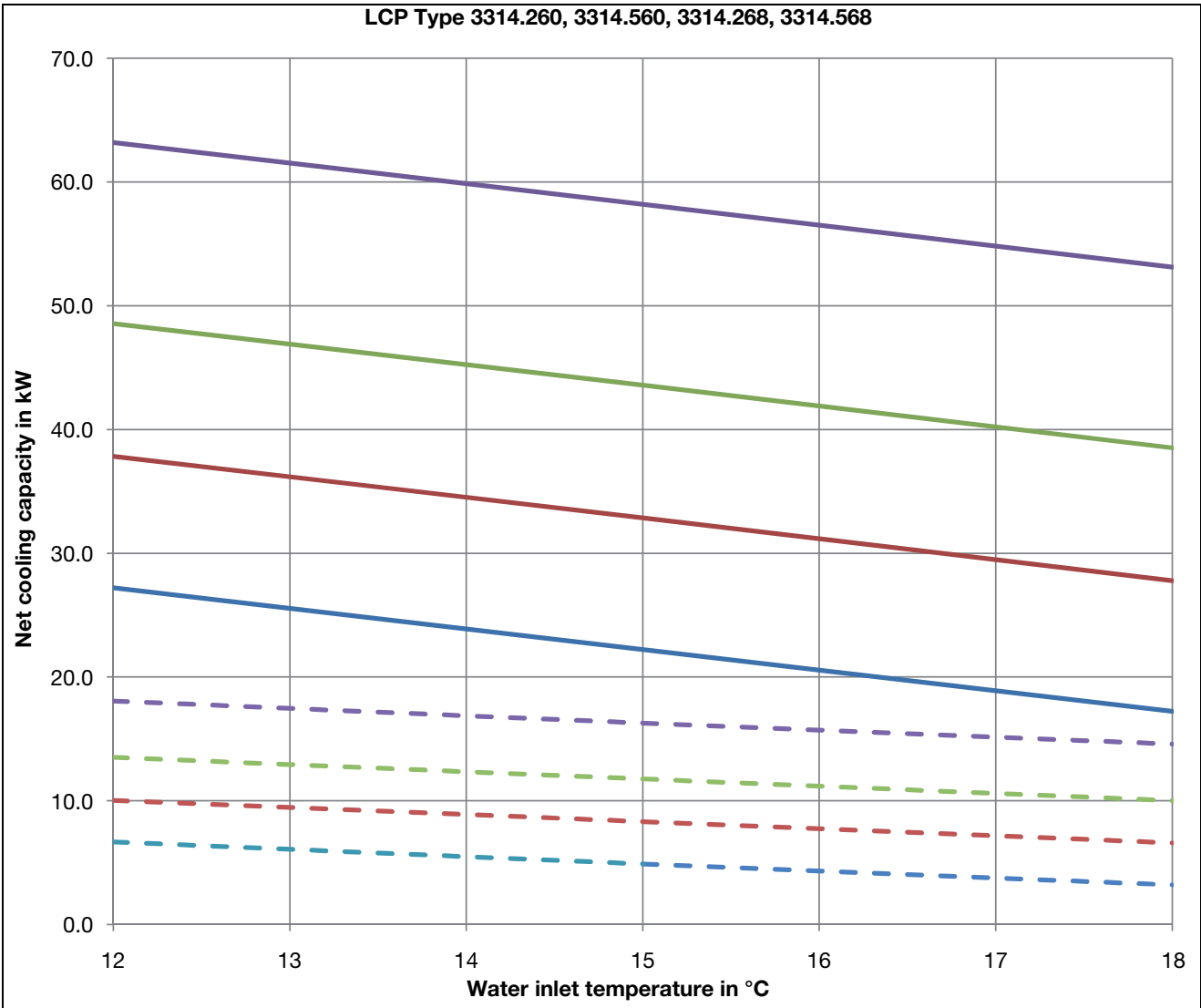


Fig. 147: Power curve LCP Type 3314.260, 3314.560, 3314.268, 3314.568

- |  |  |
|--|--|
| <p><b>Key</b></p> <ul style="list-style-type: none"> <li><span style="color: blue;">—</span> Server outlet air temperature 30 °C, 125 l/min</li> <li><span style="color: red;">—</span> Server outlet air temperature 36 °C, 125 l/min</li> <li><span style="color: green;">—</span> Server outlet air temperature 42 °C, 125 l/min</li> <li><span style="color: purple;">—</span> Server outlet air temperature 50 °C, 125 l/min</li> <li><span style="color: blue;">- -</span> Server outlet air temperature 30 °C, 20 l/min</li> <li><span style="color: red;">- -</span> Server outlet air temperature 36 °C, 20 l/min</li> <li><span style="color: green;">- -</span> Server outlet air temperature 42 °C, 20 l/min</li> <li><span style="color: purple;">- -</span> Server outlet air temperature 50 °C, 20 l/min</li> </ul> | <p><b>Conditions</b></p> <ul style="list-style-type: none"> <li>No. of fan modules: 6</li> <li>Volumetric airflow: 7900 m<sup>3</sup>/h</li> <li>Air pressure: 1.013 bar</li> <li>Abs. humidity: 8 g/kg</li> </ul> |
|--|--|



## 16.2.1 Pressure loss

When a water-antifrogen-N mixture (66% water, 34% glycol) is used, the pressure loss specified in the following figures must be multiplied by factor 1.3.

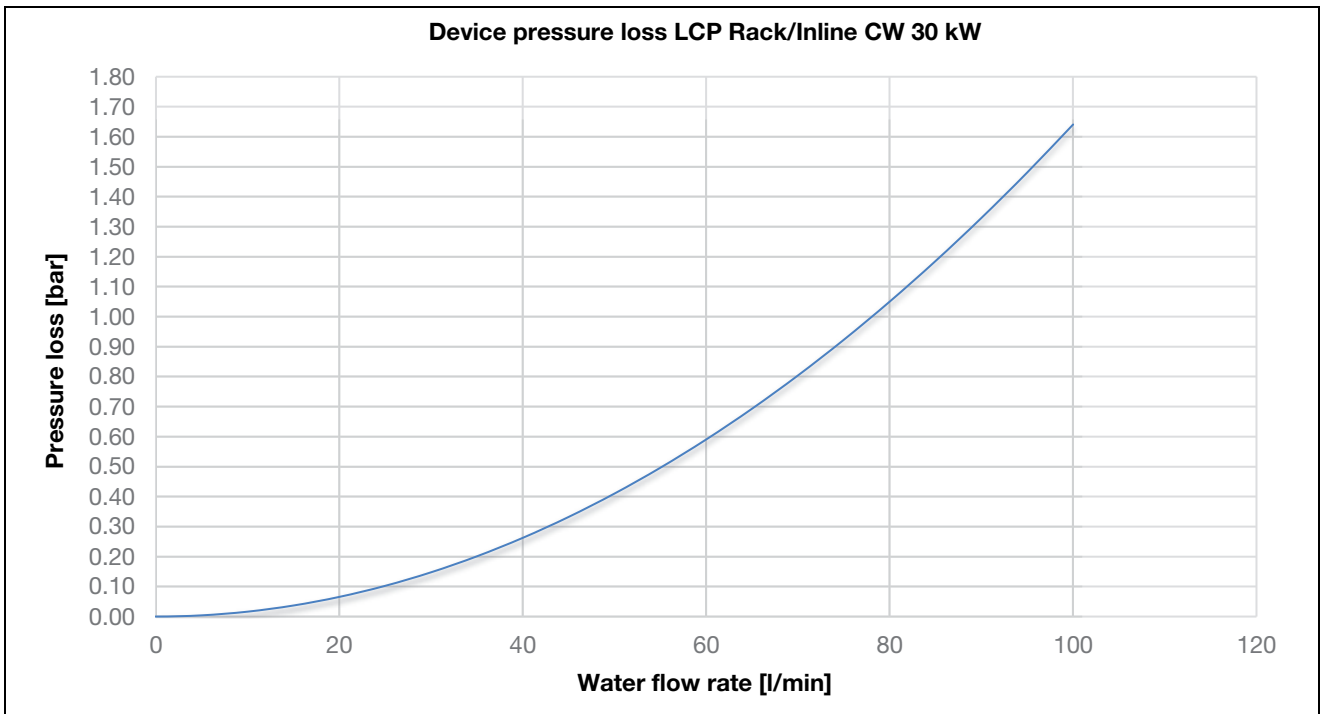


Fig. 148: Pressure loss of the LCP CW in the "30 kW" version

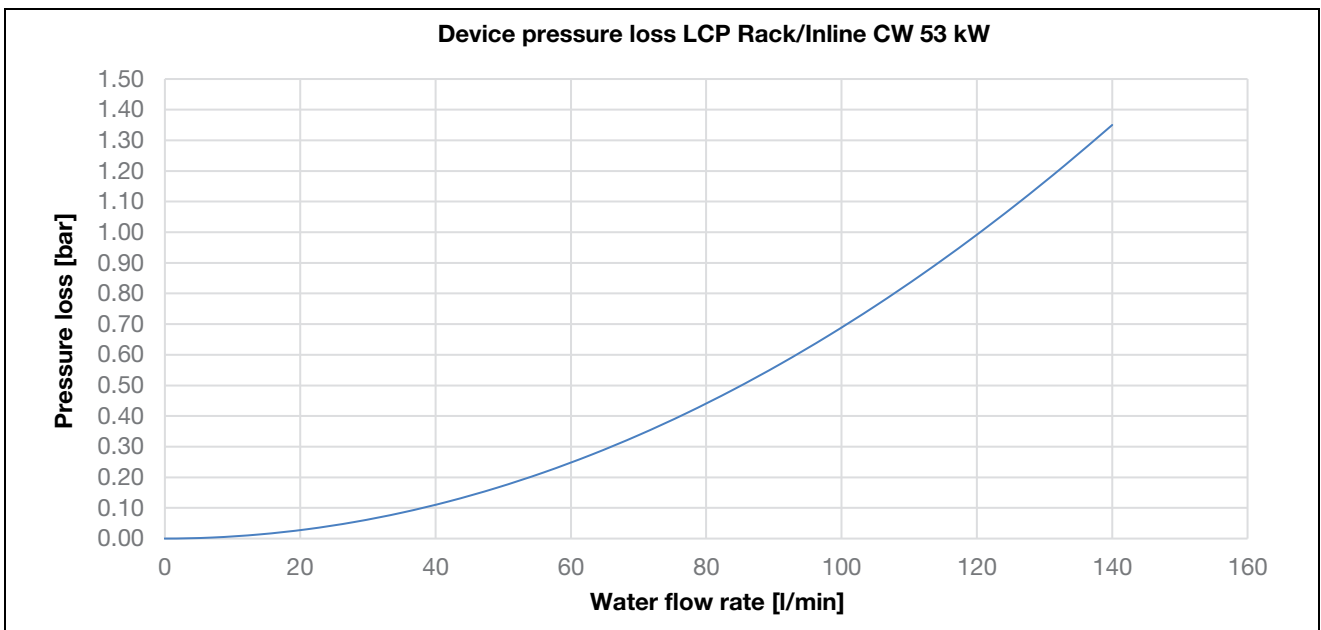


Fig. 149: Pressure loss of the LCP CW in the "53 kW" version

## 16 Further technical information

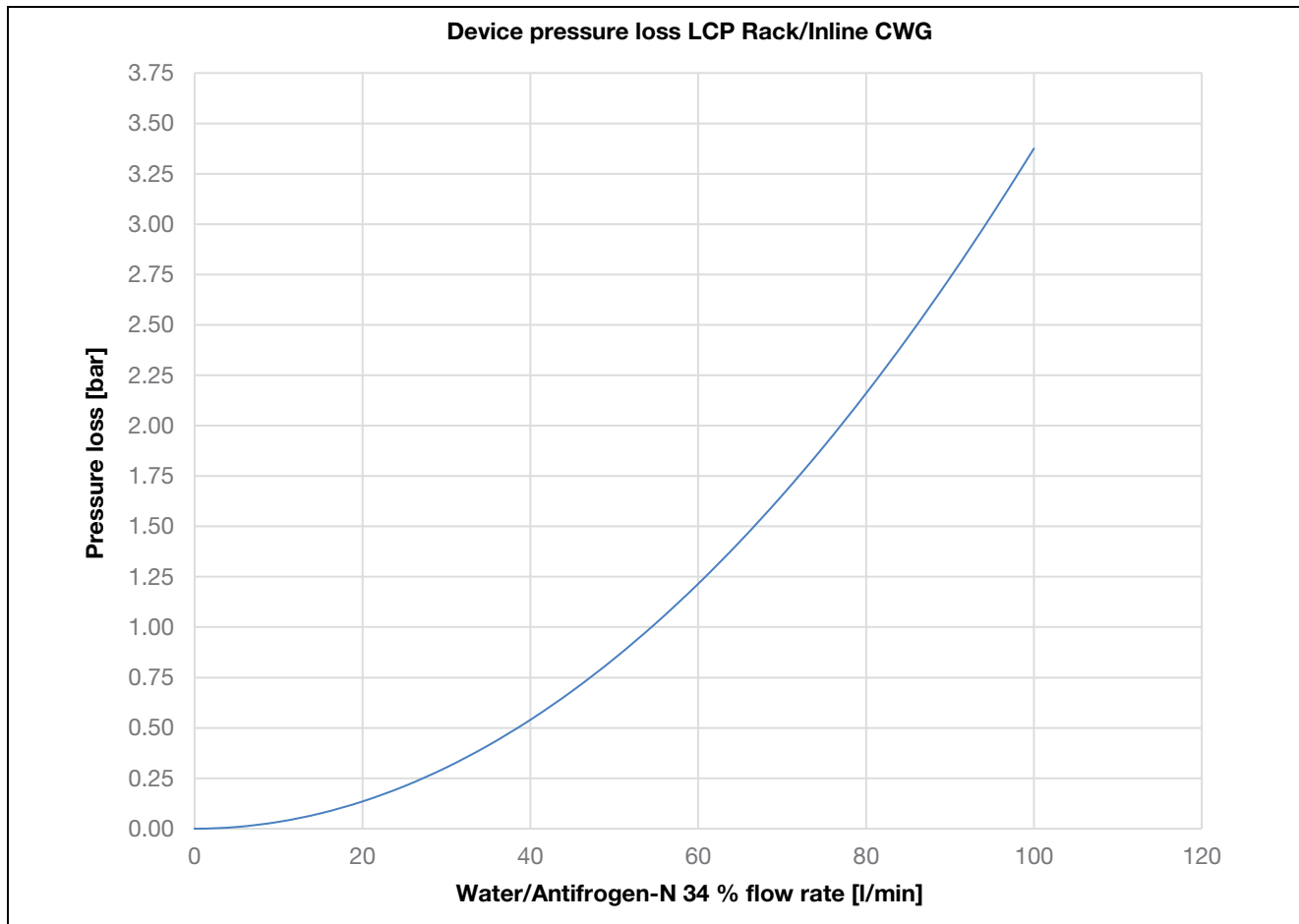


Fig. 150: Pressure loss of the LCP CWG

16.3 Overview drawings

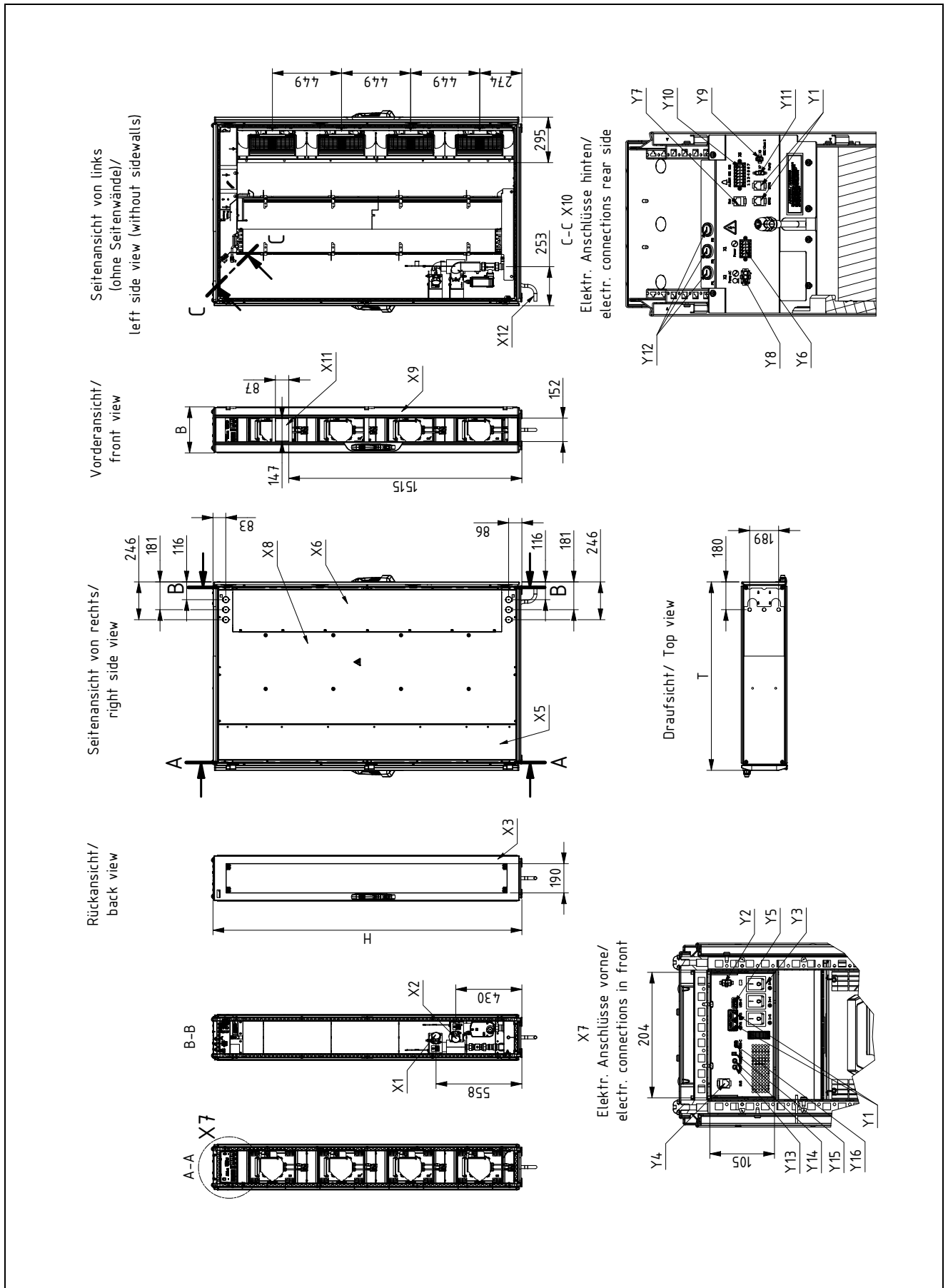


Fig. 151: Overview drawing of LCP Inline Flush, 30 kW

## 16 Further technical information

---

### Key

Y1	Network connection 1/2	X1	Water return 1½"
Y2	Display connection	X2	Water inlet 1½"
Y3	Fan switch	X3	Perforated rear door
Y4	Bus connection	X4	Fan
Y5	USB-H connection	X5	Front side panel
Y6	Mains connection	X6	Rear side panel cover
Y7	Bus connection	X7	Front customer connection
Y8	Power supply – optional condensate pump (3312.012 and 3314.012)	X8	Rear side panel
Y9	Control line – optional condensate pump X3 (3312.012)	X9	Perforated front door
Y10	Climate controller alarm connection	X10	Rear customer connection
Y11	Control line – optional condensate pump X7 (3314.012)	X11	Position of the display
Y12	Fuses F1, F2, F3	X12	Condensate drain
Y13	"SET" button climate controller	T	Depth clearance without handles
Y14	"Reset" button climate controller	B	Overall width
Y15	Multi-LED	H	Overall height
Y16	USB-C connection		

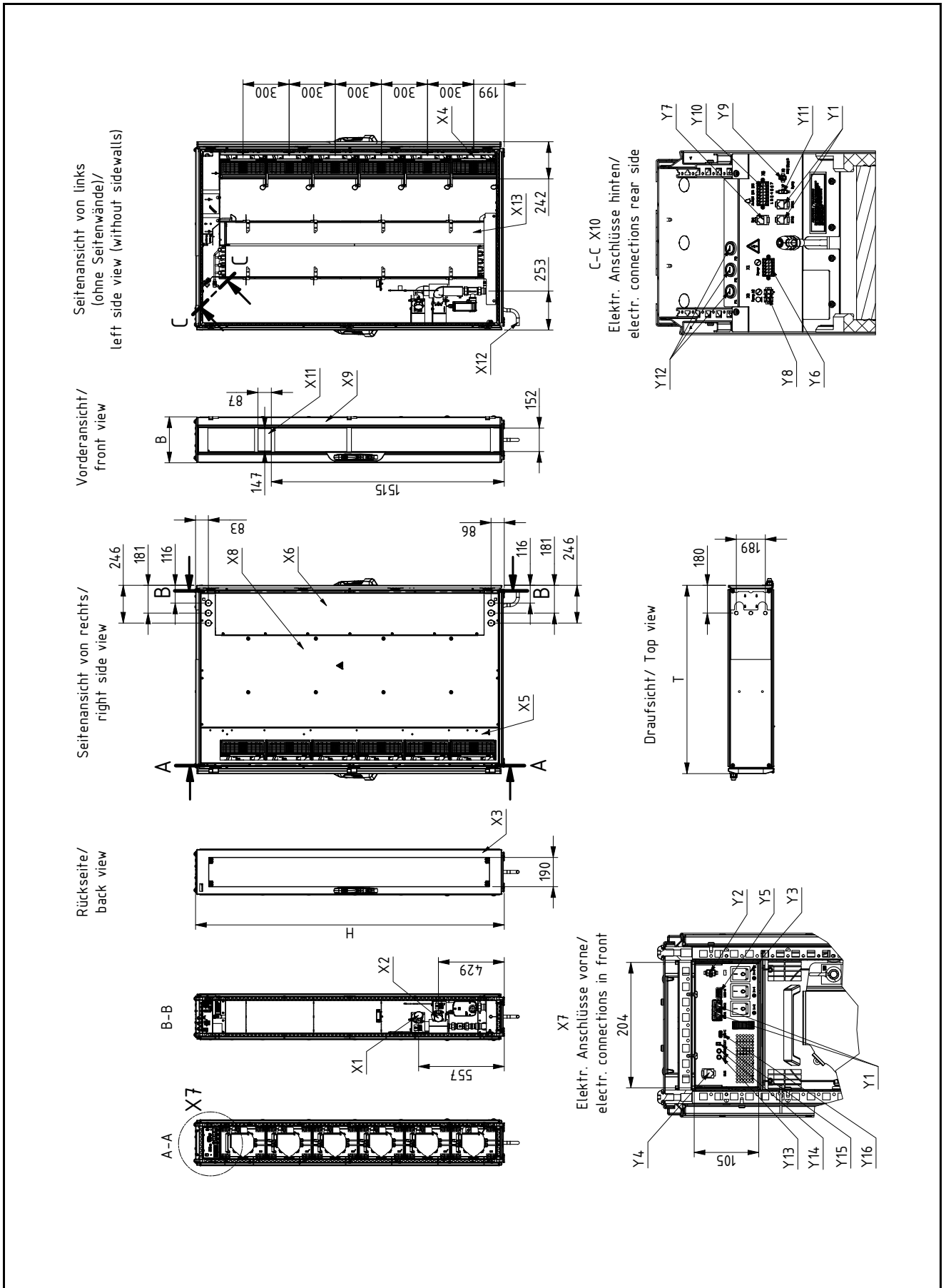


Fig. 152: Overview drawing of LCP Inline Protruding, 44 kW

## 16 Further technical information

---

### Key

Y1	Network connection 1/2	X1	Water return 1½"
Y2	Display connection	X2	Water inlet 1½"
Y3	Fan switch	X3	Perforated rear door
Y4	Bus connection	X4	Fan
Y5	USB-H connection	X5	Front side panel
Y6	Mains connection	X6	Rear side panel cover
Y7	Bus connection	X7	Front customer connection
Y8	Power supply – optional condensate pump (3312.012 and 3314.012)	X8	Rear side panel
Y9	Control line – optional condensate pump X3 (3312.012)	X9	Front door, embossed
Y10	Climate controller alarm connection	X10	Rear customer connection
Y11	Control line – optional condensate pump X7 (3314.012)	X11	Position of the display
Y12	Fuses F1, F2, F3	X12	Condensate drain
Y13	"SET" button climate controller	X13	Impact surface spray eliminator with dew point sensor
Y14	"Reset" button climate controller	T	Depth clearance without handles
Y15	Multi-LED	B	Overall width
Y16	USB-C connection	H	Overall height

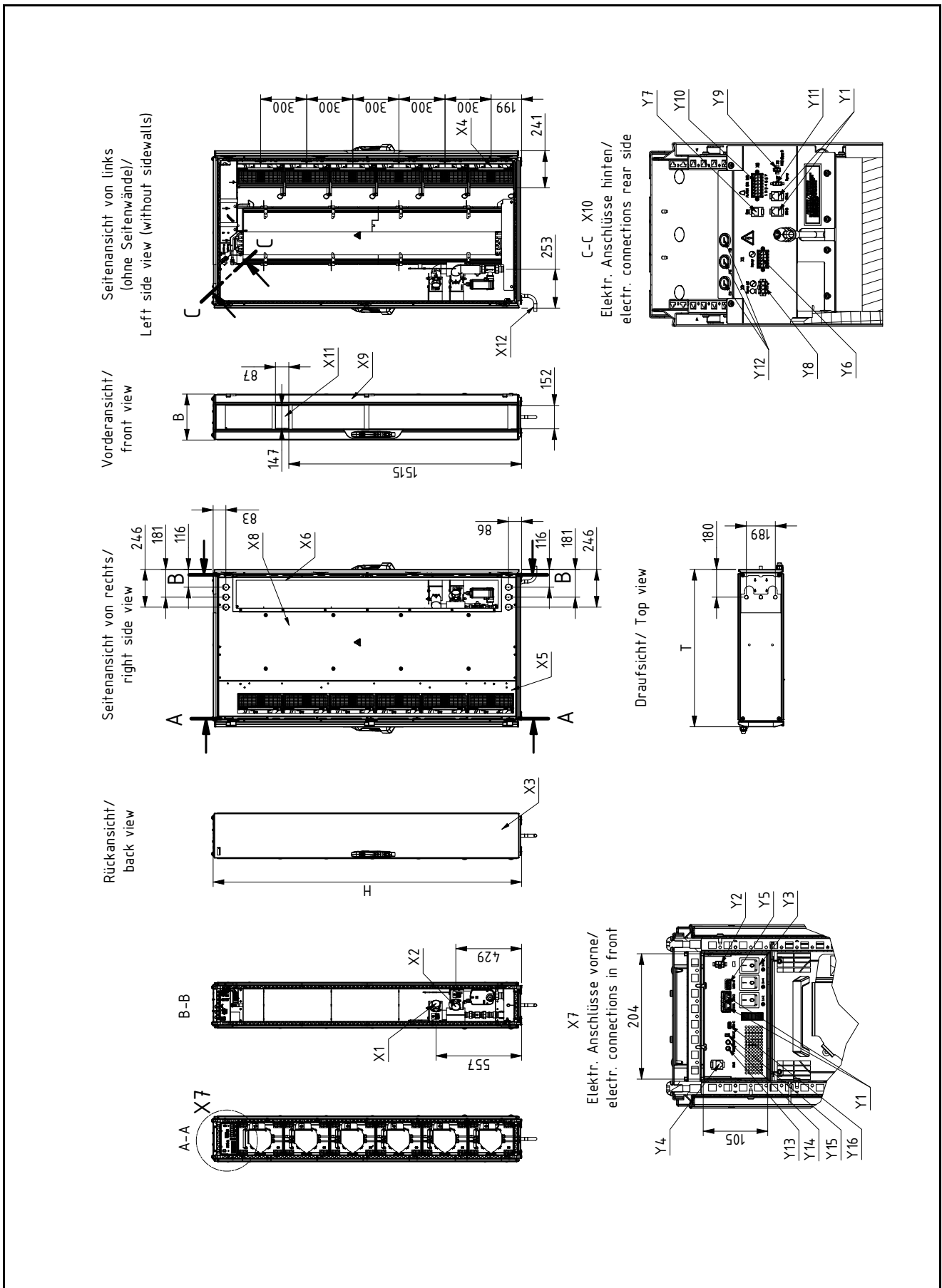


Fig. 153: Overview drawing of LCP Rack, 30 kW

## 16 Further technical information

---

### Key

Y1	Network connection 1/2	X1	Water return 1½"
Y2	Display connection	X2	Water inlet 1½"
Y3	Fan switch	X3	Rear door, embossed
Y4	Bus connection	X4	Fan
Y5	USB-H connection	X5	Front side panel
Y6	Mains connection	X6	Rear side panel cover
Y7	Bus connection	X7	Front customer connection
Y8	Power supply – optional condensate pump (3312.012 and 3314.012)	X8	Rear side panel
Y9	Control line – optional condensate pump X3 (3312.012)	X9	Front door, embossed
Y10	Climate controller alarm connection	X10	Rear customer connection
Y11	Control line – optional condensate pump X7 (3314.012)	X11	Position of the display
Y12	Fuses F1, F2, F3	X12	Condensate drain
Y13	"SET" button climate controller	T	Depth clearance without handles
Y14	"Reset" button climate controller	B	Overall width
Y15	Multi-LED	H	Overall height
Y16	USB-C connection		



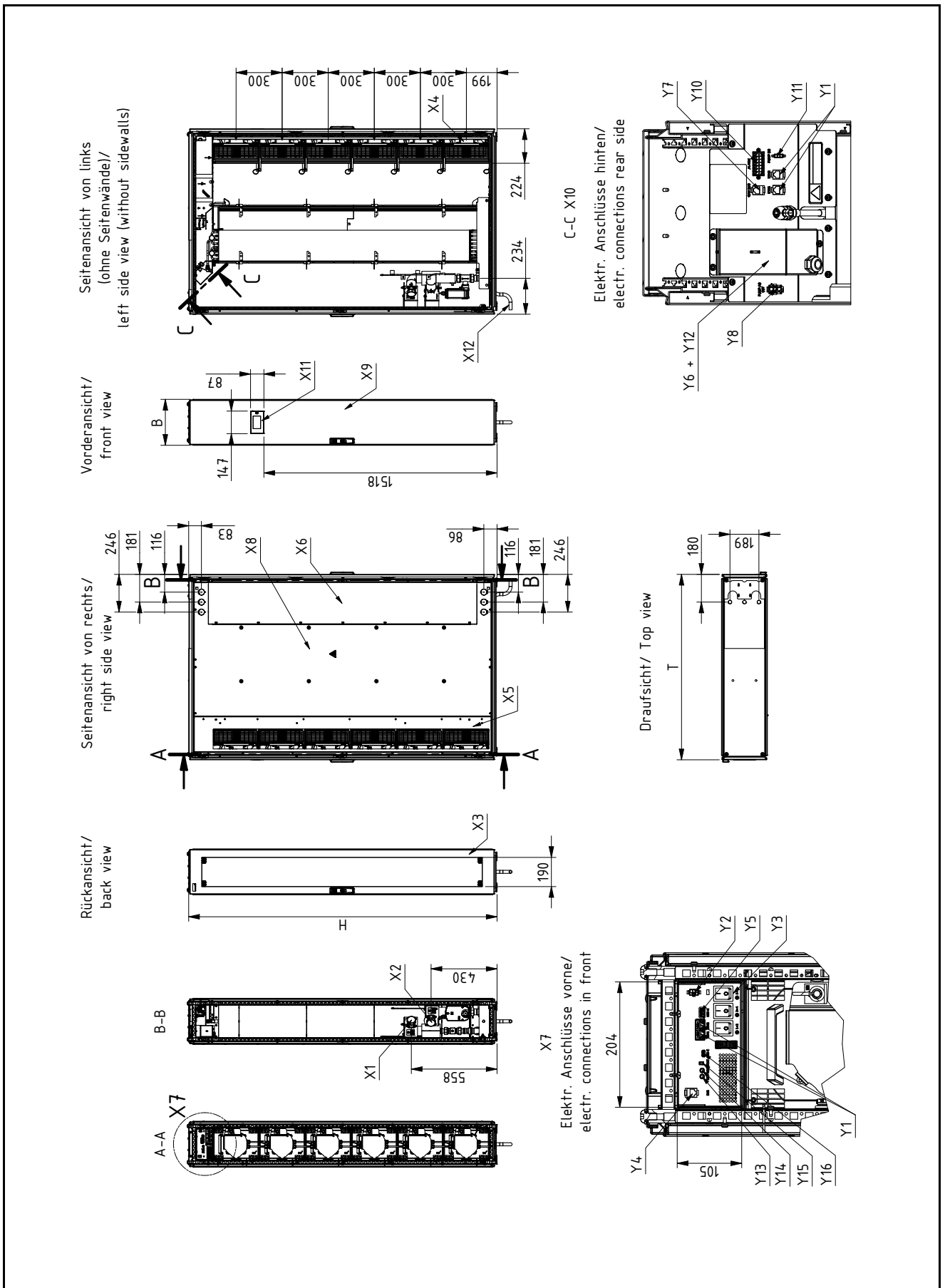


Fig. 154: Overview drawing of LCP Inline Protruding, 53 kW

## 16 Further technical information

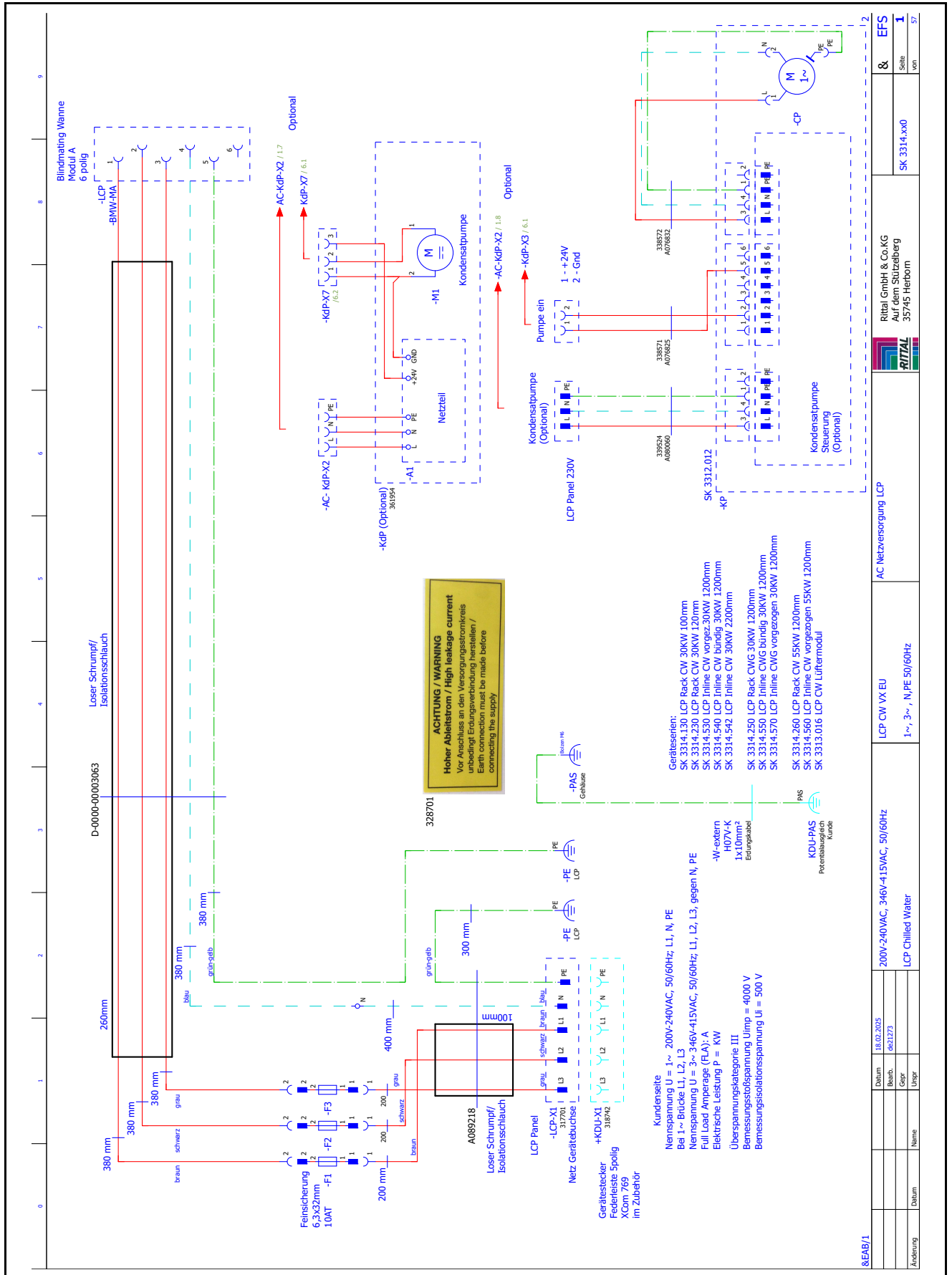
---

### Key

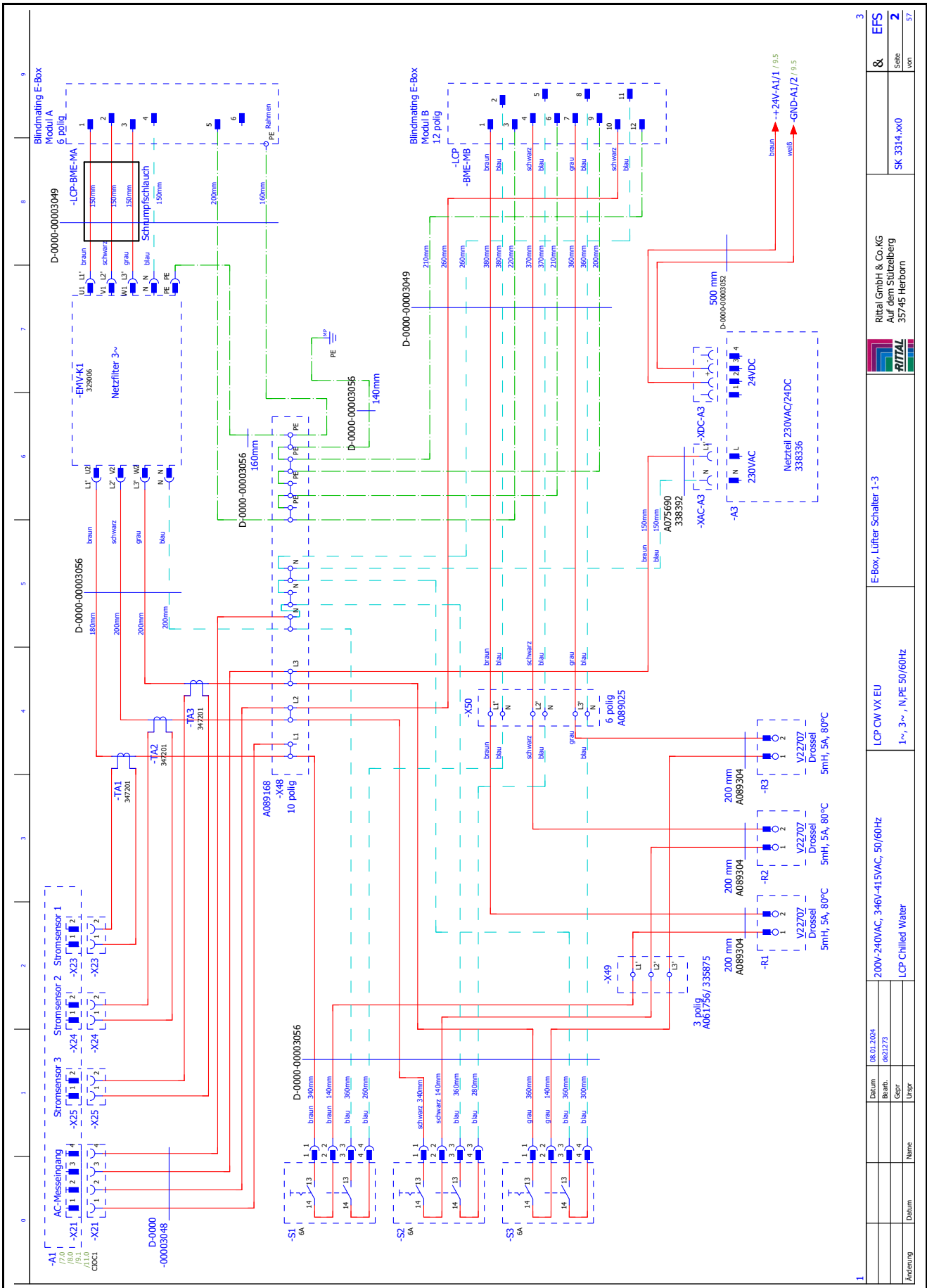
Y1	Network connection 1/2	X1	Water return 1½"
Y2	Display connection	X2	Water inlet 1½"
Y3	Fan switch	X3	Perforated rear door
Y4	Bus connection	X4	Fan
Y5	USB-H connection	X5	Front side panel
Y6	Mains connection	X6	Rear side panel cover
Y7	Bus connection	X7	Front customer connection
Y8	Power supply – optional condensate pump (3312.012 and 3314.012)	X8	Rear side panel
Y10	Climate controller alarm connection	X9	Front door, embossed
Y11	Control line – optional condensate pump X7 (3312.012 and 3314.012)	X10	Rear customer connection
Y12	Fuses F1, F2	X11	Position of the display
Y13	"SET" button climate controller	X12	Condensate drain
Y14	"Reset" button climate controller	T	Depth clearance without handles
Y15	Multi-LED	B	Overall width
Y16	USB-C connection	H	Overall height

16.4 Circuit diagram

16.4.1 Global version



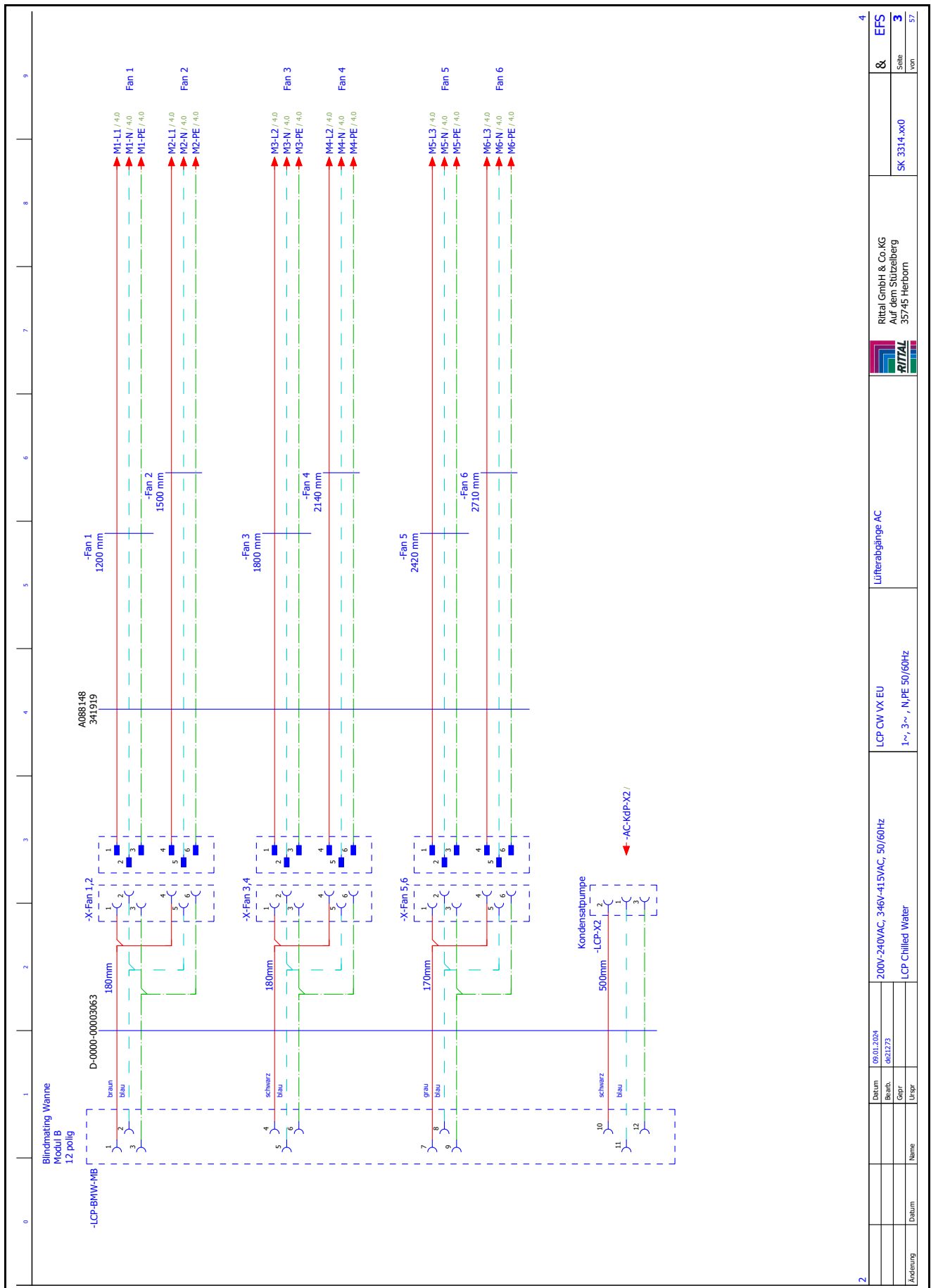
# 16 Further technical information



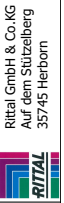
3

Datum 08.01.2024	LCP CW Vx EU		E-Box, Lüfter Schalter 1-3	Rittal GmbH & Co.KG Auf dem Stützelberg 35745 Herborn	&
Bearb. 4821273	200V-240VAC, 346V-415VAC, 50/60Hz		LCP Chilled Water	Auf dem Stützelberg 35745 Herborn	2
Gepr.	1~ , 3~ , N/PE 50/60Hz				SK 3314.xx0
Uzpr.					Seite von
Änderung					57

# 16 Further technical information



4  
& EFS  
Seite 3  
von 37



Rittal GmbH & Co.KG  
Auf dem Stützelberg  
35745 Herborn

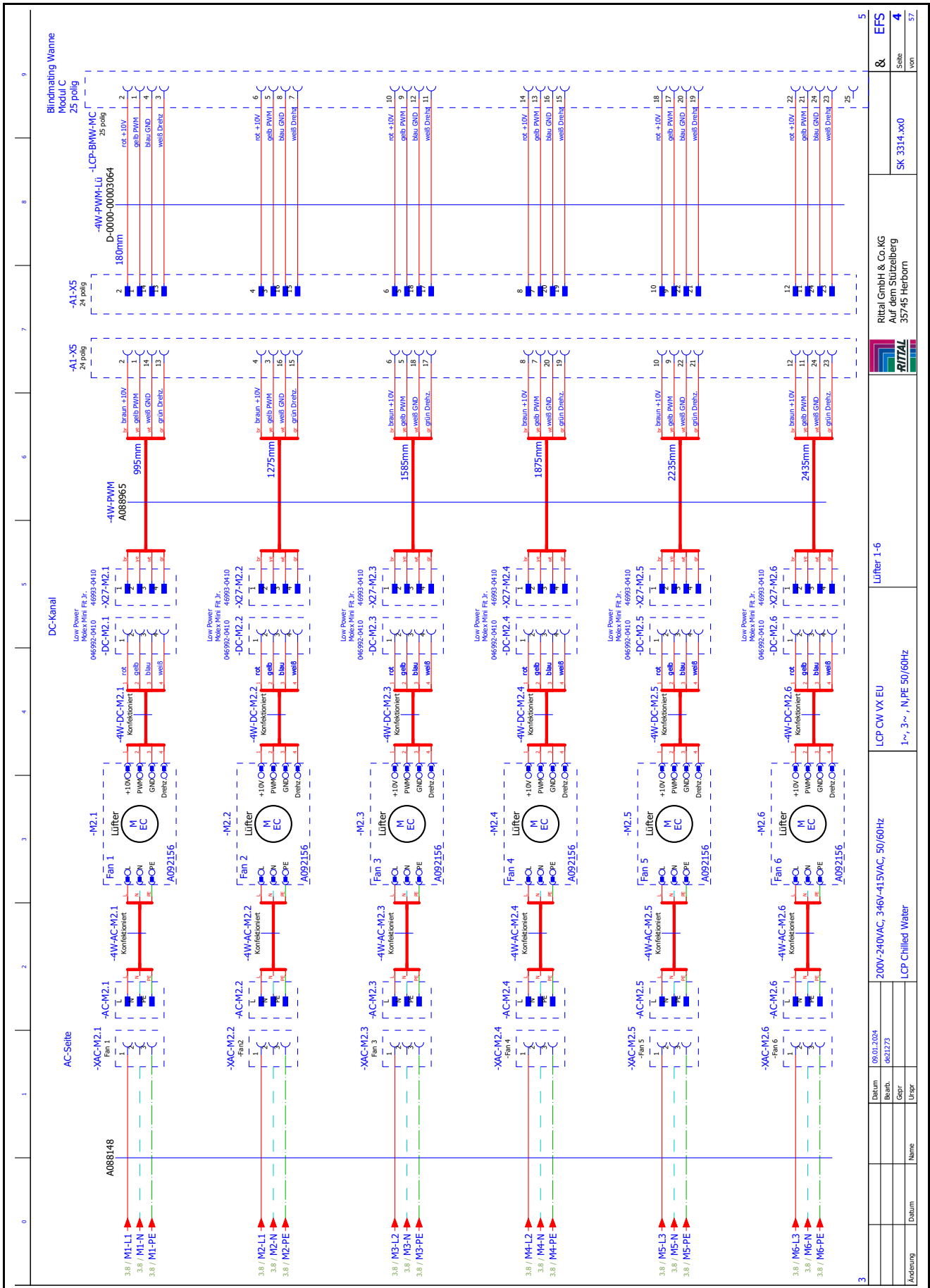
Lufteinbauterminale AC

LCP CW VX EU  
1~-, 3~-, N, PE 50/60Hz

200V-240VAC, 348V-415VAC, 50/60Hz  
LCP Chilled Water

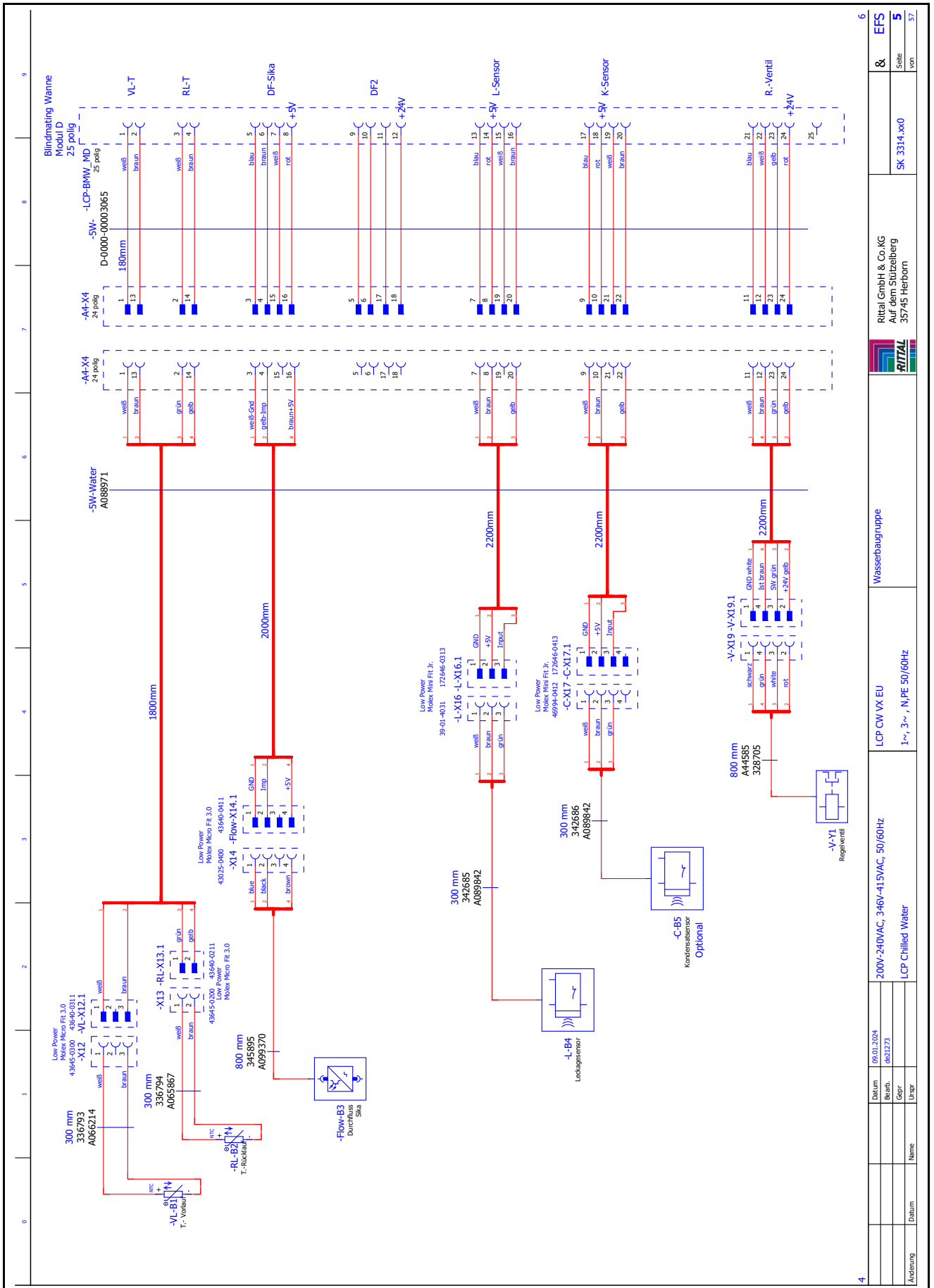
Änderung	Datum	Name	Urspr
	09.01.2024		
	Bearb.	4821273	

# 16 Further technical information



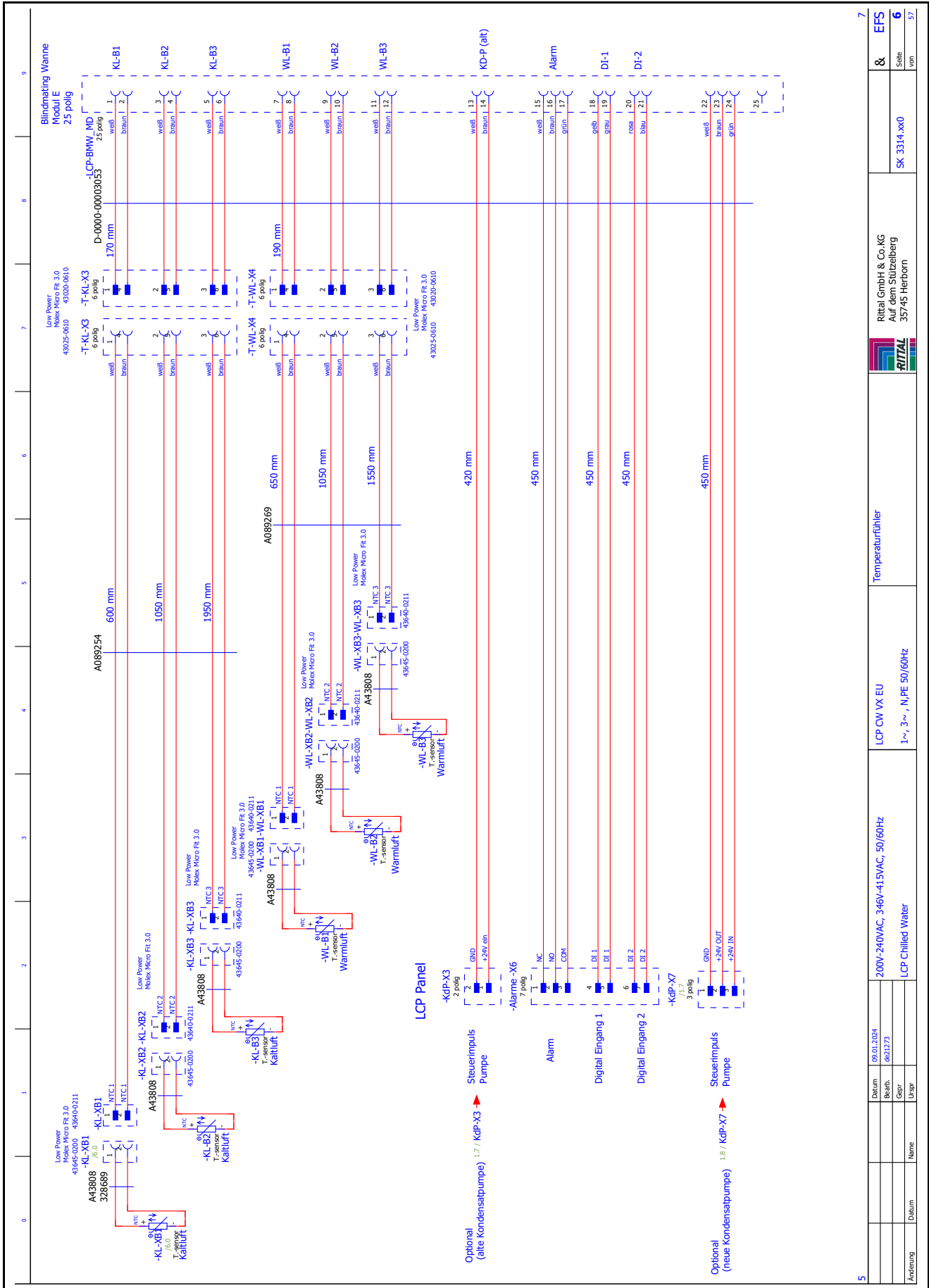
Änderung	Datum	Name	Uzgr	Gepr.	Bearb.	09.01.2024 6821273	200V-240VAC, 346V~415VAC, 50/60Hz	LCP CW Vx EU	Lüfter 1-6	Rittal GmbH & Co.KG Auf dem Stützelberg 35745 Herborn	SK 3314.xx0	&	4
							1~3~, N/PE 50/60Hz	LCP CW Vx EU					5
													7
													8
													9

# 16 Further technical information



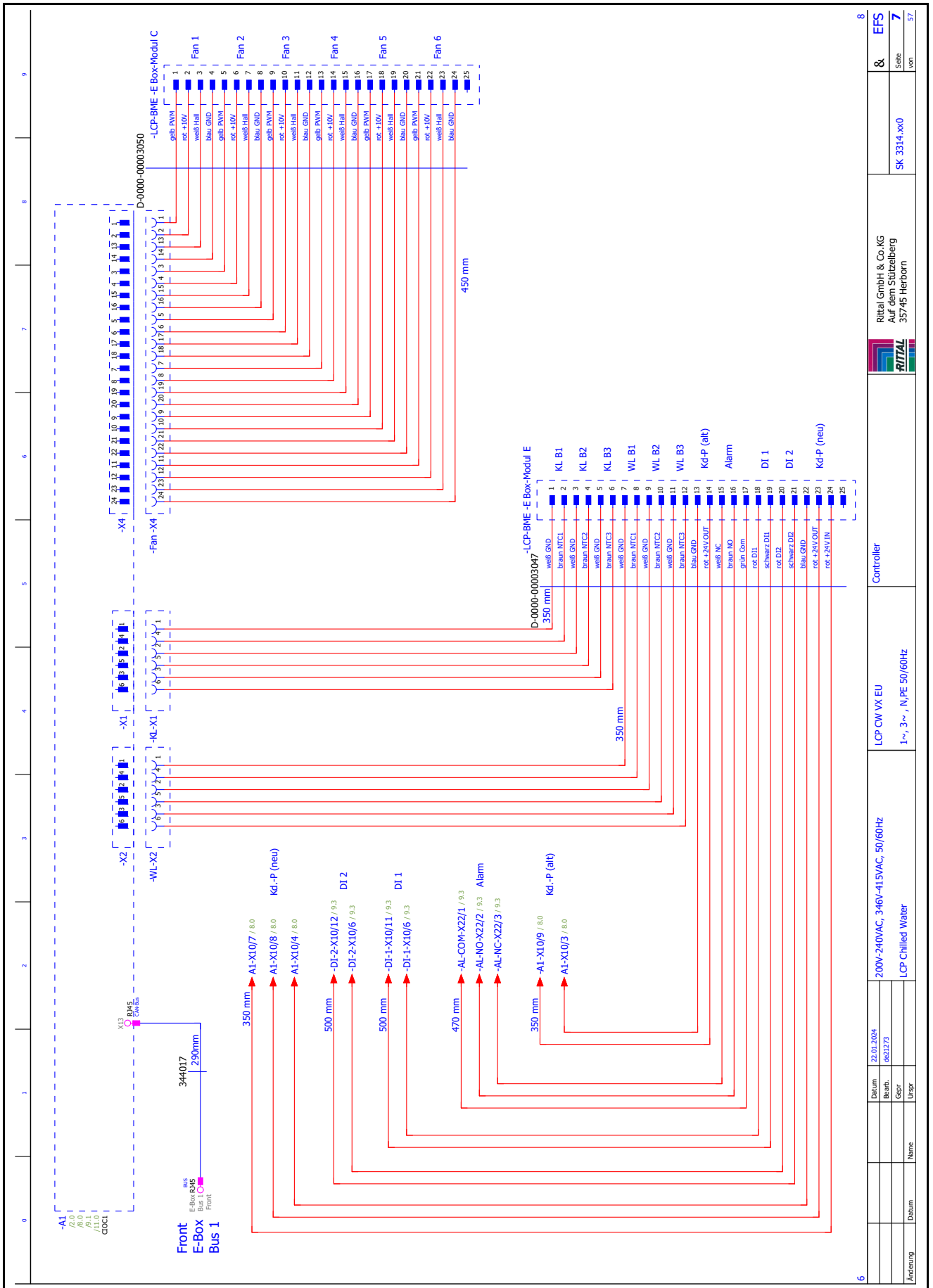
4		6	
Datum	09.01.2024	Rittal GmbH & Co.KG	
Bearb.	4821273	Auf dem Stützelberg	
Gepr.		35745 Herborn	
Urspr.		Wasserbaugruppe	
200V-240VAC, 346V-415VAC, 50/60Hz		LCP CW VX EU	
LCP Chilled Water		1~3, 3~ , N-PE 50/60Hz	
		SK 3314.xx0	
		Seite	
		von	
		5	
		37	

# 16 Further technical information

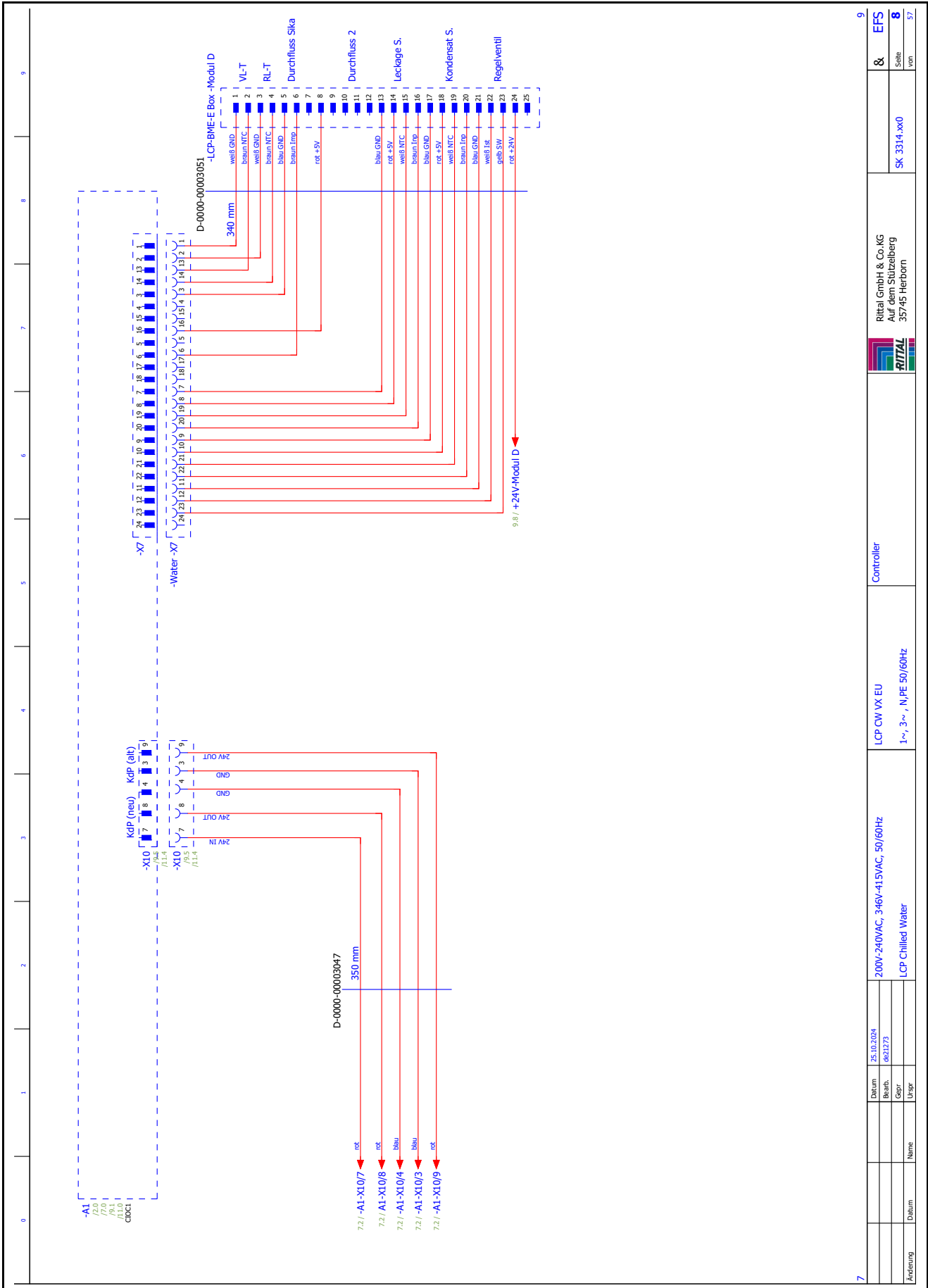


5		200V-240VAC, 346V-415VAC, 50/60Hz		LCP CW Vx EU		Temperaturfühler		Rittal GmbH & Co.KG Auf dem Stülzberg 35745 Herborn		7	
Datum: 09.01.2024		200V-240VAC, 346V-415VAC, 50/60Hz		LCP CW Vx EU		Temperaturfühler		Rittal GmbH & Co.KG Auf dem Stülzberg 35745 Herborn		7	
Bearb.: 4821273		LCP Chilled Water		1~ , 3~ , N/PE 50/60Hz				SK 3314..x0		6	
Gepr.:										Seite	
Uzpr.:										von	
Änderung		Datum		Name		Uzpr.				57	





# 16 Further technical information



9

**&**

SK 3314.xx0

Seite **8**  
von **57**

Rittal GmbH & Co.KG  
Auf dem Stützelberg  
35745 Herborn



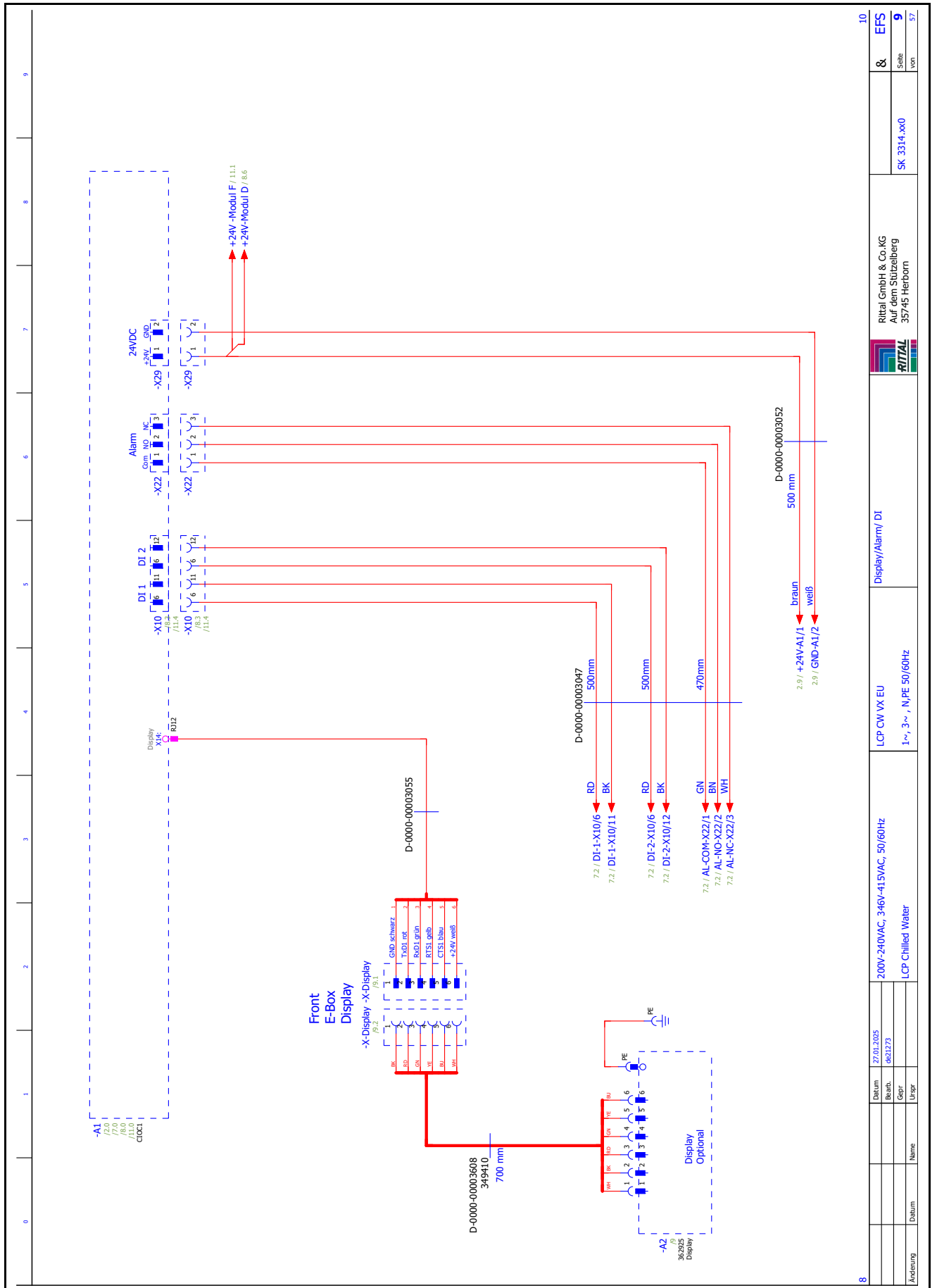
Controller

LCP CW VX EU  
1~ , 3~ , N/PE 50/60Hz

200V-240VAC, 346V-415VAC, 50/60Hz  
LCP Chilled Water

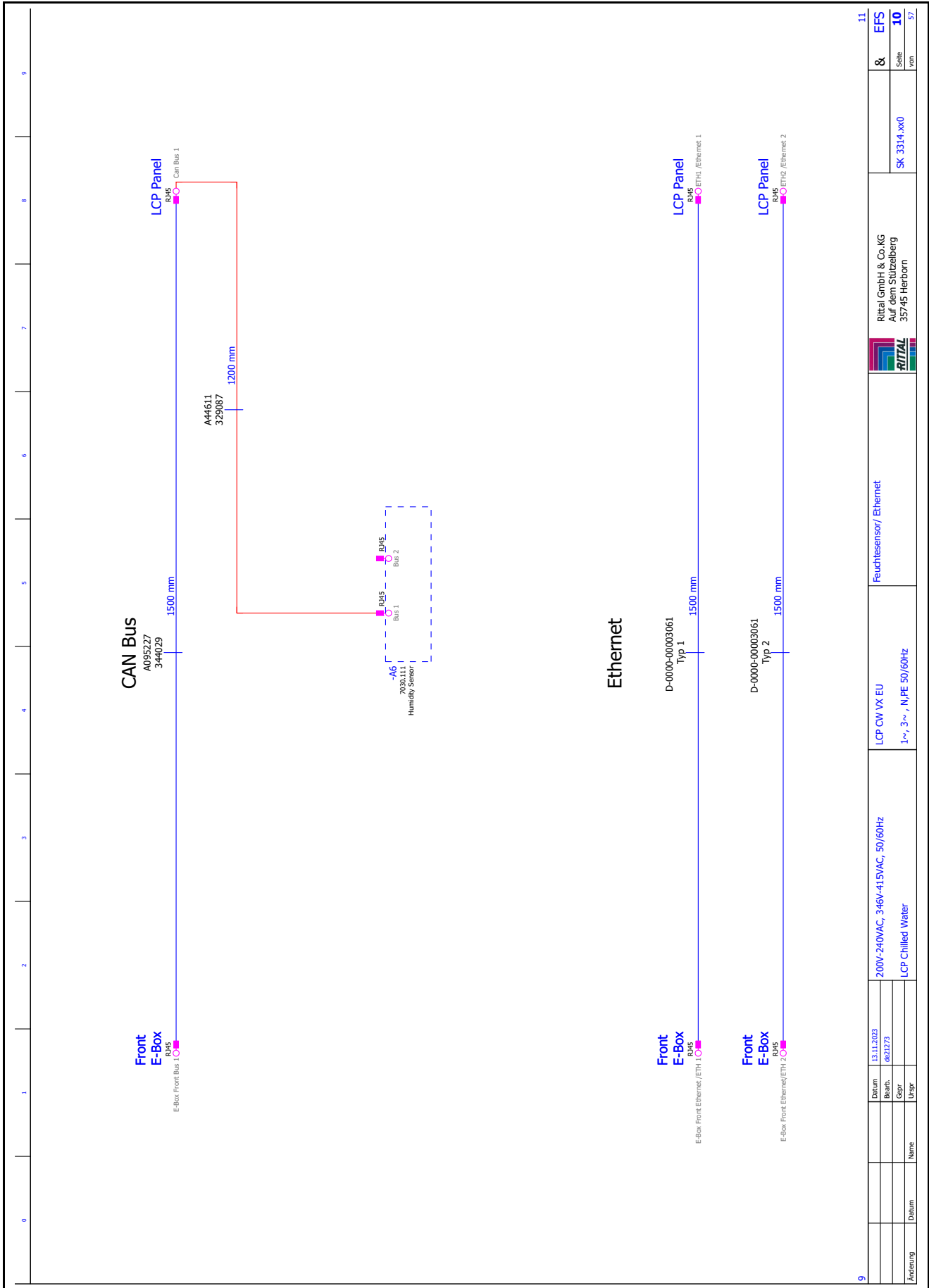
Datum: 25.10.2024  
Bearb.: 4821273

Änderung	Datum	Name

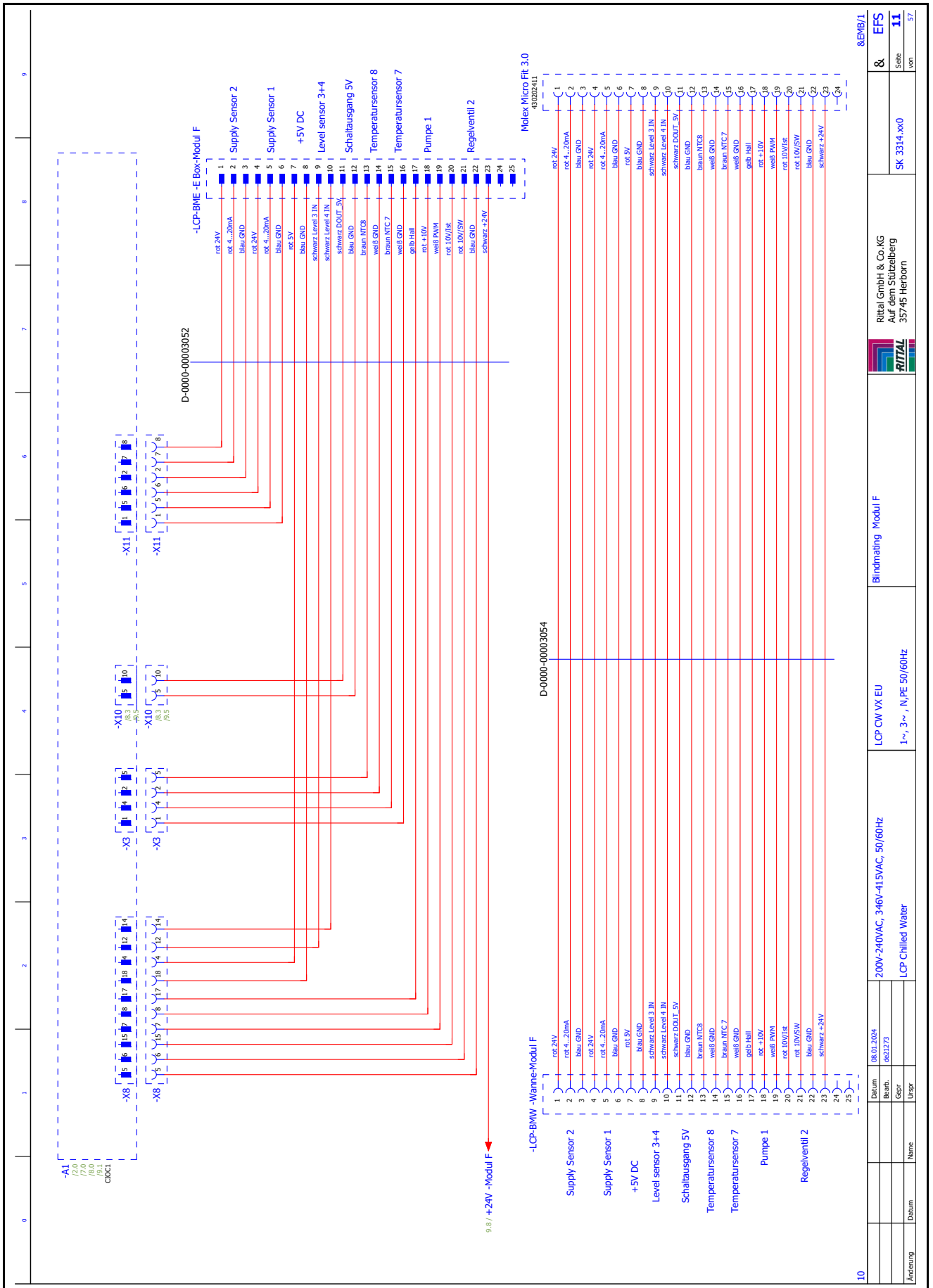


Datei		27.01.2025	200V-240VAC, 346V-415VAC, 50/60Hz	LCP CW YX EU	Display/Alarm/DI	Rittal GmbH & Co.KG	10
Bearb.		621273	LCP Chilled Water	1~, 3~, N-PE 50/60Hz		Aur dem Stutzelberg	9
Gepr.						35745 Herborn	von
Umriss							37
Anwendung	Datum			Name		SK 3314.xx0	Seite
							von

# 16 Further technical information



9		11	
Datum	13.11.2023	 Rittal GmbH & Co.KG Auf dem Stützelberg 35745 Herborn	& EFS
Bearb.	4021273		Seite <b>10</b>
Gepr.			von SK 3314.xx0
Uzpr.			57
Feuchtesensor/ Ethernet LCP CW VX EU 1~ , 3~ , N/PE 50/60Hz		200V-240VAC, 346V-415VAC, 50/60Hz LCP Chilled Water	



10

08.01.2024  
Bearb. 4821273  
Gepr. Urgr.

Blindmating Modul F  
LCP CW Vx EU  
1~ , 3~ , N-PE 50/60Hz

200V-240VAC, 346V-415VAC, 50/60Hz  
LCP Chilled Water

Rittal GmbH & Co.KG  
Aur dem Stützelberg  
35745 Herborn

SK 3314.xx0

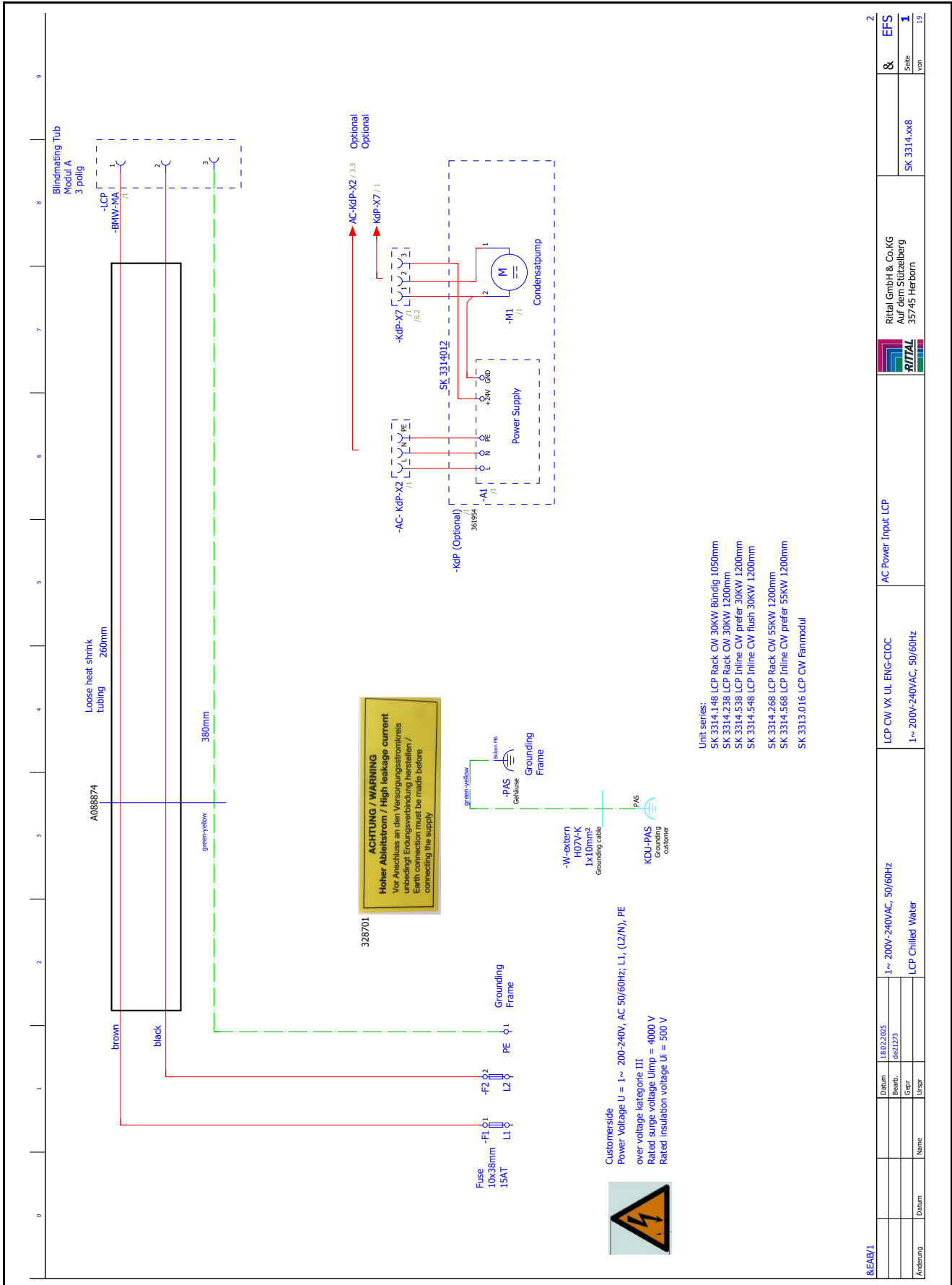
Seite 11  
von 57

& EFS

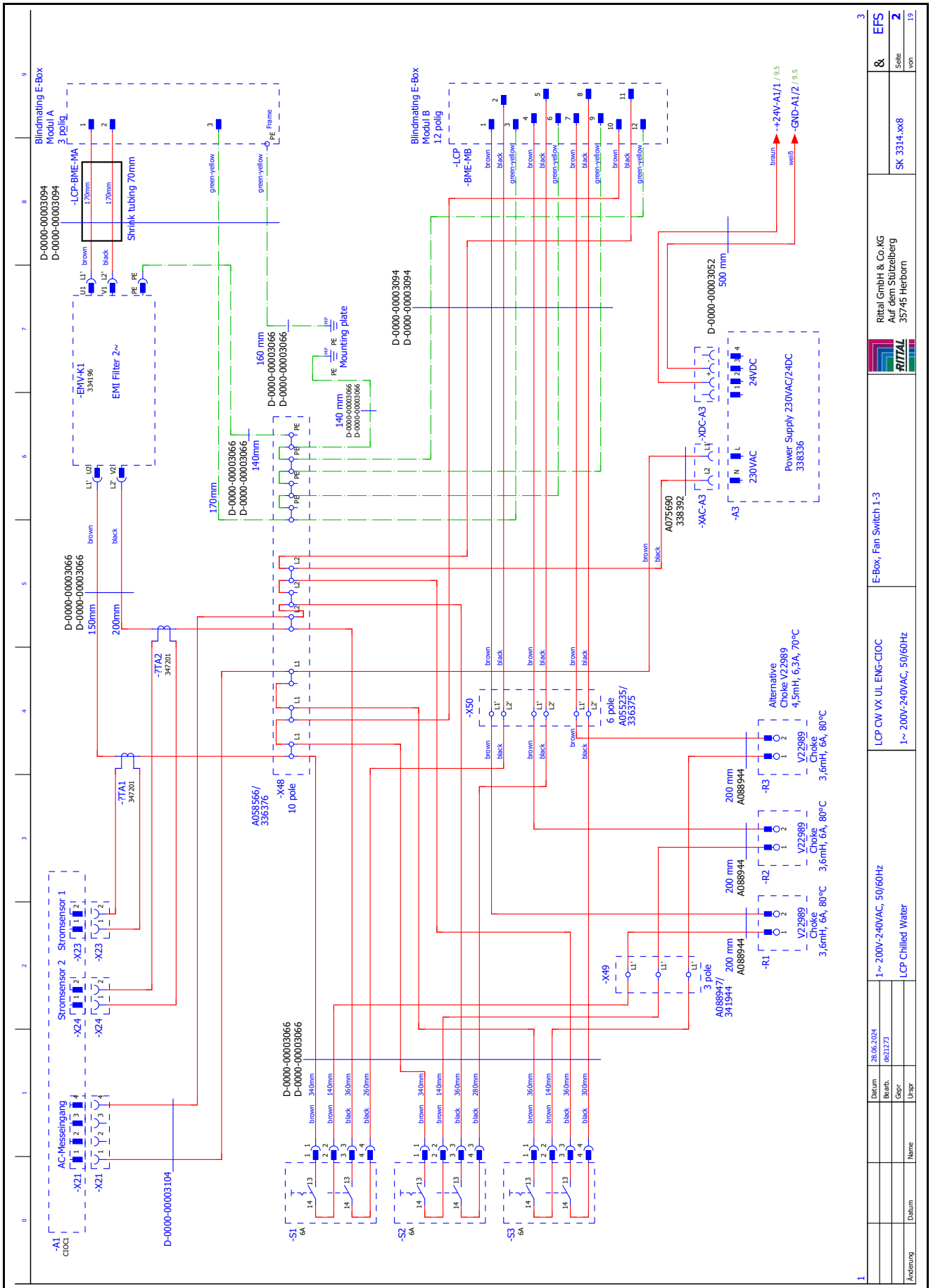
11

# 16 Further technical information

## 16.4.2 NSA version



# 16 Further technical information



3  
 &  
 EFS  
 Seite 2  
 von 19

Rittal GmbH & Co.KG  
 Aur dem Stuzelberg  
 35745 Herborn

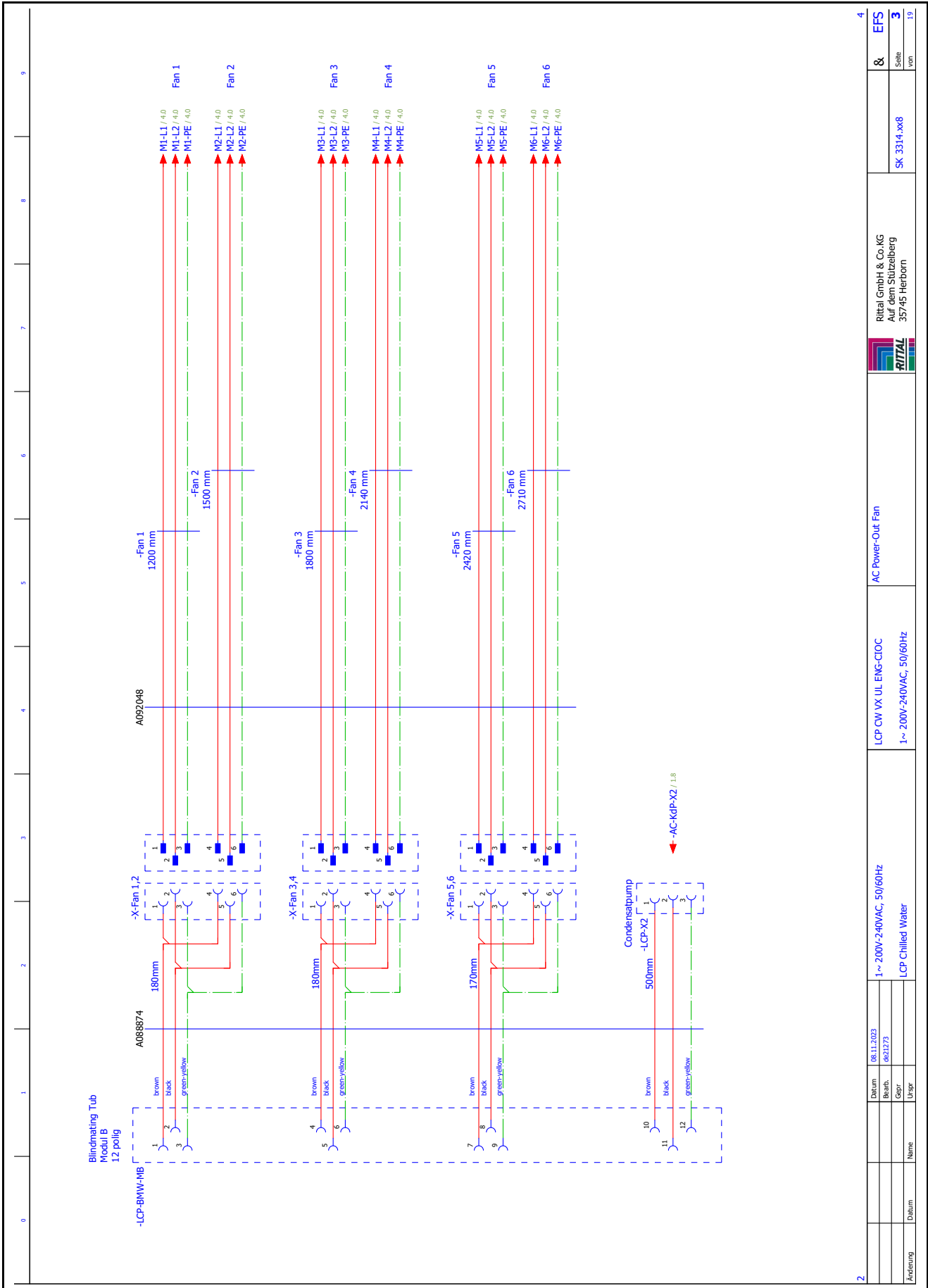
E-Box, Fan Switch 1-3

LCP CW Vx UL ENG-CIOC  
 1~ 200V-240VAC, 50/60Hz

LCP Chilled Water  
 1~ 200V-240VAC, 50/60Hz

Änderung	Datum	Name	Urspr
	28.06.2024		
	02.12.23		

# 16 Further technical information

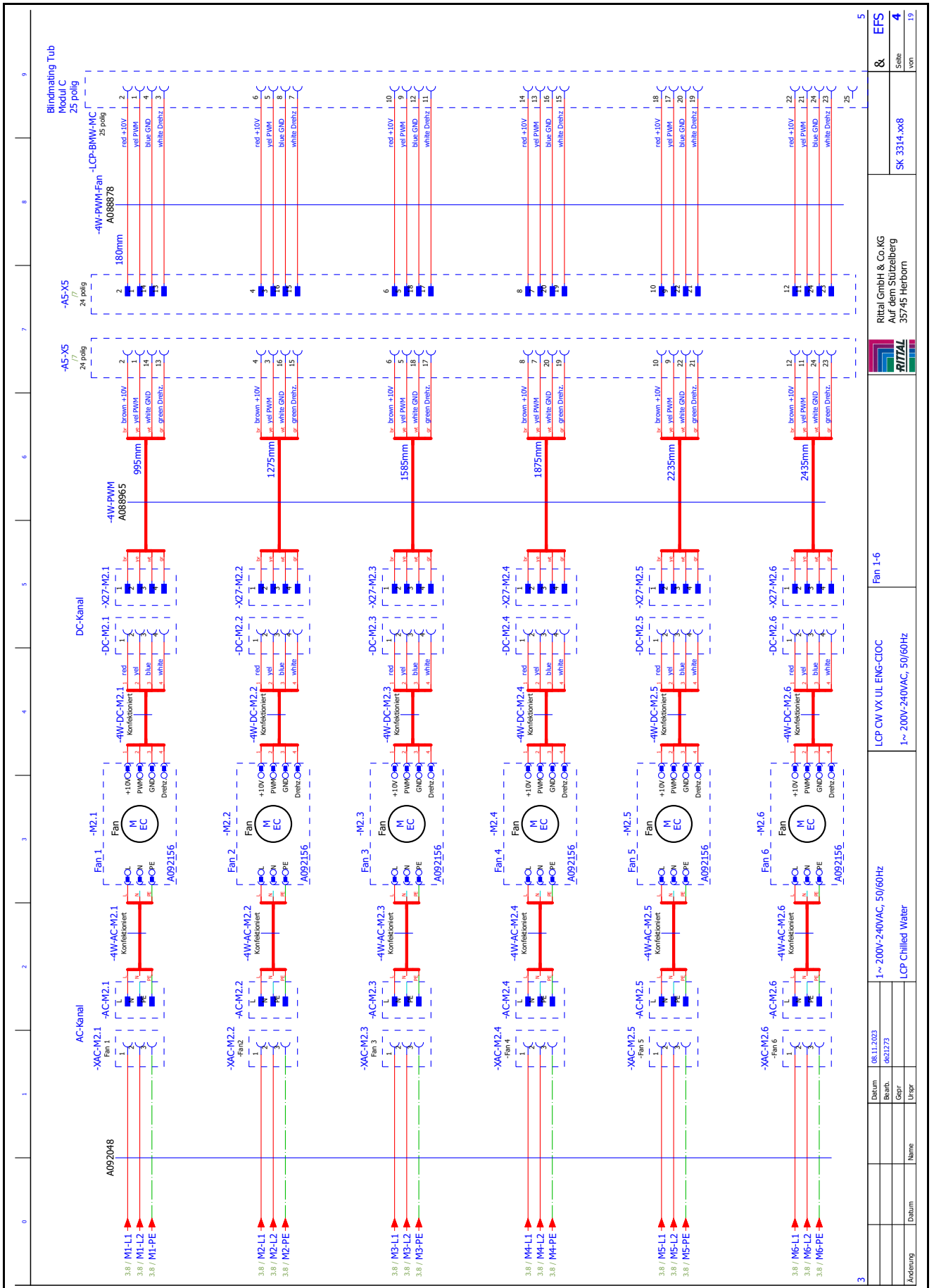


Änderung	Datum	Name

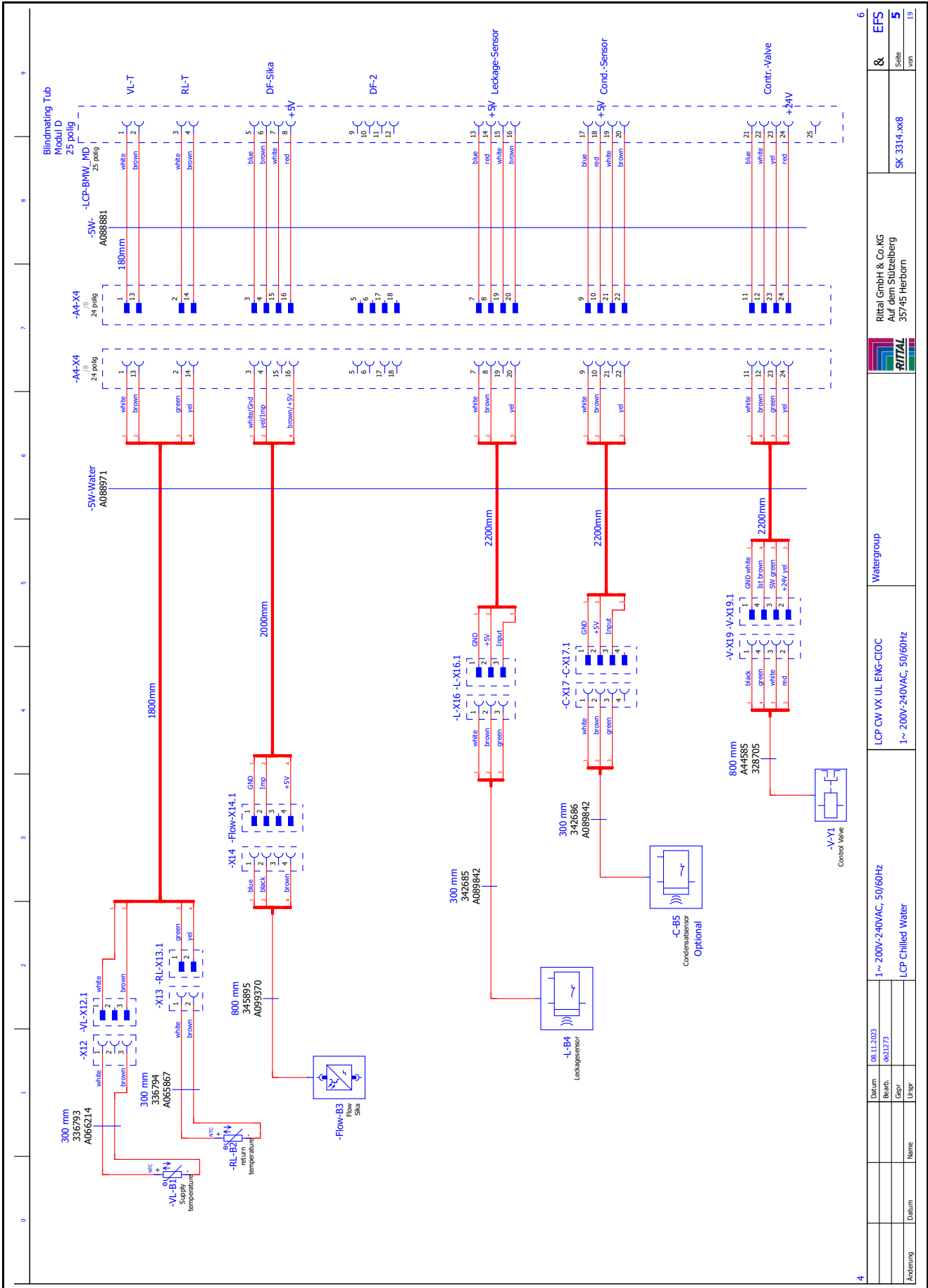
Datum	Bearb.	Gepr.	Uzgr.



# 16 Further technical information

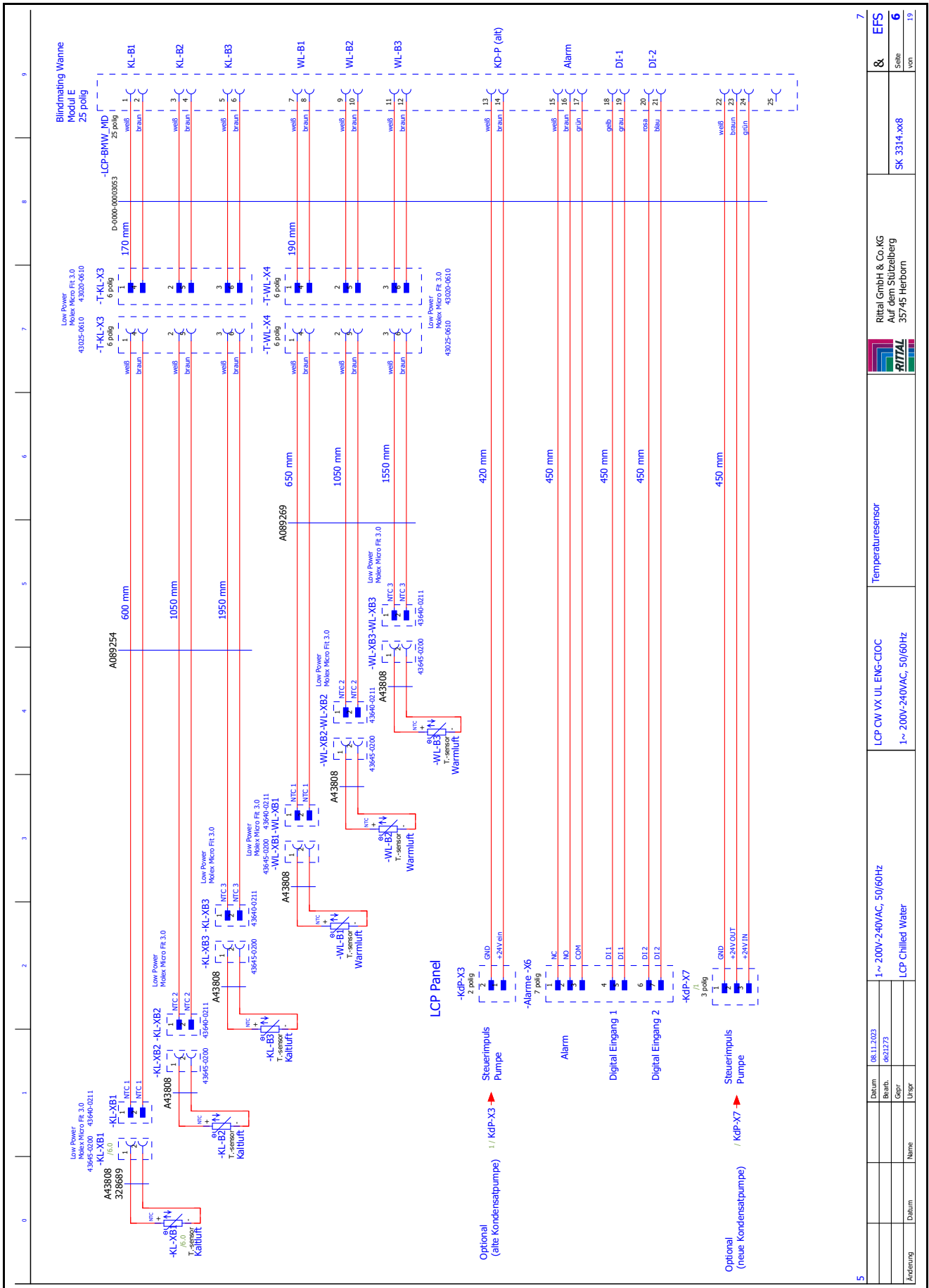


# 16 Further technical information



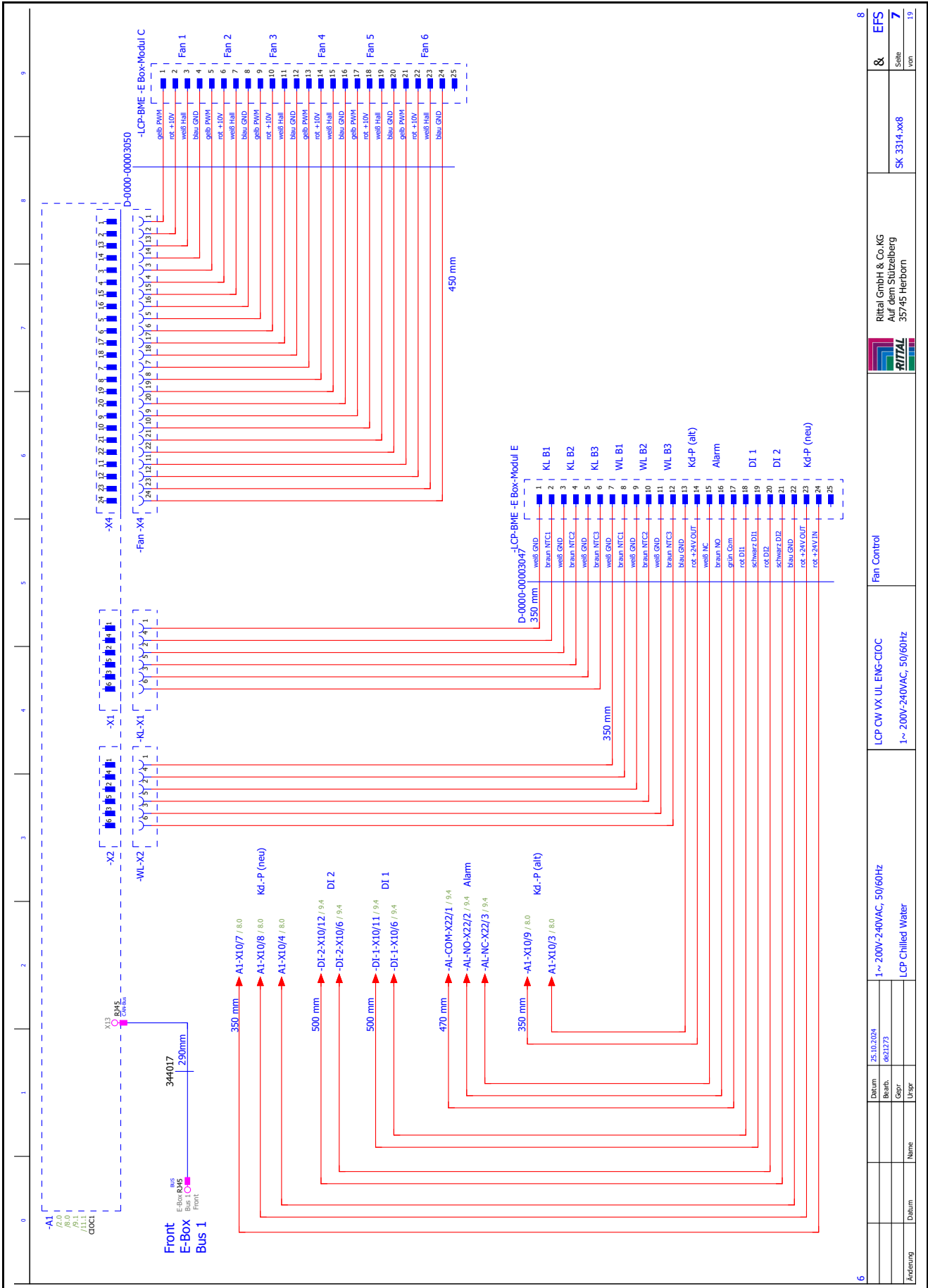
4

				Rittal GmbH & Co.KG Auf dem Stützelberg 35745 Herborn				& EFS SK 3314.xx8	
Watergroup				LCP CW VX UL ENG-CIOC 1~ 200V-240VAC, 50/60Hz				6	
1~ 200V-240VAC, 50/60Hz LCP Chilled Water				Datum: 08.11.2023 Bearb.: 4821273				Seite: 5 von: 19	
Änderung		Datum		Name		Usg		19	

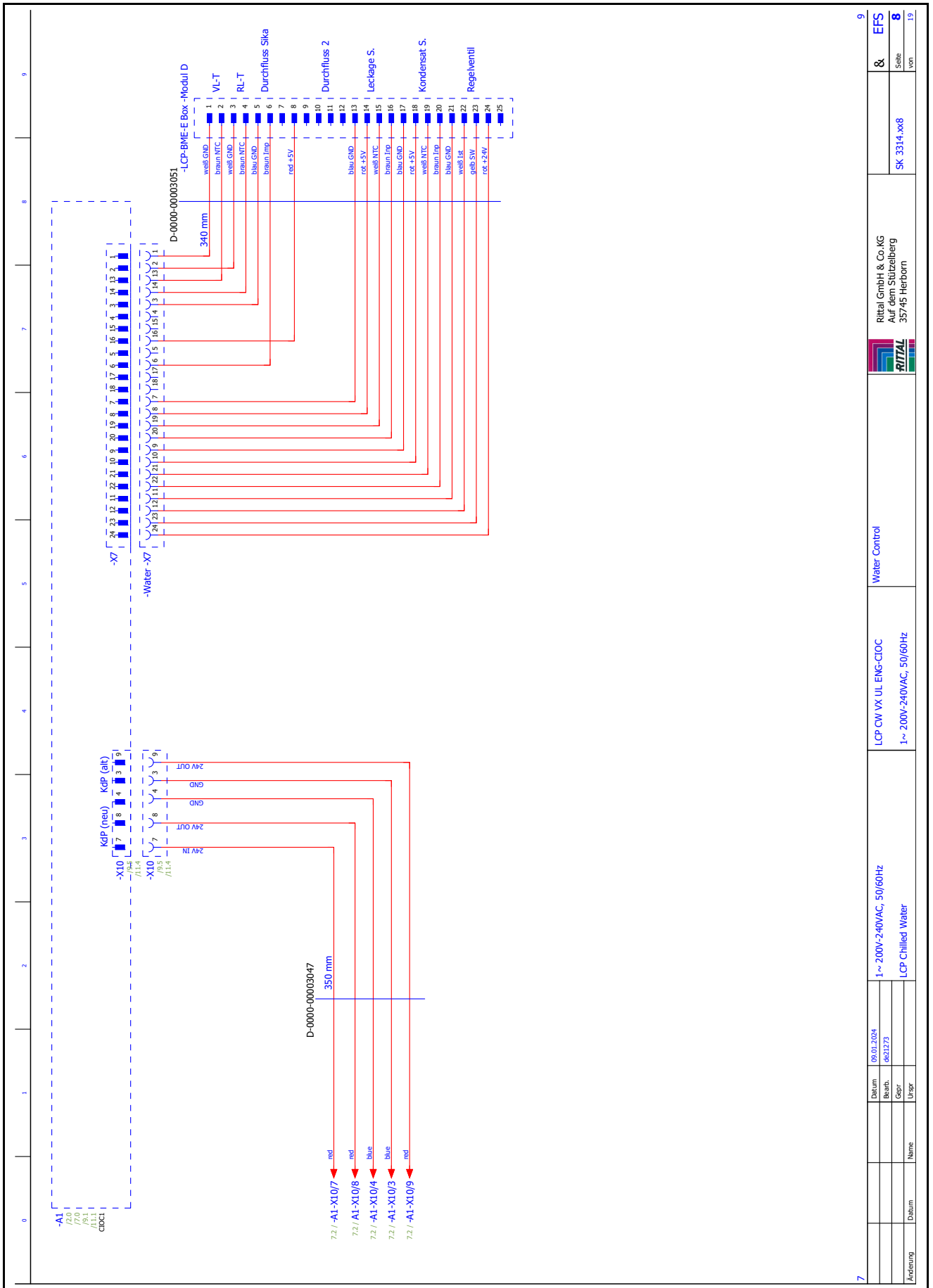


5		7		8		9	
Datum	08.11.2023	Rittal GmbH & Co.KG		Temperatursensor		LCP CW VX UI ENG-CIOC	
Bearb.	4821273	Auf dem Stützelberg		1~ 200V-240VAC, 50/60Hz		1~ 200V-240VAC, 50/60Hz	
Gepr.		35745 Herborn		LCP Chilled Water		LCP Chilled Water	
Urspr.		SK 3314.xx8		Temperatursensor		Temperatursensor	
Änderung	Datum	Name	Seite		von		19
			6		6		19

# 16 Further technical information

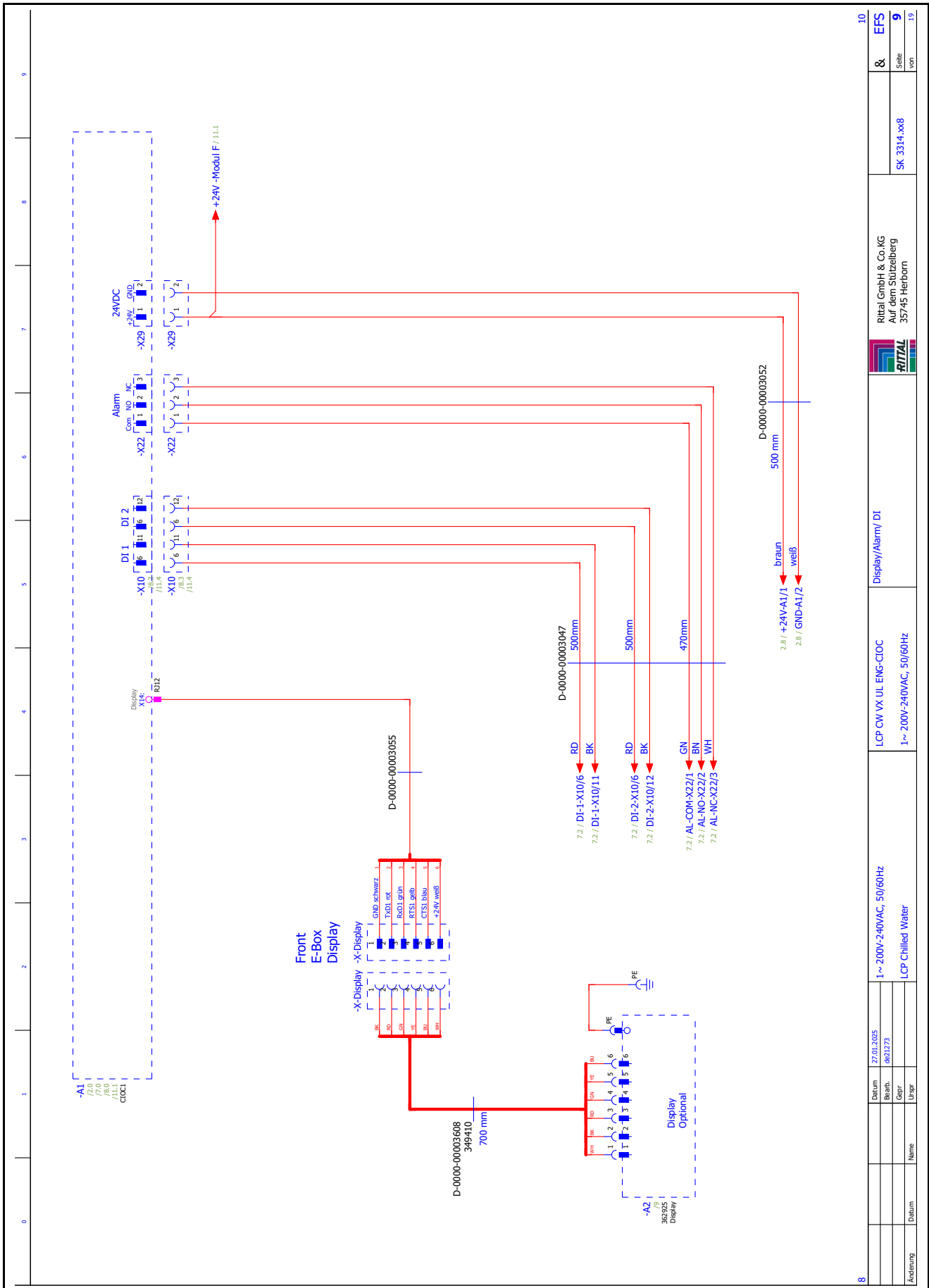


Datum: 25.10.2024		Rittal GmbH & Co.KG		8	
Bearb.: 4821273		Auf dem Stützelberg		7	
Gepr.:		35745 Herborn		Seite	
Uzpr.:		SK 3314.xx8		von	
Änderung		Fan Control		19	
Datum		LCP CW Vx UL ENG-CIOC		7	
Name		1~ 200V-240VAC, 50/60Hz		von	
LCP Chilled Water				19	



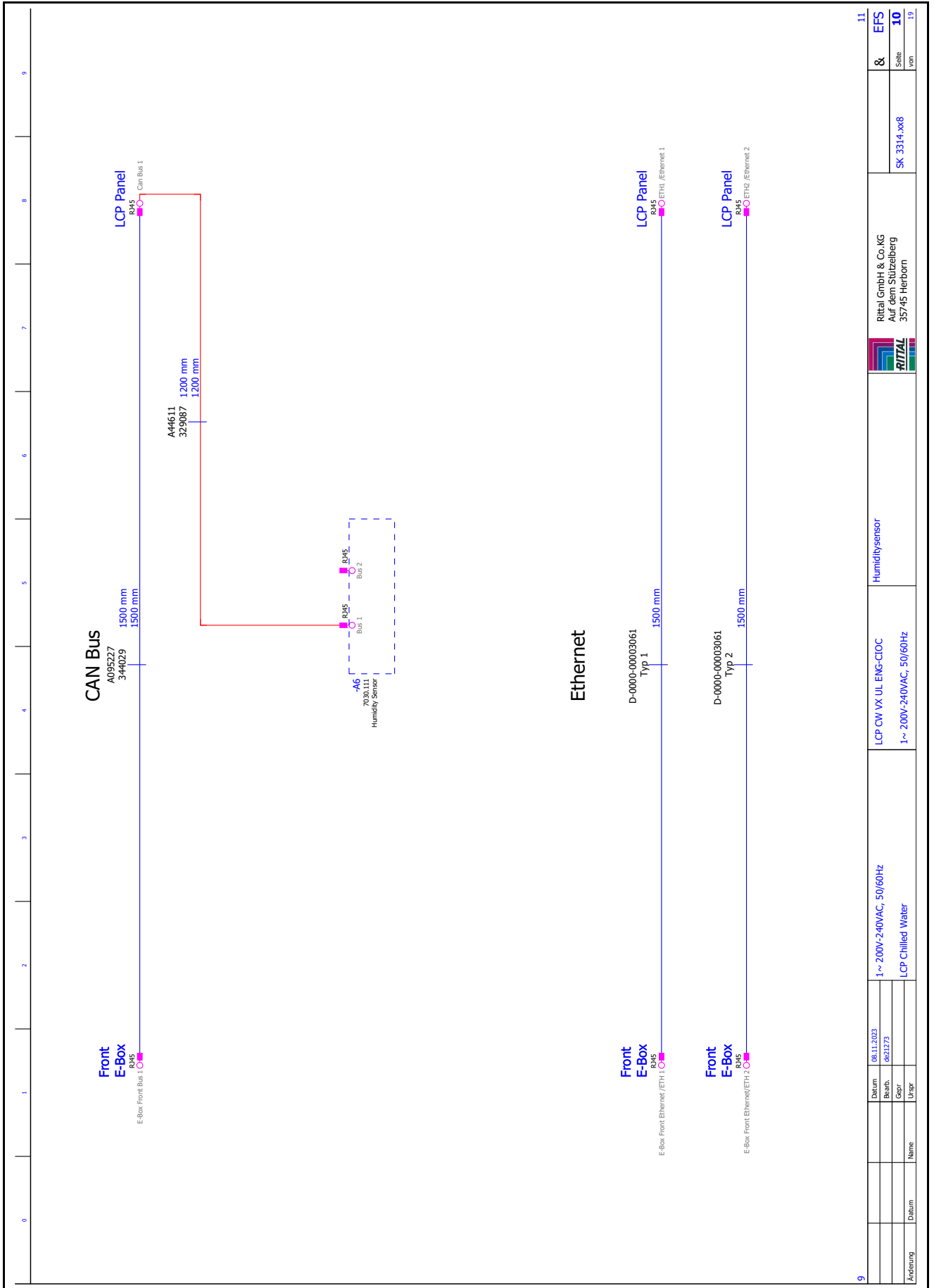
Date: 09.01.2024		LCP CW VX UL ENG-CIOC		Water Control		Rittal GmbH & Co.KG Aur dem Stützelberg 35745 Herborn		SK 3314.xx8		EFS	
Drawn: 4821273		1~ 200V-240VAC, 50/60Hz		LCP Chilled Water		RITTAL		Seite 8		von 19	
Checked:		LCP Chilled Water						von			
Author:								von			

# 16 Further technical information

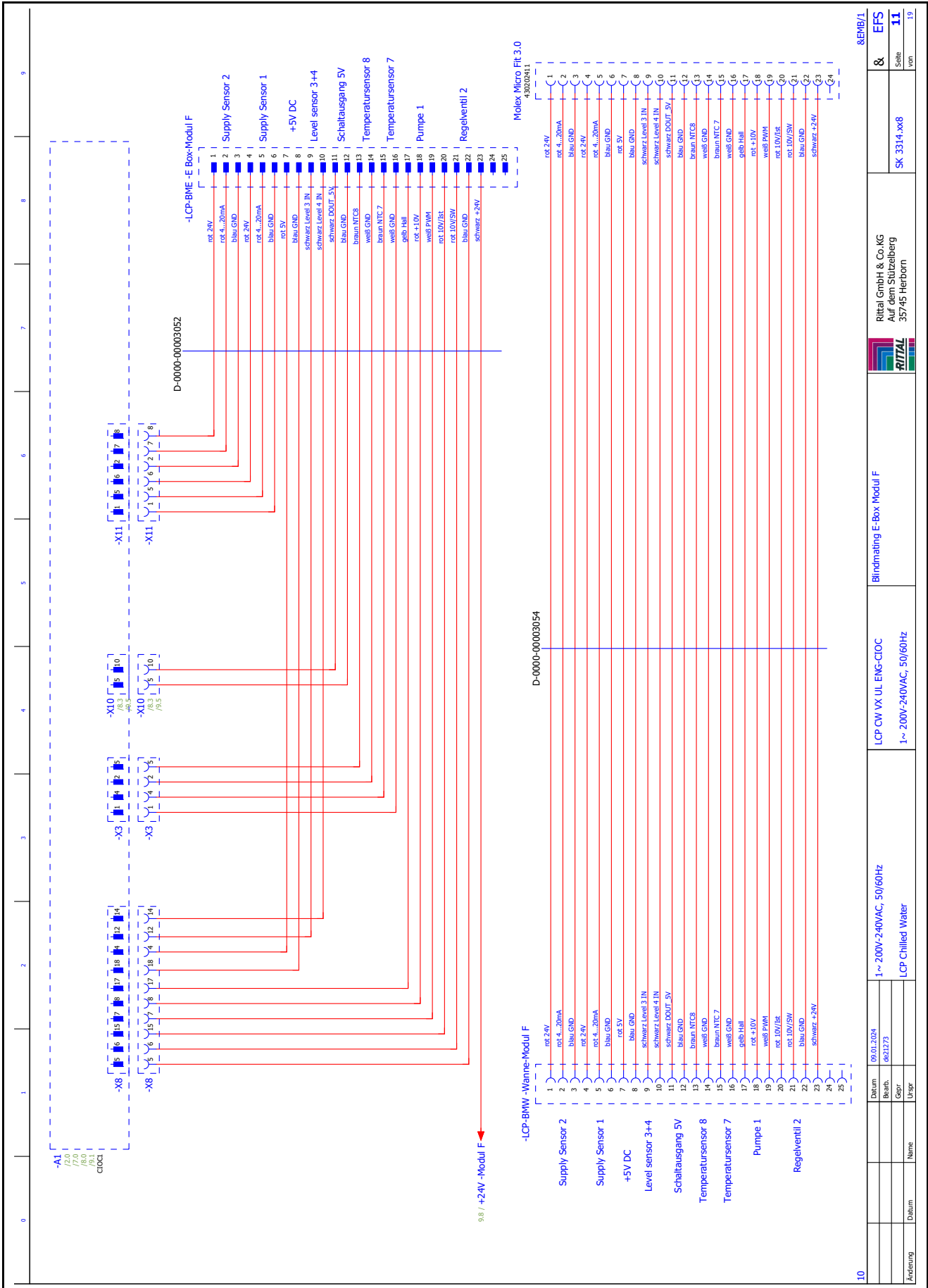


8		27.01.2025		1~ 200V-240VAC, 50/60Hz		LCP CW Vx UL ENG-CIOC		Rittal GmbH & Co.KG Auf dem Stülzberg 35745 Herborn		9	
Datum		Bearb.		LCP Chilled Water		Display/Alarm/ DI		SK 3314.xx8		Seite	
Änderung		Name								von	
		Uzgr								19	

# 16 Further technical information



# 16 Further technical information



10		09.01.2024		1~ 200V-240VAC, 50/60Hz		Blindmating E-Box Modul F		Rittal GmbH & Co.KG		8&BMB/1	
Datum		Bearb.		LCP CW Vx UL ENG-CIOC		LCP Chilled Water		Auf dem Stützberg		Seite	
14821273				1~ 200V-240VAC, 50/60Hz				35745 Herborn		11	
Gepr.		Uzpr.						SK 3314.xx8		von	
Name										19	



## 16.5 Wiring diagram and pin assignment

### 16.5.1 Global version connection diagram

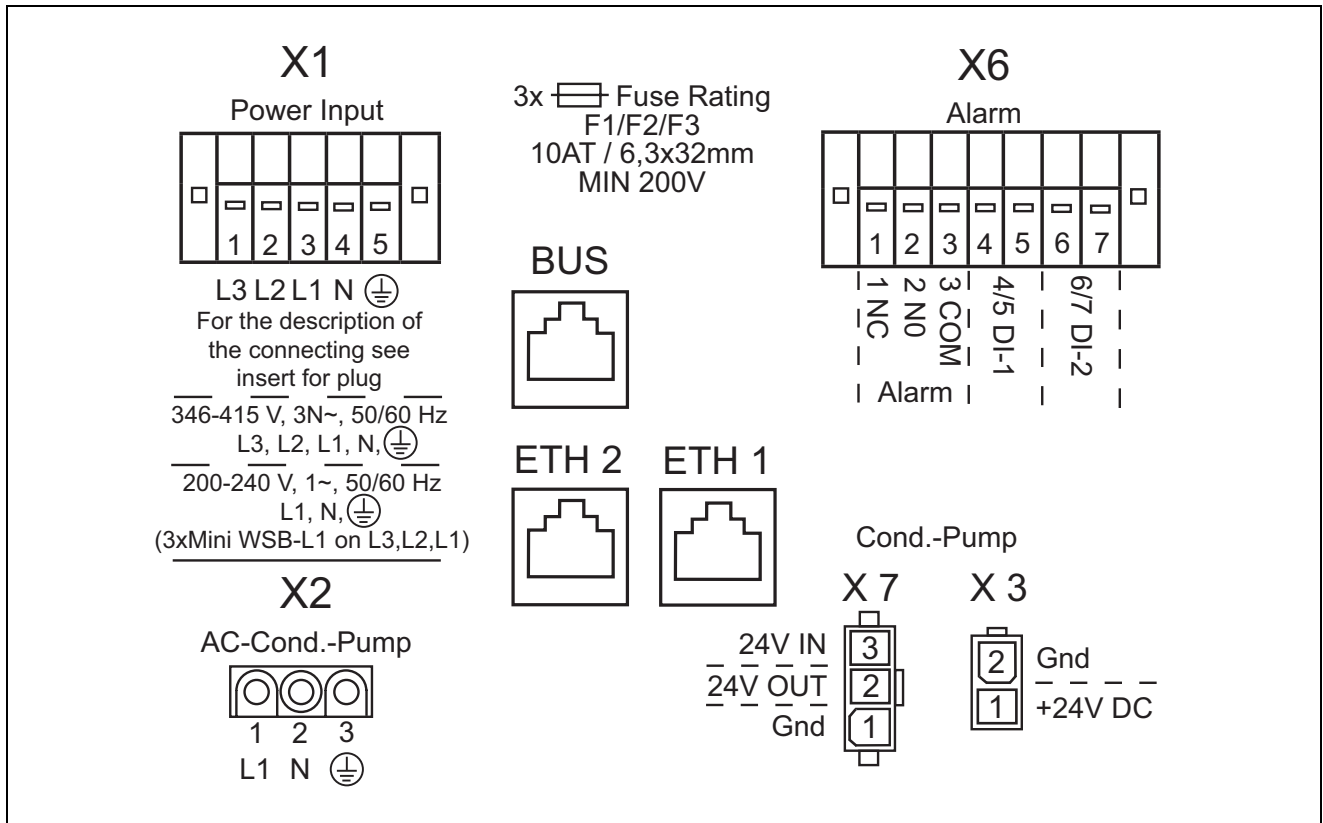


Fig. 155: Connection diagram

### 16.5.2 NSA version connection diagram

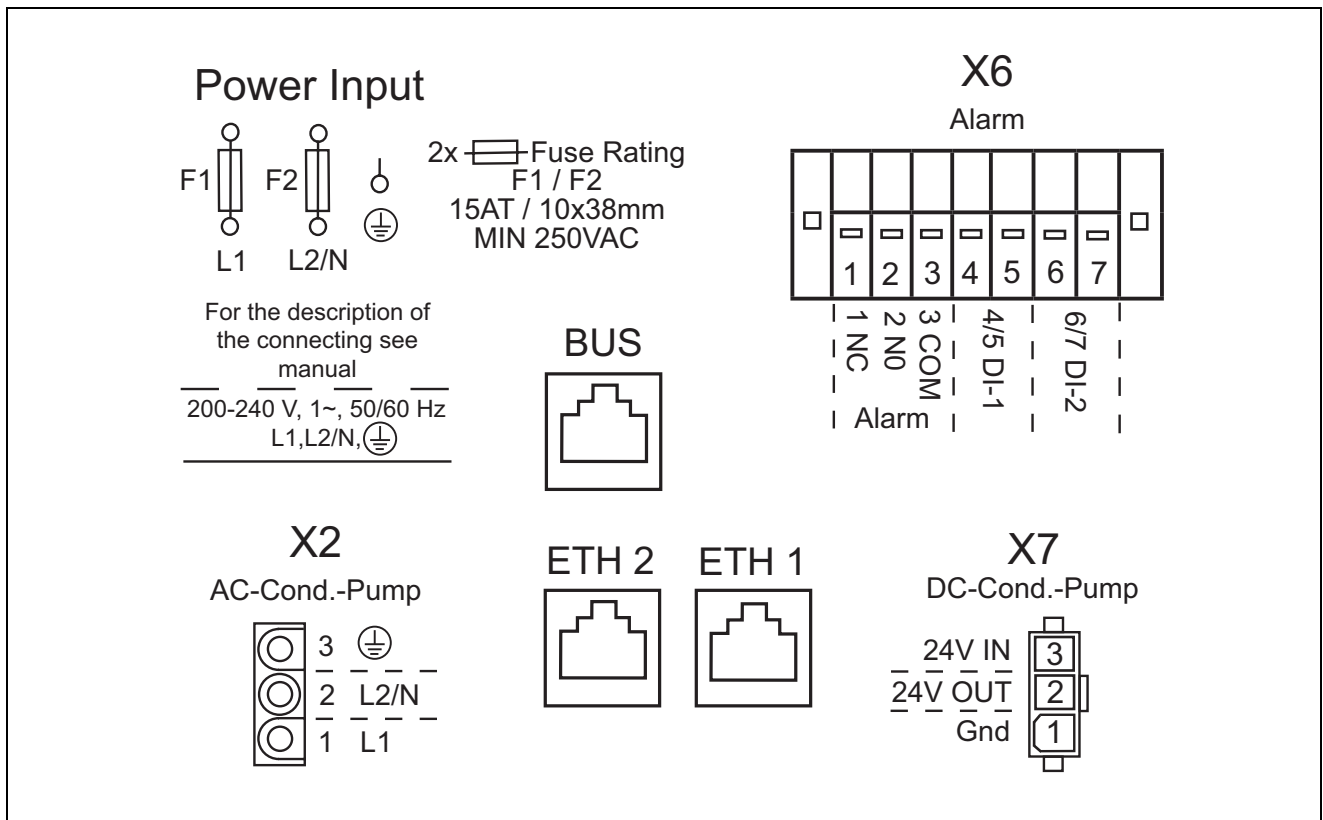


Fig. 156: Connection diagram

# 16 Further technical information

## 16.5.3 Pin assignment

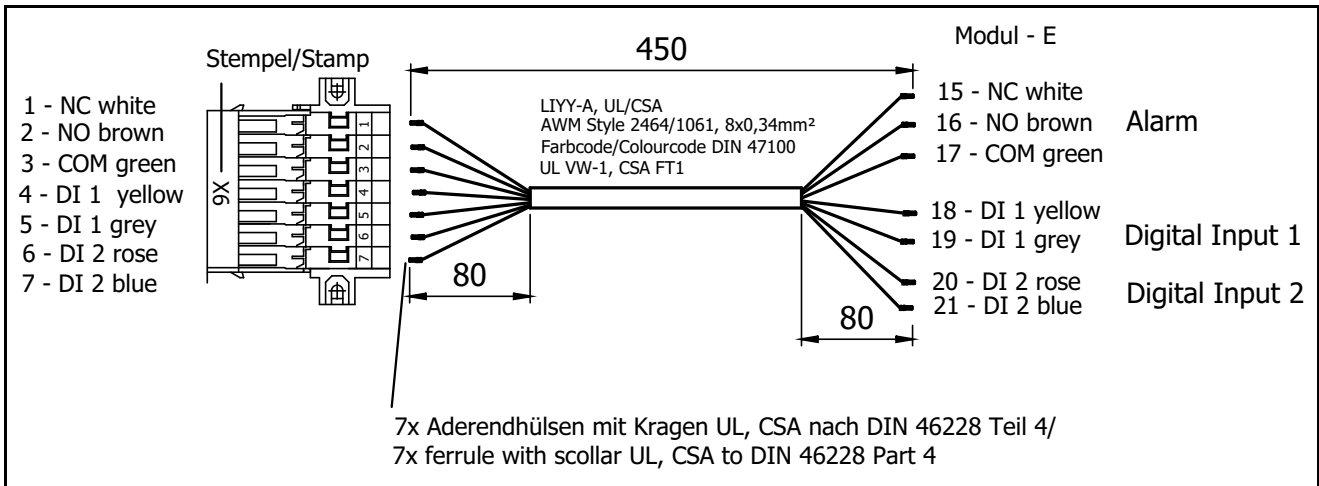


Fig. 157: Pin assignment of X6 terminal strip

## 16.6 Water circulation diagram

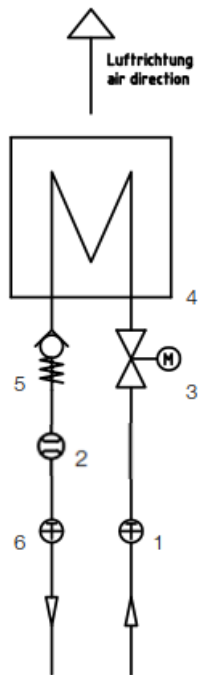


Fig. 158: Water circulation diagram

### Key

- 1 Temperature sensor, inlet
- 2 Flow sensor, return
- 3 Control valve, inlet
- 4 Heat exchanger
- 5 Non-return valve, return
- 6 Temperature sensor, return

## 16.7 Declaration of Conformity

### Vereinfachte EU-Konformitätserklärung / Simplified EU Declaration of Conformity



Wir

We

**Rittal GmbH & Co. KG, Auf dem Stützelberg, 35745 Herborn**

erklären hiermit, dass die Produkte  
hereby declare that the products

#### LCP Liquid Cooling Package Chilled Water

SK 3314.xxx

(Artikel gemäß diesem Typenschlüssel / Types according to this typecode)

Serial name	Local version	Generation	Coolant loop	Capacity class	Version	Mounted fan modules	Width	Height	Depth	Finish color	Option display	Option condensate pump	Option condensate management	Option stainless steel coolant circuit
LCP	G	8	A	1	R	1	3	S	A	7	0	0	0	0
	N			2	I	2		B	B	9	D	C	C	1
				3	P	3		X	C	X				
					M	4			X					
					N	5								
						6								

folgenden Richtlinien entsprechen / conform to the following directives:

**2006/42/EG Maschinenrichtlinie – 2006/42/EC machinery directive**

**2014/30/EU EMV-Richtlinie – 2014/30/EU EMC directive**

**2011/65/EU, (EU) 2015/863 RoHS-Richtlinie - 2011/65/EU, (EU) 2015/863 RoHS Directive**

Bei einer nicht mit uns abgestimmten Änderung der Maschine verliert diese EU-Konformitätserklärung ihre Gültigkeit.

This EU declaration of conformity shall become null and void when the assembly is subjected to any modification that has not met with our approval.

Die vollständige und unterschriebene EU-Konformitätserklärung erhalten Sie auf der Produktseite der Rittal Homepage [www.rittal.com](http://www.rittal.com).

The complete and signed EU declaration of conformity is available at the product site of Rittal homepage [www.rittal.com](http://www.rittal.com).

# 17 Preparation and maintenance of the cooling medium

## 17 Preparation and maintenance of the cooling medium

Depending on the type of installation to be cooled, certain purity requirements are placed on the cooling water in a recooling system. According to the level of contamination and the size and design of the recooling systems, a suitable process is used to prepare and/or maintain the water. The most common types of contamination and frequently used techniques to eliminate them in industrial cooling are:

Type of impurity	Procedure
Mechanical contamination	Filter the water using: Mesh filter, sand filter, cartridge filter, precoated filter, magnetic filter
Excessive hardness	Soften the water via ion exchange
Moderate content of mechanical contaminants and hardeners	Treat the water with stabilisers and/or dispersing agents
Moderate content of chemical contaminants	Treat the water with passivators and/or inhibitors
Biological contaminants, slime bacteria and algae	Treat the water with biocides

Tab. 77: Cooling water contaminants and treatment procedures



**Note:**

For the proper operation of a recooling system that uses water on at least one side, the composition of any additive used or system water should not deviate substantially from hydrological data presented in section 16.1 "Information concerning the filling and additive water".

## 18 Frequently Asked Questions (FAQ)

### Where can general information about LCPs be found?

Operating manuals, technical specifications and drawings can be found at [www.rittal.com](http://www.rittal.com)

Additionally, the IT cooling calculator is available on our website. By specifying various physical parameters, users can calculate the cooling output of the LCP and save it in .pdf format.

### In which output ranges is the Rittal Liquid Cooling Package (LCP) available?

The cooling output of an air/water heat exchanger is basically dependent on the inlet temperature and volumetric flow of the water as well as the volumetric airflow achieved by the fans which are used. There are four performance classes:

#### Water versions

Up to 30 kW cooling capacity with the device types 3314.130/230/530/540/542 (for 15 °C water inlet, 20 K air-side  $\Delta T$ , 5000 m<sup>3</sup>/h volumetric airflow)

Up to 53 kW cooling capacity with the device types 3314.260/560 (for 15 °C water inlet, 20 K air-side  $\Delta T$ , 7900 m<sup>3</sup>/h volumetric airflow)

#### Water/glycol versions

Up to 35 kW cooling capacity with the device types 3314.250/570 (for 15 °C water inlet, 20 K air-side  $\Delta T$ , 5000 m<sup>3</sup>/h volumetric airflow)

Up to 28 kW cooling capacity with the device types 3314.550 (for 15 °C water inlet, 20 K air-side  $\Delta T$ , 4700 m<sup>3</sup>/h volumetric airflow)

To correctly assess the information, it is important to note at what  $\Delta T$  (temperature differential between server air inlet and server air outlet) these values were reported. Modern servers such as 1 U dual CPU systems or blade servers can have a  $\Delta T$  of up to 25 °C.

Please note the recommendations of the server manufacturer.

### Are special components required for use with the Liquid Cooling Package?

All components that follow the "front to back" cooling principle may be used without restriction together with the Liquid Cooling Package.

The use of IT equipment with side air routing can be implemented using special air routing systems.

Every Rittal server rack that was previously cooled conventionally can be cooled with a Liquid Cooling Package (rack cooling) after changing to sealed doors. In other

words, it is possible to retrofit standard racks and bay them onto the Liquid Cooling Package.

Racks with perforated doors can be cooled with LCP Inline systems (series cooling).

The server enclosure remains unaffected by the side installation of the Liquid Cooling Package. This means all height units remain fully usable in their complete depth. Further, by locating the separation elements appropriately, sufficient cooling is also possible for devices that require sideways air throughput (e.g. switches).

### Which LCP variants are available?

For very large heat losses, the use of direct rack cooling with LCP is recommended.

In this case, the server rack is equipped with solid front and rear doors. The "LCP Rack CW" 3314.130/230/238/ 250/260/268 variant is ideal for this form of cooling.

The series cooling with LCP is deployed for low to mid-range heat losses.

In this case, server racks with perforated front and rear doors are normally placed in a row (cold aisle / hot aisle) with the LCPs installed in between.

The "LCP Inline CW" 3314.530/538/540/542/548/550/560/568/570 variant is ideal for this form of cooling.

### Why is a protruding and flush-mounted LCP Inline CW available for series cooling?

Protruding LCP Inline devices (3314.530/538/560/568/570) extend 200 mm in front of the bayed server racks into the cold aisle and are available with a maximum cooling output of 53 kW (35 kW for glycol version).

This has the advantage that the device fans can blow freely left and right directly in front of the server racks. This produces a cold air curtain in front of the perforated server racks so that the 19" equipment can draw in cold air unimpeded.

If no aisle containment is used, the cold air curtain prevents the drawing-in of any recirculated air from the hot aisle.

The flush LCP Inline (3314.540/542/548/550) is installed flush with the bayed server racks with which it forms a continuous front. The maximum cooling output of the device is 30 kW (28 kW for glycol version).

The flush LCP Inline is deployed when the escape route is impaired in a narrow cold aisle by protruding devices.

### Can the quantity of heat removed be controlled dependent on the heat loss?

The controlled variable for the Liquid Cooling Package is the temperature of the air blown at the front of the 19"

# 18 Frequently Asked Questions (FAQ)

level. This value is available in the manufacturer's instruction manual.

The default setpoint of the LCP is 22 °C. This value will then be kept constant regardless of any changes in the required cooling capacity.

This occurs through the appropriate automatic opening and closing of the 2-way valve. Additionally, the necessary fan output is adjusted based on the difference between the server outlet temperature and the setpoint temperature.

In this manner, the Liquid Cooling Package always cools only as much as is necessary without wasting energy. This also reduces problems arising from condensation and desiccation that stem from overcooling.

## **How is the airflow in the enclosure / enclosure suite achieved, and what advantages does this have?**

As a general rule, the "front to back" cooling principle is used in server enclosures; cold air is supplied at the front of the enclosure. The units built into the enclosure have their own fans that draw in this air and use it internally for cooling. The heated air is exhausted to the rear.

The special horizontal air routing of the Liquid Cooling Package, which is adapted especially to this widespread cooling principle, evenly supplies cooled air to the complete height of the server enclosure. This means that all units, independent of their installation position in the enclosure and their load state, receive sufficient cold air.

Temperature gradients are avoided, so that an extremely high cooling capacity can be achieved for each enclosure.

## **Can the LCP Rack be operated with opened/perforated rack doors?**

The response of the Liquid Cooling Package upon operation with opened doors depends mainly on the prevailing ambient conditions. If a front door is opened, the cool air is mixed marginally with the ambient air. Thus, very few cooling problems are to be expected in air conditioned rooms.

Overall, no heat is issued to the room. The back door should only be opened briefly during operation, since this breaks the cooling air circuit and causes the waste heat to be issued to the room. However, this does not influence the cooling of the units in the enclosure.

## **Why is the Liquid Cooling Package, as an air/water heat exchanger, designed for side installation?**

It was important to develop a high performance cooling system which would also meet the requirements of the coming years. This could only be achieved routing the cooling air in a manner which was tailored to the needs of the devices. The main problem associated with cool-

ing by air from the raised floor or with top or bottom heat exchangers is air routing.

Cold air which is fed into the enclosure from below or above changes its temperature greatly because of recirculation. In data centres, temperature differences of up to 20 °C occur between the bottom and top of the enclosure, so that a server fitted in a low position in the enclosure benefits from temperature conditions up to 20 °C 'better' than one at the top.

Because of this, in order to achieve sufficient cooling of all systems in the rack when using this sort of cooling, a significantly lower air temperature must be used. Where cooling air is supplied from the side, however, this problem does not arise – the cooling is distinctly more efficient and precise and the air available to the devices can be kept to within 1-2 °C.

Because the system is built as its own enclosure, the system is protected against the risk of leaks. All water-carrying parts are located outside of the actual server enclosure. Connection to the cooling water network also is made in the floor there.

Further, Rittal has many years of experience in the field of air/water heat exchangers. All of this experience is incorporated into the construction of the Liquid Cooling Package. Because of these precautionary measures, even in the event of a – very unlikely – leak, water cannot find its way into the area for electronic components.

The 'slimline' width of only 300 mm also avoids disrupting the matrix in the data centre. Because the depth of the enclosures is not increased, the full width of the aisles in the data centre is maintained.

## **How is water connected to the Liquid Cooling Package?**

Connection to the building network or the re-cooler may be made either from below or from the top. A 1½" screw-fastening with external thread is installed in the LCP. The mating component to be installed must be a 90° bend with union nut because space considerations mean the 90° bend in the device cannot be turned through its own axis.

An appropriate hose pair (inlet, outlet), for connection of the LCP, however, can also be ordered as accessory.

The article number of the connection hose is 3311.040. Each part of the hose pair is 1.8 m long. If required, the hose can be shortened to the required length on-site.

## **Can both air-cooled and water-cooled server enclosures operate side-by-side in a data centre?**

Certainly, only a cooling water installation must be available for the cold water supply.

This has the advantage that the existing room air conditioning is not further burdened. Consequently, Liquid Cooling Package systems can be used to intercept "hot-

spots" in the data centre without requiring the expansion of the air-conditioning system.

## **With which dimensions is the Liquid Cooling Package available?**

The Liquid Cooling Package itself has the dimensions 300 x 2000 x 1000/1200 mm (W x H x D). Every Rittal enclosure with the dimensions 2000 x 1000/1200 mm (H x D), independent of the width, can be bayed.

Other sizes are available on request.

## **Does the Liquid Cooling Package require maintenance?**

The Liquid Cooling Package itself is maintenance-free. All components are designed with an extremely long lifespan. In case of a malfunction, a message is generated by the alarm output of the climate controller.

We recommend, however, that any water filter installed in front of the LCP is checked at regular intervals and cleaned if necessary.

The piping in and to the LCP should be checked yearly for leaks.

## **What advantages does a water-cooled solution have over an air-cooled solution in a data centre?**

The use of water-cooled enclosures allows for the controlled, efficient and cost-saving cooling of heat losses, something not possible with conventional air conditioning.

Thus, it is possible to fully use the space physically available in the enclosures, instead of being forced to erect "half-empty" enclosures because of air conditioning problems.

This achieves considerable savings in the investment and operating costs of a data centre.

## **Is a raised floor necessary for installation? If yes, what height is required?**

A raised floor is not required for routing the cooling water pipes. In principle, the pipes can also be laid in channels in the floor.

The LCP is always also prepared for water connection from above.

If the water supply should be provided using a raised floor, a minimum height of 300 mm is required in order to achieve the required bending radii of the connection hoses or piping.

## **Can LCP-cooled enclosures also be bayed with one another?**

Basically, the Liquid Cooling Package is just a "small" enclosure. That means that all accessories for baying may be used. Thus, LCP-cooled systems may be bayed without limitation.

## **How is condensate formation prevented in the Liquid Cooling Package?**

Condensate can occur only where water is cooled below the dew point.

When the air temperature falls, the air loses its ability to accept or "hold" water and any excessive water will be dissipated as condensate at the coldest point, in the case of the LCP, at the heat exchanger.

The Liquid Cooling Package normally works with water temperatures above the dew point and so precludes condensate formation.

If the cold water system is operated with water inlet temperatures below the dew point, there are various ways of increasing the water inlet temperature (to the LCP).

The use of a water/water heat exchanger allows an existing cold water system to be split into a primary and a secondary circuit.

In the primary circuit, the water circulates from the cooling source that lies below the dew point. In the secondary circuit, the inlet water to the LCP is raised to a temperature level above the dew point and so condensate formation in the LCP prevented.

A water/water heat exchanger has the additional advantage of reducing the water volume in the secondary circuit. Should a very infrequent leakage occur in the secondary circuit, only the small water volume of the circuit can escape.

The water quality in the secondary circuit itself can be defined so that any heavily contaminated primary circuit water cannot enter the data centre environment.

To increase the water inlet temperature above the dew point, an agitator or an injection system can also be installed in the water circuit to the LCPs.

In this case, the cold inlet water is mixed with hot water from the outlet and so also achieves a water inlet temperature above the dew point.

## **Why is the prevention of condensate formation in the LCP desirable?**

Condensate formation also means dehumidification of the air.

The total cooling output of the LCP always consists of an amount of latent and sensitive cooling output.

When water inlet temperatures above the dew point are used, no dehumidification (condensate formation) occurs and the share of the latent cooling output is zero.

# 18 Frequently Asked Questions (FAQ)

The complete sensitive cooling output can be used to cool the air.

Dehumidification with the latent cooling output requires energy that is then no longer available for cooling the server inlet air. The share of the sensitive cooling output is correspondingly less and less cooling output for the same energy input available.

This means generally a lower energy efficiency and additional devices need to be used to provide the same cooling output.

## How is the condensate dissipated in the LCP?

In the water/glycol versions of the LCP (3314.250/550/570) a spray eliminator is installed behind the heat exchanger. If condensate drops come in contact with the air flow, they are separated there and fed downwards into the condensate tray.

Despite the condensate management, a water inlet temperature above the dew point is recommended to prevent condensate formation.

The 30 kW version of the LCP (3314.130/230/530/540/542) and the 53 kW version of the LCP (3314.260/560) does not provide any condensate management. The condensate resulting at the heat exchanger is fed downwards into a condensate tray. From there, a condensate hose leads the condensate to the outside.

For these devices, the water inlet temperature must lie above the dew point in order to prevent condensate formation.

## Is a condensate pump installed in the LCP?

No, a condensate pump is not installed as standard because the devices are normally operated at temperatures above the dew point.

If required, a condensate pump 3314.012 can be bought and installed by customer. We also recommend our condensate management pack (vane type separator, temperature/humidity sensor), which is included with CWG versions and available on request for all other LCPs.

If several LCPs are used in an installation, the installation of a condensate pump in each LCP makes no sense. In this case, the standard condensate discharges of the devices without pressure should be grouped centrally and the condensate discharged using a dual-pump lifting system installed by the customer.

## What must be considered for the condensate connection of the LCP?

The condensate discharge of the LCP systems must not be connected directly to the waste water system. An odour trap must be installed between the systems. The

condensate pump does not provide any protection against back-pressure and return waste water. The relevant engineering practice must be observed for the connection of the condensate tray.

## Is the LCP protected against leaks?

Yes, the LCP has an integrated leak monitoring.

If excessive liquid escapes from the device, this will be detected and signalled with an internal sensor. If required, only a signal is issued, or, in addition, the device control valve closed immediately to prevent the intrusion of further cooling water.

## How does the Liquid Cooling Package prevent desiccation of the air?

If the LCP is operated with a water temperature above the dew point, no dehumidification occurs and so the air is not desiccated.

This makes the system dependent on the humidity present in the ambient air.

In most cases, the data centre is climate-controlled using an air-conditioning system that also regulates the relative humidity to above 30% and so in the uncritical range with regard to static charge.

## Why does the LCP Rack offer the option of cooling either one or two enclosures?

The most important design principle was a flexible cooling system which would correspond to the enormous volume of air required by a modern server. Because of the horizontal cooling possibility, options for "right", "left" or "both-sided" cooling arise in combination with the chosen fans. Cooling a server rack with two Liquid Cooling Packages has the advantage of complete system redundancy without further installation of 19" equipment.

## In which applications and situations should an LCP system be used?

Whenever the cooling capacity of the room air-conditioning system is not sufficient to handle the heat loads of current high performance servers. With an optimal design in a newly planned data centre, this limit is at about 1,000 – 1,200 W/m<sup>2</sup>; in older data centres, it is often significantly below that.

At best, a maximum of 4 kW per rack needs to be removed. This value is much larger, however, for racks filled with blade servers.

But the Liquid Cooling Package represents a possible solution even in applications where there is no existing air-conditioning system. In combination with Rittal re-cooling systems, even climate control solutions for high performance cluster systems can be created.



## What additional infrastructure is required to operate the LCP?

In addition to the Liquid Cooling Package, pipes to the individual enclosures and a system for generating the cooling water are required.

With single enclosures, a direct connection with the cooling water suffices. With multiple enclosures, a cooling water distribution system should be provided.

To a great degree, this infrastructure corresponds to that already used in a conventionally air-conditioned data centre. The "cold" water is provided by water chillers (with adequate redundancy, especially in regard to the pumps). The water is distributed over a cooling water network in the data centre to air-circulation cooling units or ceiling cooling units.

## Which key disadvantages of today's air-cooled solutions are remedied by water cooling?

The main problem of conventional cooling involves directing large amounts of cool air through raised floors, suspended ceilings and within the room. Often, because of complex flow conditions, the cold air does not reach the servers in sufficient quantities.

There is actually enough cold produced and often, the cooling output from raised floor systems lies far above the electrically connected load of the unit that needs to be cooled, but in spite of this, the cooling is insufficient. This effect is explained by the fact that the cooling air is already warmed too much through recirculation on its way to the server or the cooling air does not even reach the IT equipment because of a "blocked" raised floor.

By using water to lead the heat loss out of the enclosure, an excellent separation between cold air and removed thermal energy is achieved. Because of its material characteristics, water can transport thermal energy almost 4,000 times "better" than air. Small pipes are capable of transporting very large quantities of heat.

## Can the divided side panels of the VX IT rack also be used for the LCP?

If the LCP is located at the end of a rack row, the open side of the device must be closed with a side panel.

The divided side panels of the VX IT cannot be used for this purpose; single-piece, screwed-on side panels must always be used.

## Up to what depth may servers be installed?

Modern server systems have a depth of approx. 800 mm. Consequently, it is recommended for rack-based cooling with LCP that the 482.6 mm (19") level in the enclosure be installed so that the same distance remains to the door in front and in back.

In the front area, the distance (ideal approx. 200 mm) must be sufficiently large so that the cold supply air can be blown unimpeded in front of the IT equipment.

In combination with the space on the side between the 482.6 mm (19") level and the Liquid Cooling Package, sufficient room for the air which is fed or emitted is achieved. The side openings do not need to be completely "open" throughout their depth.

## How is the LCP connected electrically?

The standard connection of the device for the global version is  $U = 1\sim 200\text{-}240\text{ V AC}$ , 50/60 Hz; L1, N, PE, and for the NSA version  $U = 1\sim 200\text{-}240\text{ V AC}$ , 50/60 Hz; L1, (L2/N), PE, i.e. only single-phase components may be installed in the device.

The global version of the LCP is always delivered with a 5-pole mains connection socket on the back of the device. The NSA version has a fixed connection with three terminals for the mains connection cable.

A 5-pin connector plug is included in the accessories kit for the 200-240 V, 1~, 50/60 Hz connection. The power-conducting phase is already jumpered to the two other phase terminals in the plug.

If the Liquid Cooling Package is connected to the mains using a 5-conductor connection cable (346-415 V, 3~, N, PE; DK 7856.025), three separate phases (L1, L2, and L3) are available.

If one connection phase fails, the device continues to be supplied with power and remains operational as follows:

Failure in phase L1:

The fans at positions 1 and 2 switch off, the fans at positions 3 to 6 remain operational.

Failure in phase L2:

The fans at positions 3 and 4 switch off, the fans at positions 1 and 2 as well as 5 and 6 remain operational. The optionally installed condensate pump also no longer receives any supply voltage.

Failure in phase L3:

The climate controller no longer receives any supply voltage. The fans at positions 5 and 6 switch off. Because of the missing setpoint from the control unit, the fans at positions 1 to 4 enter a so-called "fail-safe" operation with 100% fan speed.

## How is the network connected to the LCP?

The RJ 45 socket for the network connection is located at the rear of the device.

The default IP address of all LCPs is 192.168.0.190.

Detailed explanations for establishing the network connection are contained in the operating manual.

# 18 Frequently Asked Questions (FAQ)

## Does the LCP have installed levelling feet?

No, the device does not have any levelling feet.

If these are required, they can be ordered with article number 4612.000 (adjustment height 18–43 mm, adjustment from the outside) or 5301.326 (adjustment height 20–50 mm, adjustment from the inside and outside).

## How many fan modules are installed as standard in the LCPs and what is the maximum number of fan modules for each device?

**One** fan module is installed in the factory for LCP types 3314.130/230/530. A maximum of five additional fan modules can be integrated. This means, a maximum of 6 fan modules can be installed.

**Two** fan modules are installed in the factory for LCP types 3314.540/542/550. A maximum of two additional fan modules can be integrated. This means, a maximum of 4 fan modules can be installed.

**Four** fan modules are installed in the factory for LCP types 3314.250/260/560/570. A maximum of two additional fan modules can be integrated. This means, a maximum of 6 fan modules can be installed.

## Why can fans be re-equipped modularly for the LCP?

The full cooling output of the LCPs is often not required immediately after the construction of a data centre (DC). It suffices to begin with a minimum fan configuration for each LCP.

This save investment costs.

When the heat loss in the DC increases over the course of time, additional fan modules can be installed as required and the cooling output of the LCPs so increased (pay as you grow).

However, with regard to the possible energy savings, it makes sense to fully equip an LCP with fan modules directly at the beginning.

For example, the LCP 3314.130/230 types have a cooling output of 30 kW (at 4500 m<sup>3</sup>/h air volume flow) with three integrated fan modules. The electrical power consumption of 1100 W is measured for the complete device.

If, however, six fan modules are used in the devices for the same air volume flow (4500 m<sup>3</sup>/h), their speed reduces significantly compared with three fan modules.

For the same cooling output of 30 kW, an electrical power consumption of 600 W is measured for the complete device.

This is equivalent to a saving of 45% and so produces a direct saving of the operating costs.

In addition, increasing the number of installed fan modules can guarantee a redundancy.

## Activation/deactivation of fan modules

If additional fan modules are installed in the LCP, they must be activated via the web interface or the display on the device. Only then are the fans displayed and monitored in the software.

If fan modules are removed, they must be deactivated otherwise error messages will be generated.

## What accessories are available for the LCP?

Connection hose, 3311.040:

The flexible connection hose is used to bridge the "last meter" from the piping installed by the customer to the LCP.

If the LCP is connected with rigid piping, inaccurate work can produce tensions at the water connection and cause leaks.

This can be avoided with the use of the flexible connection hose.

Each part of the hose pair is 1.8 m long. If required, the hose can be shortened to the required length on-site.

The hose has a 90° bend at one end and a straight fitting at the other end, each with a 1½" union nut.

Fan module, 3313.016

This fan module can be used for all devices. To increase the cooling output, further individual fan modules can be installed subsequently in the LCPs. This can achieve a redundancy, or a reduction the electrical power consumption of the LCP.

Touchscreen display, 3314.030

The coloured display can be used to monitor important functions of the LCPs directly on the device and make settings (setpoint, fan activation/deactivation).

The LCP display can also be upgraded.

Rear adaptor, 3312.081 (RAL 7035)/3312.083 (RAL 9005)

This can be placed on the rear of the protruding LCP Inline CW (3314.530/560/570) to close the gaps present in the rear area.

## What position does the LCP control valve have when disconnected from the mains?

The control valve is open when disconnected from the mains.

This ensures that the full cooling output is available in the case of wire breakage or failure of the control voltage from the controller.

## 18 Frequently Asked Questions (FAQ)

---

### **What happens if the LCP control electronics fail?**

In this case, the LCP enters the so-called "Emergency Mode".

The control valve opens at 100% (full water flow rate) the fans control to the maximum fan volume flow.

This so ensures the full cooling output in this "exceptional situation".

### **Can a VX with an LCP installed be bayed to a TS IT?**

Yes. For the flush variant, please use baying kit 5301.312 and for the set forward variant, please use baying kit 3311.089.

### **What is the internal diameter of the condensate discharge hose?**

The condensate discharge hose has an internal diameter of 15 mm.

## 19 Glossary

### 1 U server:

1 U servers are very flat and deep, modern high performance servers, whose height corresponds to one height unit (1 U = 44.54 mm, the smallest standard height division). Typical dimensions are (W x D x H) 482.6 mm (19") x 800 mm x 1 U.

These systems normally include 2 CPUs, many GB RAM and hard drives, so that they require up to 100 m<sup>3</sup>/h cooling air at a maximum of 32 °C.

### 482.6 mm (19") level:

The front sides of the devices built into the server enclosure form the 482.6 mm (19") level.

### Blade server:

By orienting dual CPU systems vertically and placing up to 14 units on a common backplane to provide for signal routing and power supply, one has a blade server.

Blade servers can "generate" up to 4.5 kW heat loss per 7 U and 700 mm depth.

### "Front to back" cooling principle:

The devices built into the server enclosure are normally cooled according to the "front to back" cooling principle.

Under this cooling principle, cold air supplied by external air conditioning is blown to the front of the server enclosure. The fans in the devices built into the server enclosure direct this air horizontally through the server enclosure. The air is warmed through this process and is exhausted out the rear of the enclosure.

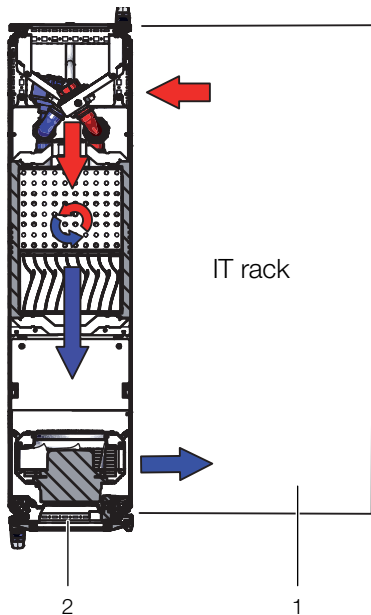


Fig. 159: "Front to back" cooling principle with bayed LCP Rack

### Hotspot:

A hotspot is the concentration of thermal energy in a small area.

Hotspots normally lead to local overheating and can cause system malfunctions.

### Air/water heat exchanger:

Air/water heat exchangers operate according to the same principle as automobile radiators. A liquid (water) flows through the heat exchanger, while, at the same time, air is blown over its surface area (which is as large as possible), facilitating energy exchange.

Depending on the temperature of the circulating liquid (water), an air/water heat exchanger may either heat or cool the circulated air.

### Recooling system:

As an initial comparison, a recooling system is like a refrigerator – through an active cooling circuit, unlike a household refrigerator, a recooling system produces cold water. The thermal energy which is removed from the water is dissipated to the outside by fans. Because of this, it is normally advisable to locate recooling systems outside of buildings.

Recooling systems and air/water heat exchangers form a complete cooling solution.

### Switch:

Multiple servers normally communicate with one another and in the network using switches.

Because as many inputs as possible are located on the front of switches, they frequently have an airflow from the side, not "front to back" cooling.

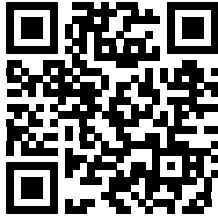
### Hysteresis:

If an upper limit value is overshoot (SetPtHigh) or a lower limit value is undershot (SetPtLow) a warning or an alarm will be output immediately. For a hysteresis of x%, the warning or alarm for undershooting an upper limit value or overshooting a lower limit value clears only for a difference of  $x/100 \cdot \text{limit value}$  to the limit value.

### **20 Customer service addresses**

Contact details can be found on the Rittal website at:

– <https://www.rittal.com/rittal-locations>



# Rittal – The System.

Faster – better – everywhere.

- Enclosures
- Power Distribution
- Climate Control
- IT Infrastructure
- Software & Services

You can find the contact details of all Rittal companies throughout the world here.



[www.rittal.com/contact](http://www.rittal.com/contact)

RITTAL GmbH & Co. KG  
Auf dem Stuetzelberg · 35745 Herborn · Germany  
Phone +49 2772 505-0  
E-mail: [info@rittal.de](mailto:info@rittal.de) · [www.rittal.com](http://www.rittal.com)

11.2024 / D-0000-000004068-00-EN

ENCLOSURES

POWER DISTRIBUTION

CLIMATE CONTROL

IT INFRASTRUCTURE

SOFTWARE & SERVICES

FRIEDHELM LOH GROUP

