

IT Infrastructure

IT power

Power Distribution Unit

Basic version

Robust, compact basic power distributor for the IT environment.

Benefits:

- With the compact PDU, any IT rack is easily equipped with a professional power distribution system
- With the VX IT rack, assembly is tool-free
- Compact design
- Easy to install, even in the zero-U space

Material:

- Extruded aluminium section, anodised

Protection category IP to IEC 60 529:

- IP 20

Supply includes:

- Connector lock for IEC C14 and C20 connectors
- Assembly parts

Standards:

- EN 62 368-1
- EN 61 000-4
- EN 61 000-6
- EN 55 022

Assembly instructions:

- For mounting on VX IT punched sections with mounting flanges or foreign racks, mounting adaptor 7000.688 is additionally required

Low Voltage Directive:

- 2014/35/EU

EMC directive:

- 2014/30/EU



PDU basic

Model No. DK	Power			Slots/slot type				Function		Dimensions PDU length mm	PDU installed in rack/ min. enclosure height mm		Page
	No. of phases	Phase current A	Output kW	Input	Outputs IEC C13	Outputs IEC C19	Outputs Earthing-pin	Measuring	Switching		VX IT rack frame	VX IT (zero U) 482.6 mm (19") mounting angles	
7979.102	1~	16	3.7	IEC C20	8	-	-	-	-	450 (19"/1 U)	800	800	2
7979.103	1~	16	3.7	CEE	-	-	8	-	-	450 (19"/1 U)	800	800	2
7979.104	1~	32	7.4	CEE	4	2	-	-	-	450 (19"/1 U)	800	800	3
7979.110	1~	16	3.7	CEE	12	1	-	-	-	695	1200	1200	3
7979.111	1~	16	3.7	CEE	-	-	10	-	-	695	1200	1200	4
7979.112	1~	32	7.4	CEE	16	2	-	-	-	845	1200	1200	5
7979.113	1~	32	7.4	CEE	12	4	-	-	-	845	1200	1200	6
7979.114	1~	32	7.4	CEE	-	-	16	-	-	1095	1200	1800	7
7979.115	1~	16	3.7	CEE	24	4	-	-	-	1095	1200	1800	8
7979.116	1~	32	7.4	CEE	24	4	-	-	-	1295	1800	1800	9
7979.117	1~	16	3.7	IEC C20	12	1	-	-	-	695	1200	1200	10
7979.118	1~	16	3.7	IEC C20	18	2	-	-	-	845	1200	1200	10
7979.130	3~	16	11	CEE	-	9	-	-	-	695	1200	1200	11
7979.131	3~	32	22	CEE	-	12	-	-	-	1095	1200	1800	12
7979.132	3~	16	11	CEE	6	6	-	-	-	695	1200	1200	13
7979.133	3~	16	11	CEE	-	-	18	-	-	1095	1200	1800	14
7979.134	3~	32	22	CEE	-	-	24	-	-	1695	1800	2000	15
7979.135	3~	16	11	CEE	18	3	-	-	-	845	1200	1200	16
7979.136	3~	16	11	CEE	24	6	-	-	-	1095	1200	1800	17
7979.137	3~	32	22	CEE	24	6	-	-	-	1495	1800	1800	18
7979.138	3~	16	11	CEE	18	12	-	-	-	1295	1800	1800	19
7979.139	3~	32	22	CEE	12	12	-	-	-	1495	1800	1800	20
7979.140	3~	16	11	CEE	36	6	-	-	-	1495	1800	1800	21
7979.141	3~	32	22	CEE	36	6	-	-	-	1895	2000	2200	22
7979.142	3~	16	11	CEE	42	-	-	-	-	1495	1800	1800	23
7979.143	3~	32	22	CEE	48	-	-	-	-	1895	2000	2200	24
7979.175	3~	16	11	CEE	18	3	6	-	-	1095	1200	1800	25

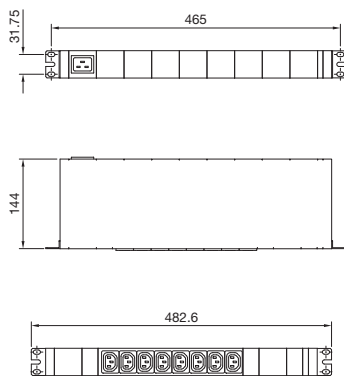
Power Distribution Unit

Basic version

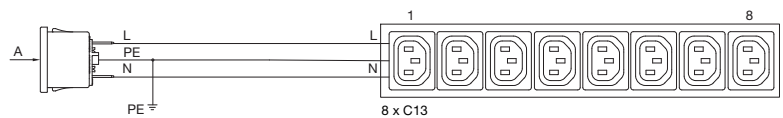
PDU UK basic

Model No. DK	Power			Slots/slot type			Function		Dimensions	PDU installed in rack/ min. enclosure height mm		Page
	No. of phases	Phase current A	Output kW	Input	Outputs BS1363	Outputs IEC C19	Measuring	Switching		PDU length mm	VX IT rack frame	
7979.801	1~	13	3.0	BS1363	6	–	–	–	450 (19"/1 U)	800	800	26
7979.811	1~	13	3.0	BS1363	8	–	–	–	695	800	800	26
7979.812	1~	13	3.0	BS1363	12	–	–	–	845	1200	1200	26
7979.813	1~	13	3.0	BS1363	16	–	–	–	1095	1200	1800	27
7979.814	1~	16	3.7	CEE	16	4	–	–	1295	1800	1800	27
7979.815	1~	32	7.4	CEE	16	4	–	–	1495	1800	1800	27

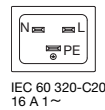
DK 7979.102



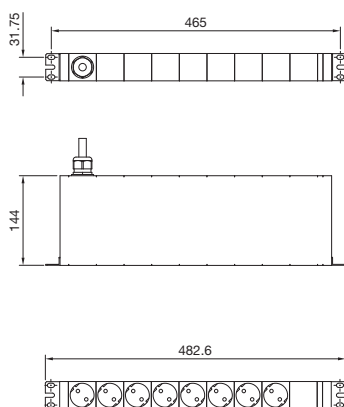
Circuit diagram



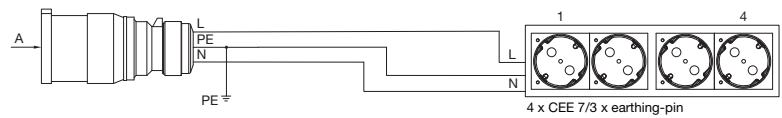
View A



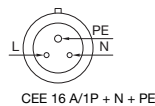
DK 7979.103



Circuit diagram



View A

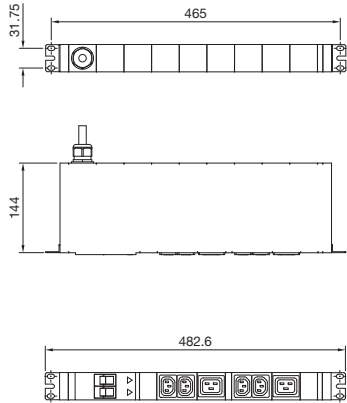


IT power

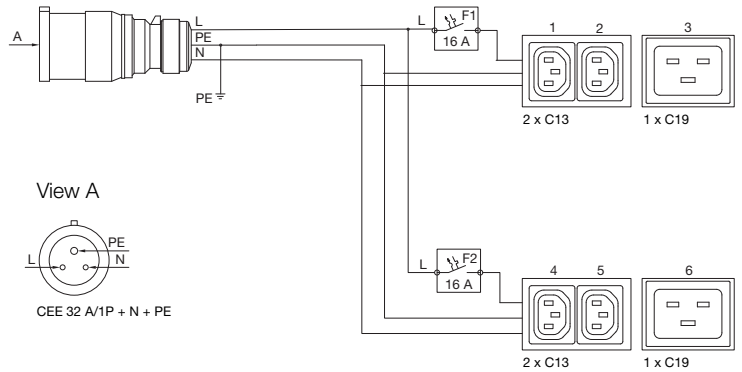
Power Distribution Unit

Basic version

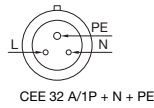
DK 7979.104



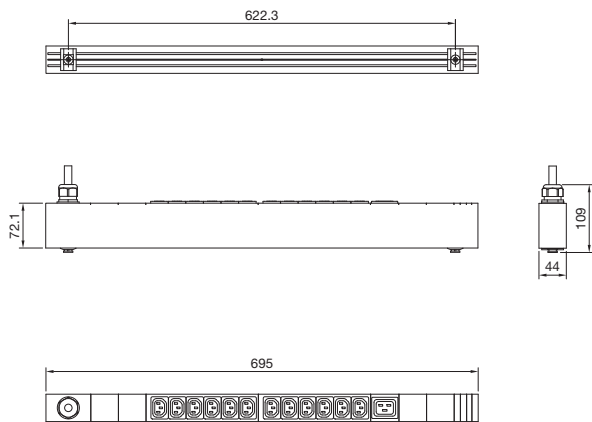
Circuit diagram



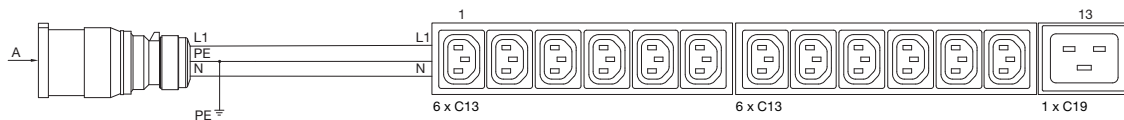
View A



DK 7979.110



Circuit diagram



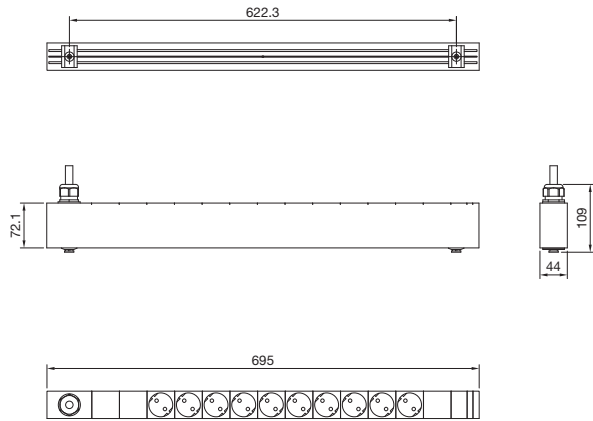
View A



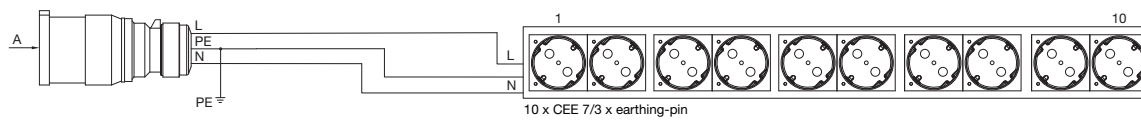
Power Distribution Unit

Basic version

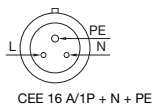
DK 7979.111



Circuit diagram



View A



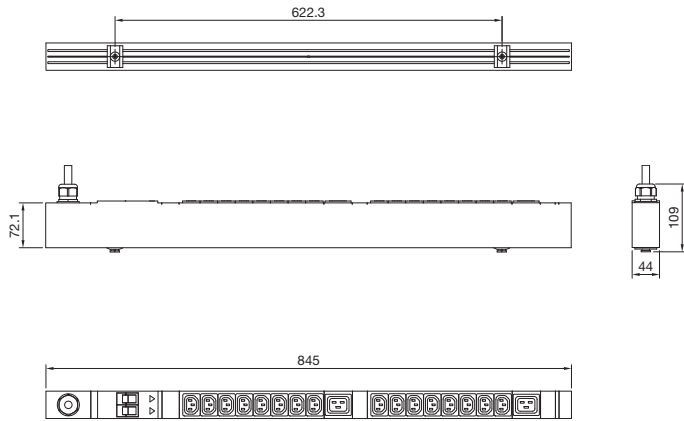
IT Infrastructure

IT power

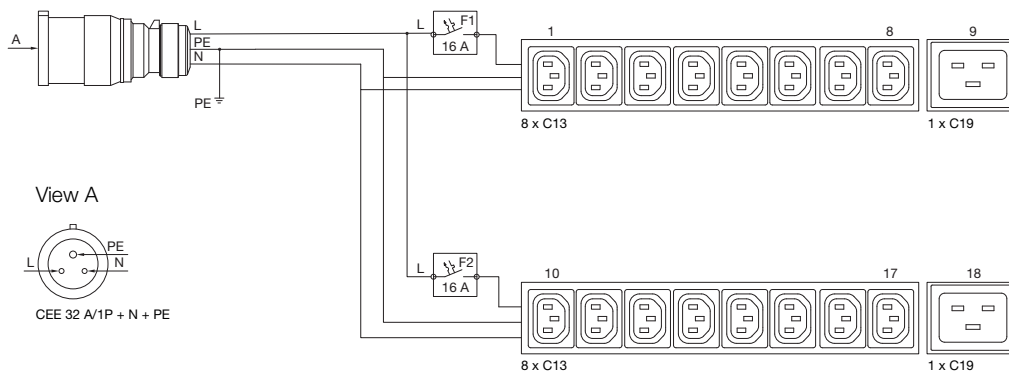
Power Distribution Unit

Basic version

DK 7979.112



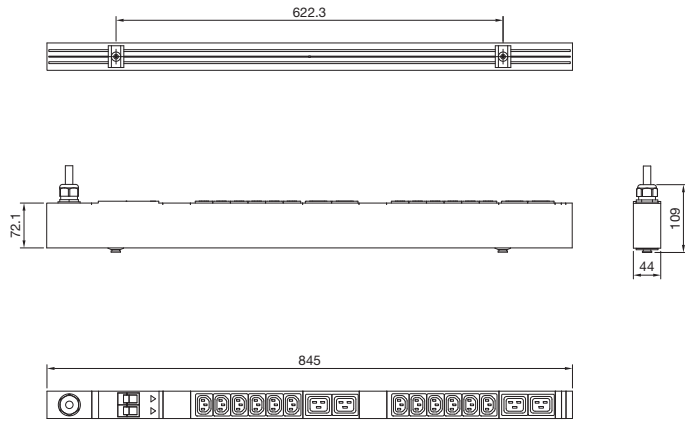
Circuit diagram



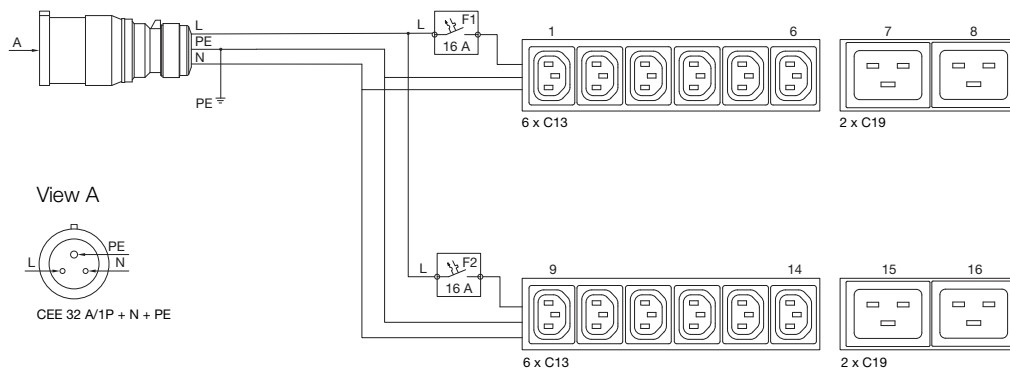
Power Distribution Unit

Basic version

DK 7979.113



Circuit diagram



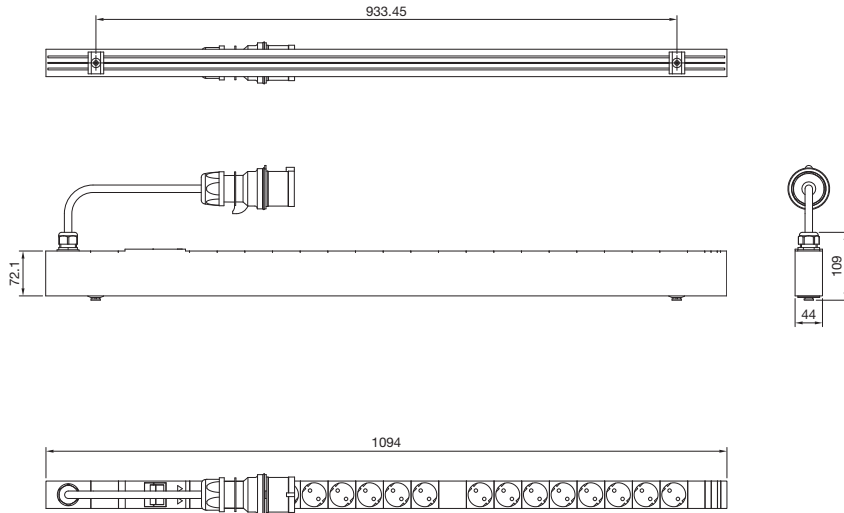
IT Infrastructure

IT power

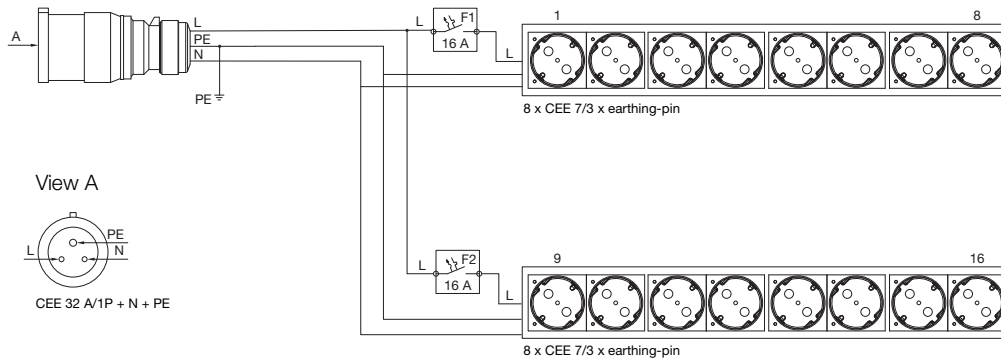
Power Distribution Unit

Basic version

DK 7979.114



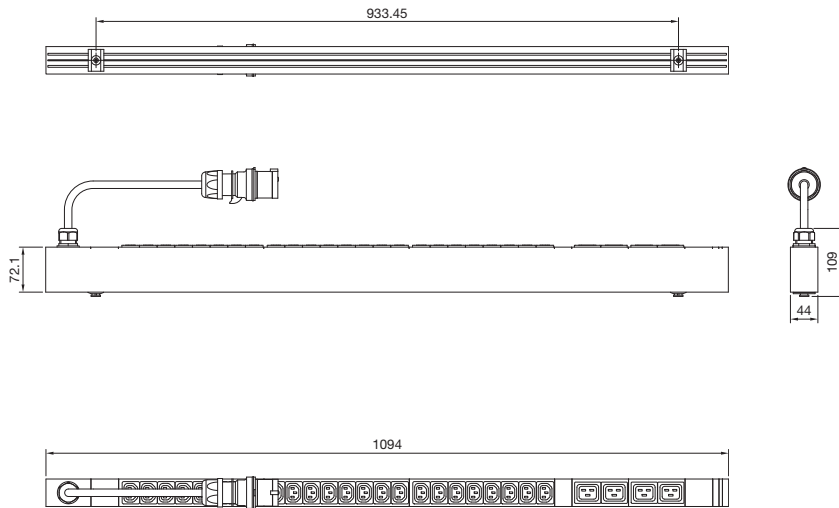
Circuit diagram



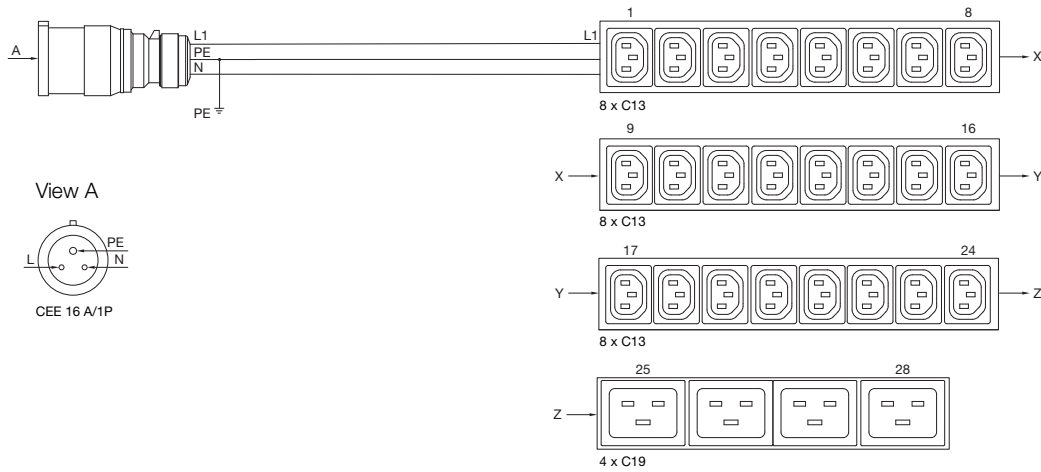
Power Distribution Unit

Basic version

DK 7979.115



Circuit diagram



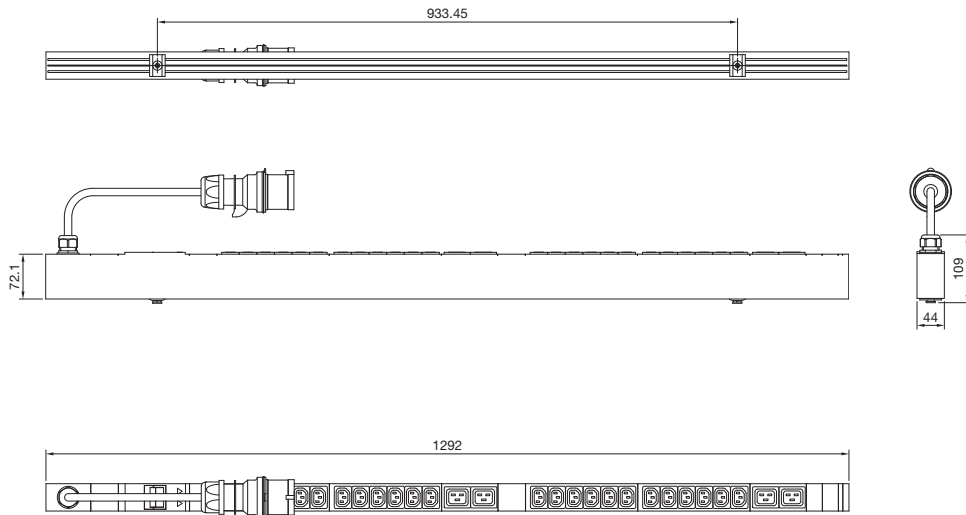
IT Infrastructure

IT power

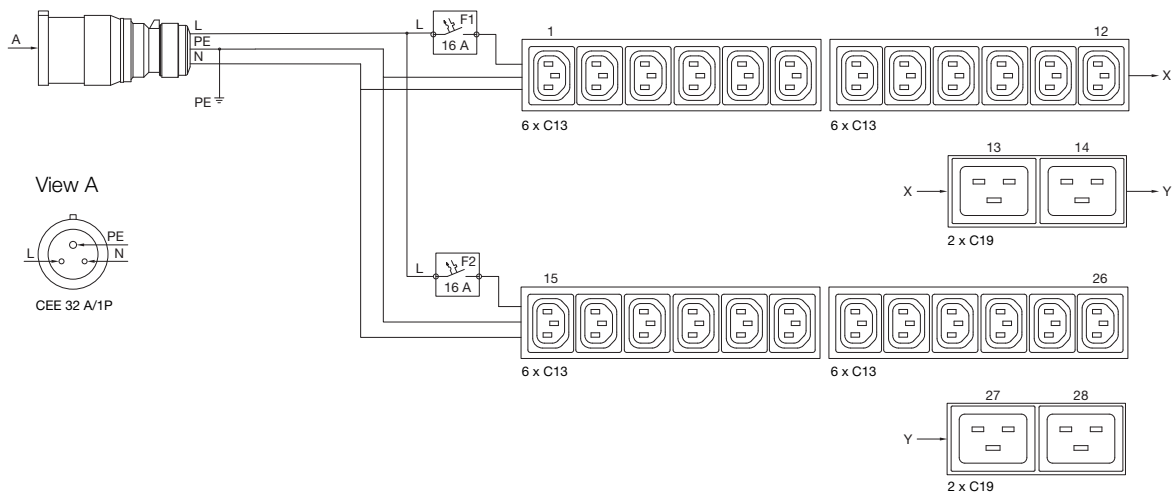
Power Distribution Unit

Basic version

DK 7979.116



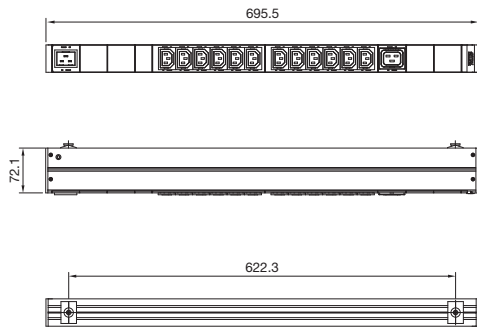
Circuit diagram



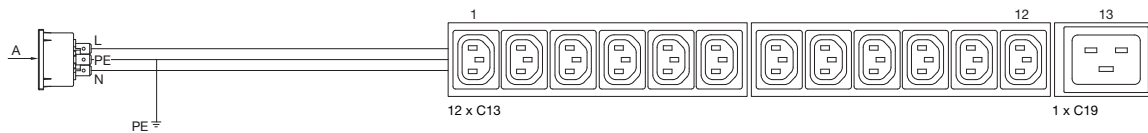
Power Distribution Unit

Basic version

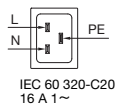
DK 7979.117



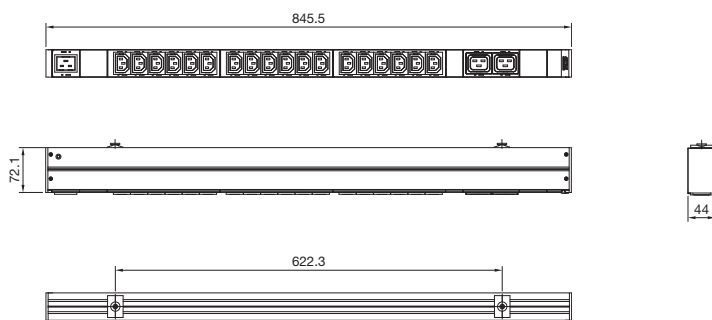
Circuit diagram



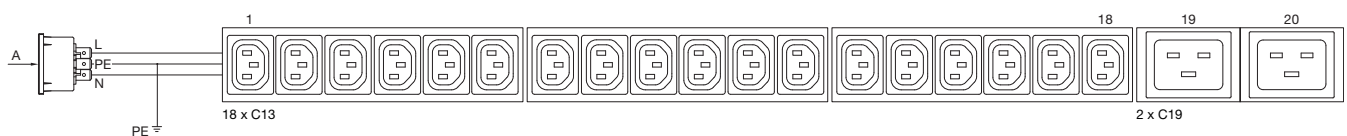
View A



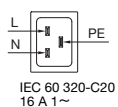
DK 7979.118



Circuit diagram



View A



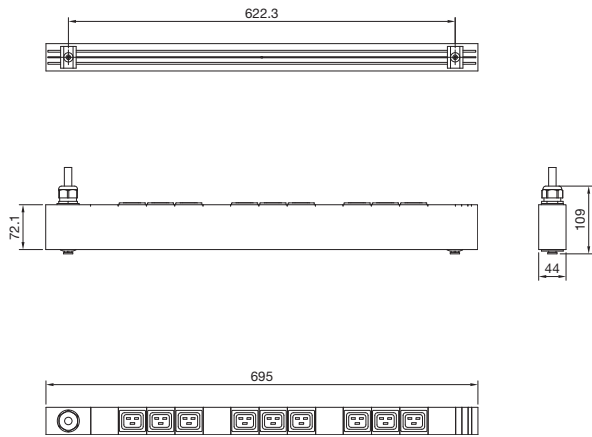
IT Infrastructure

IT power

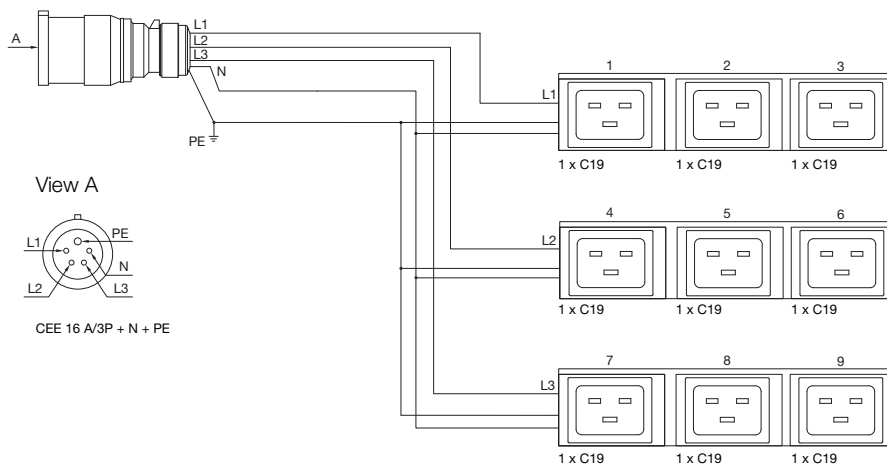
Power Distribution Unit

Basic version

DK 7979.130



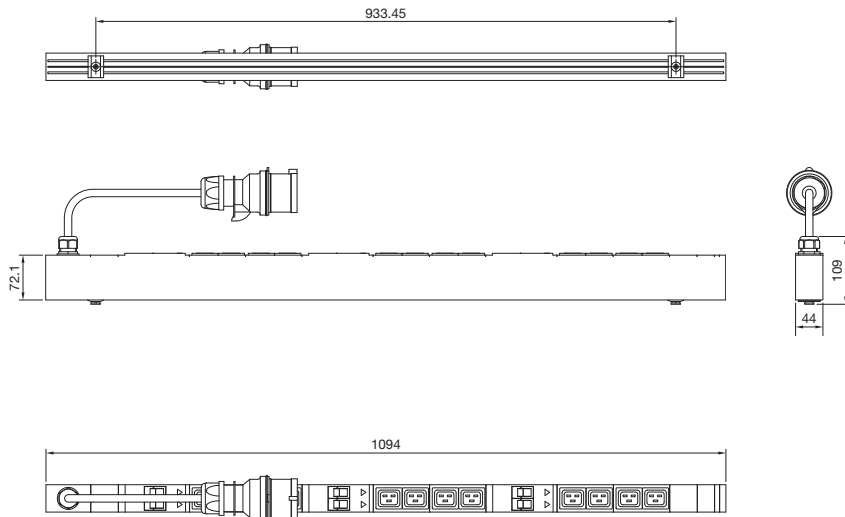
Circuit diagram



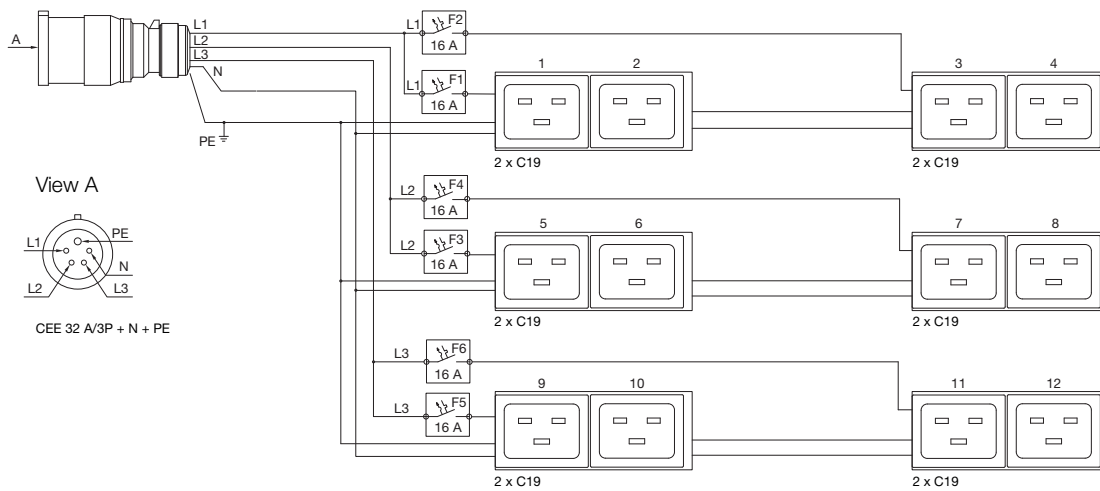
Power Distribution Unit

Basic version

DK 7979.131



Circuit diagram



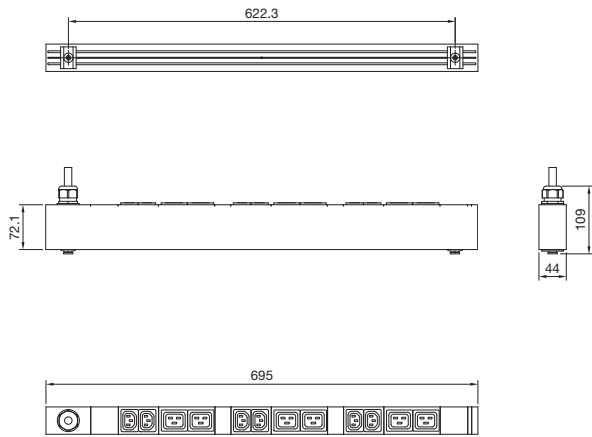
IT Infrastructure

IT power

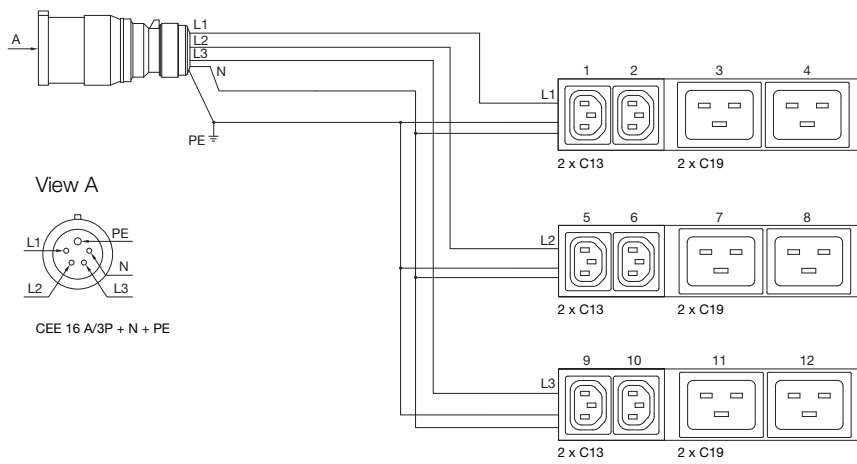
Power Distribution Unit

Basic version

DK 7979.132



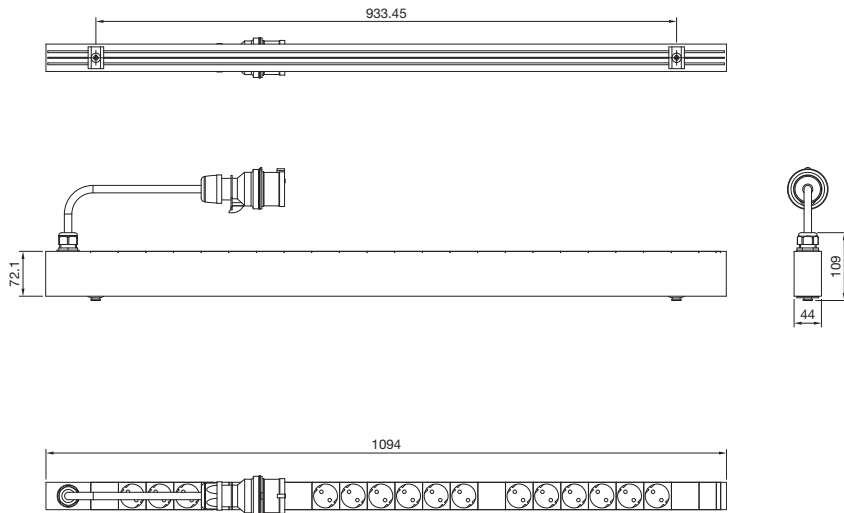
Circuit diagram



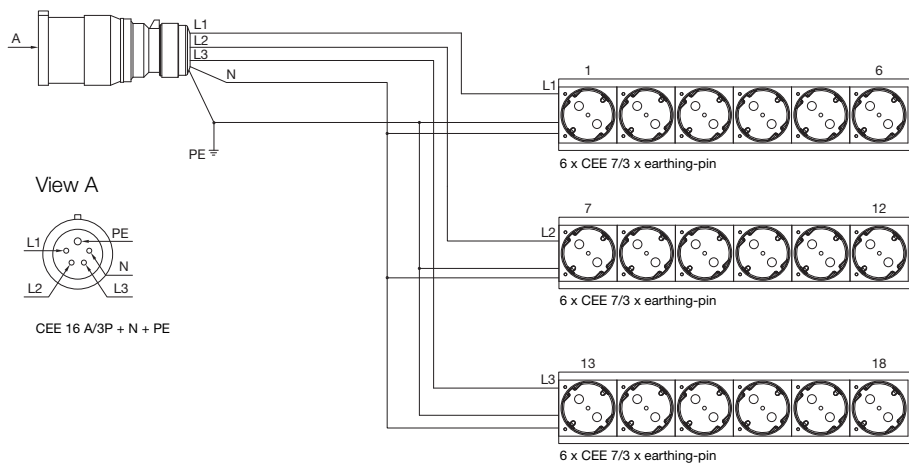
Power Distribution Unit

Basic version

DK 7979.133



Circuit diagram

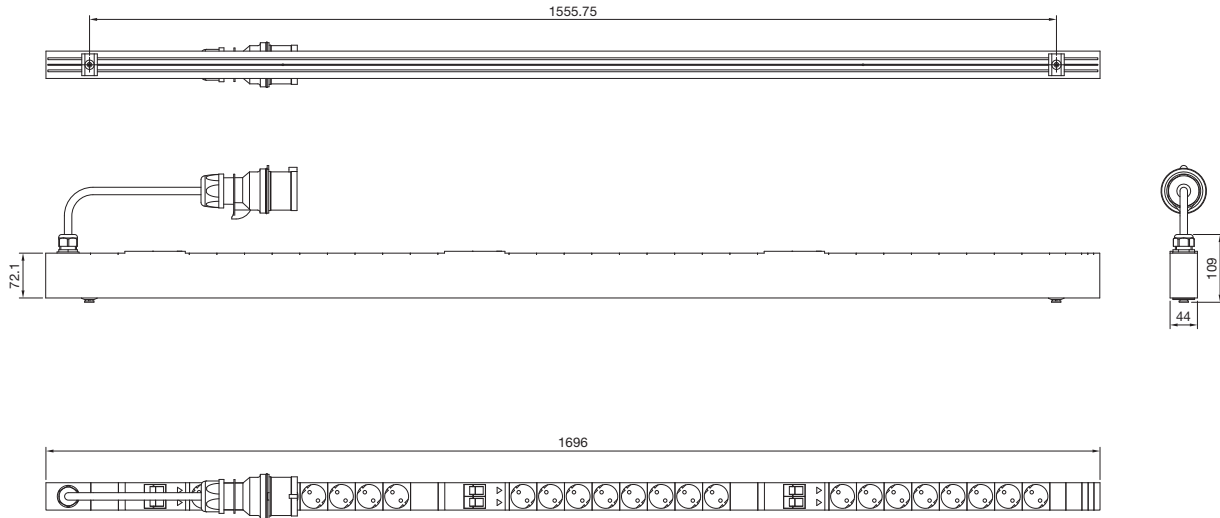


IT power

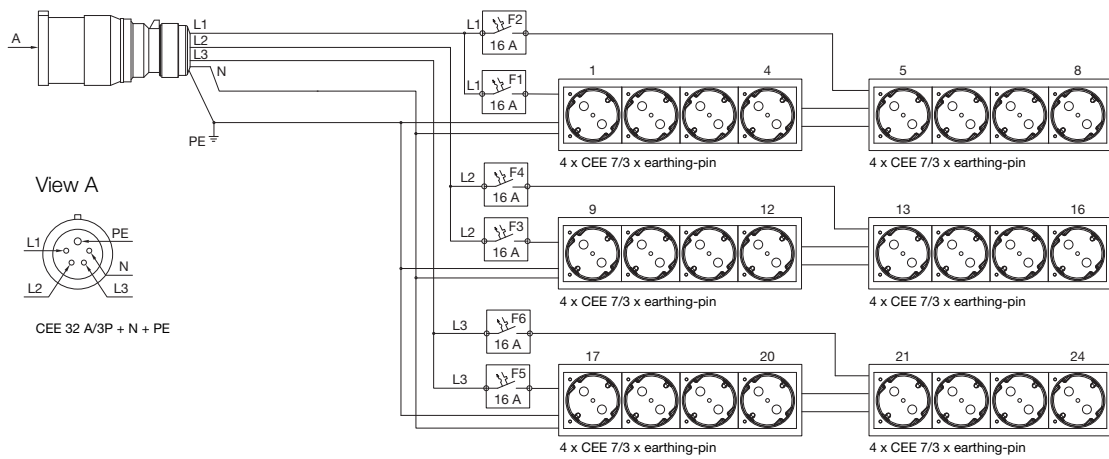
Power Distribution Unit

Basic version

DK 7979.134



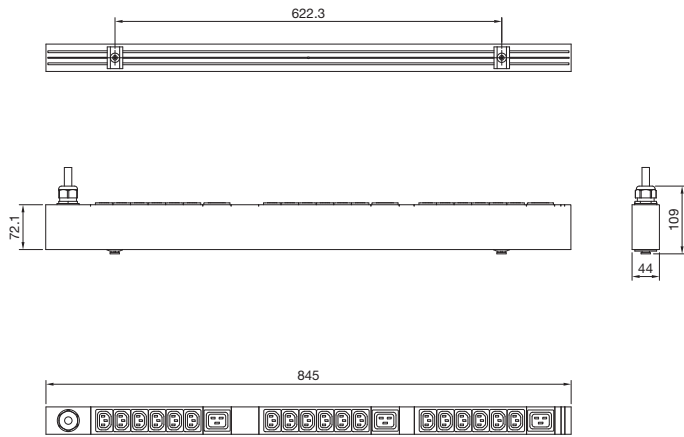
Circuit diagram



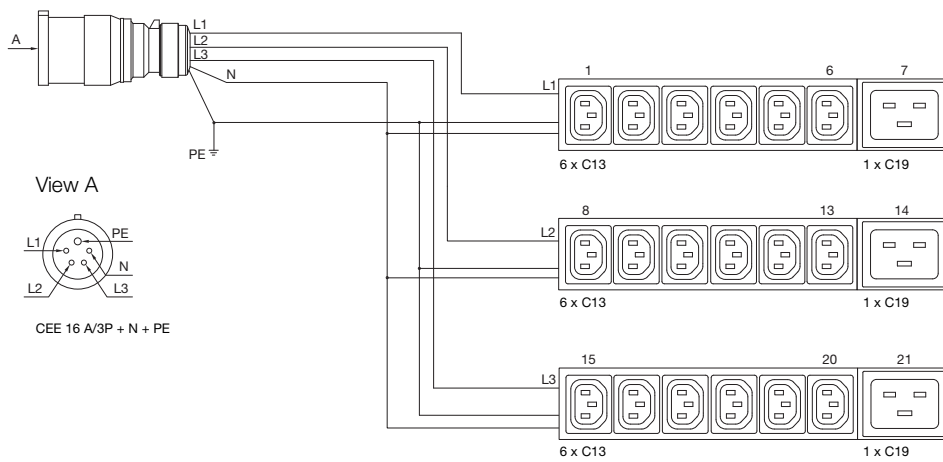
Power Distribution Unit

Basic version

DK 7979.135



Circuit diagram



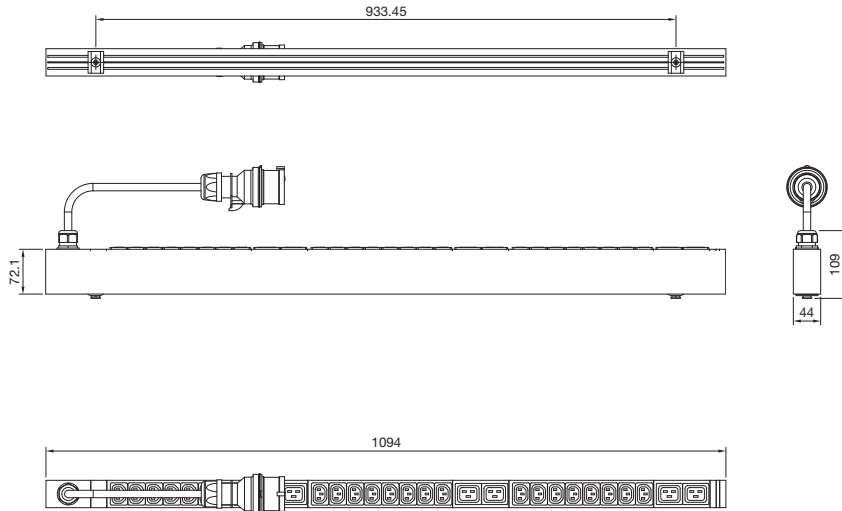
IT Infrastructure

IT power

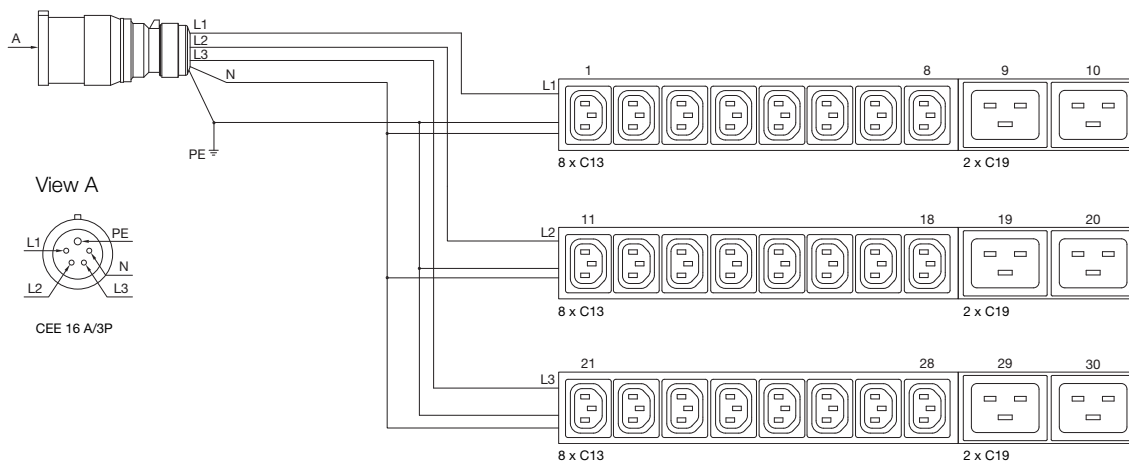
Power Distribution Unit

Basic version

DK 7979.136



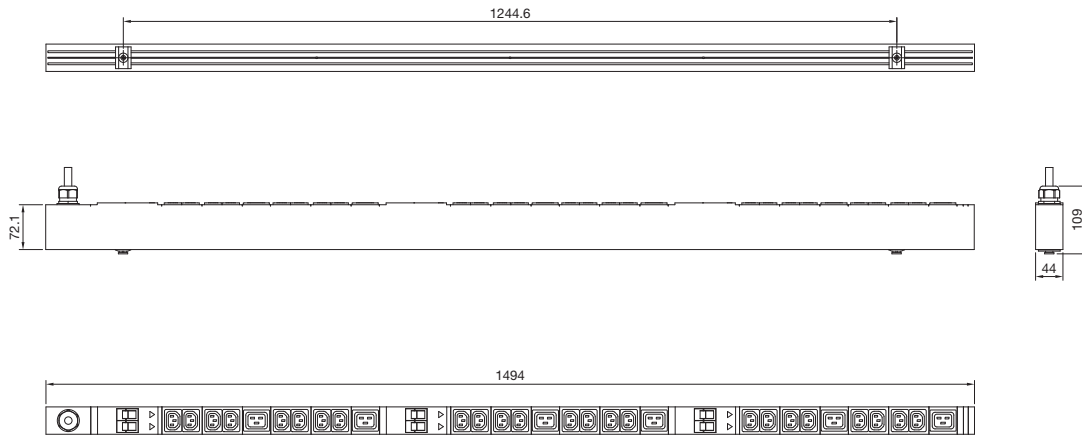
Circuit diagram



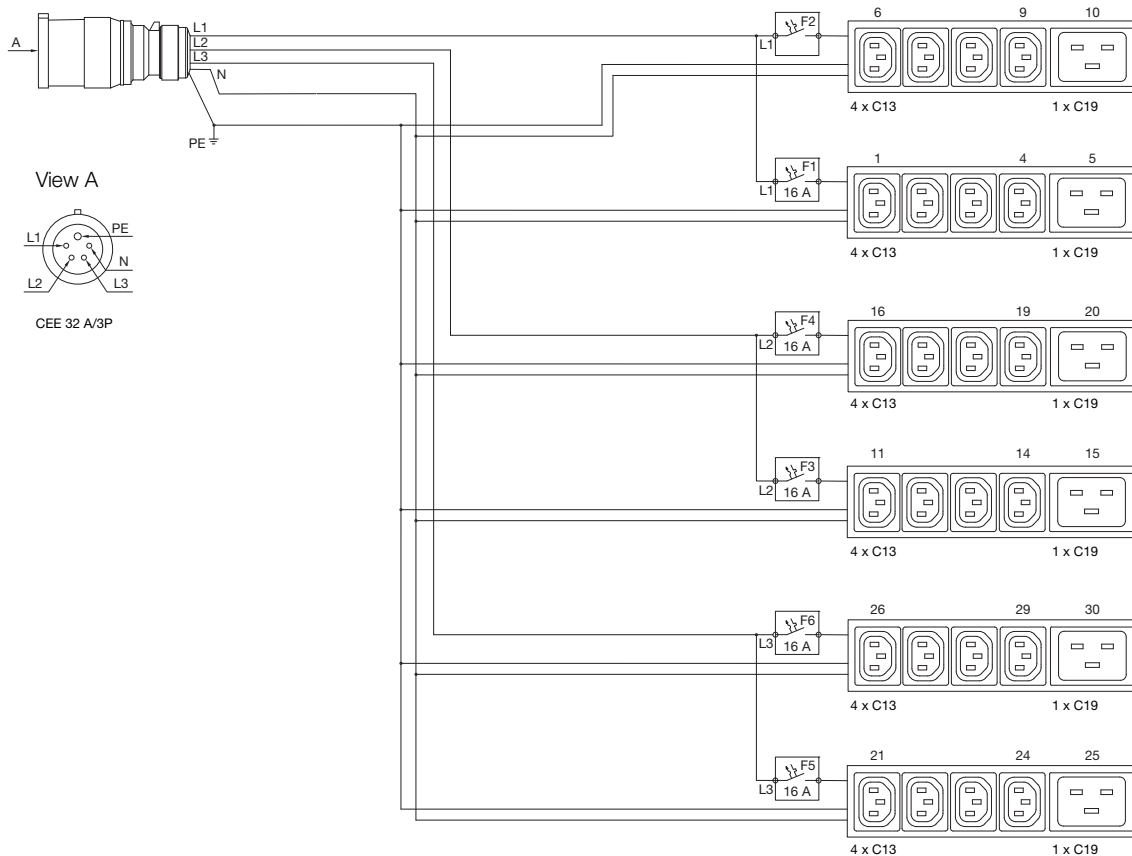
Power Distribution Unit

Basic version

DK 7979.137



Circuit diagram



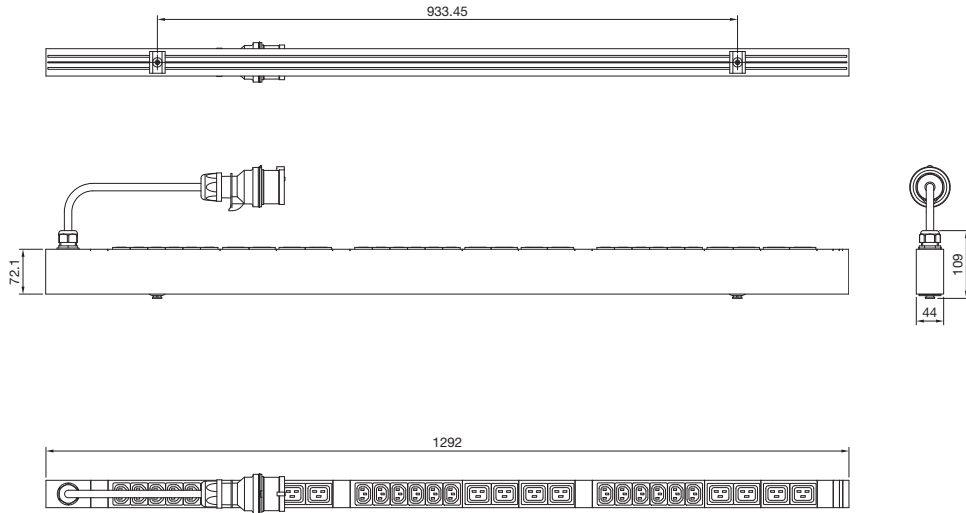
IT Infrastructure

IT power

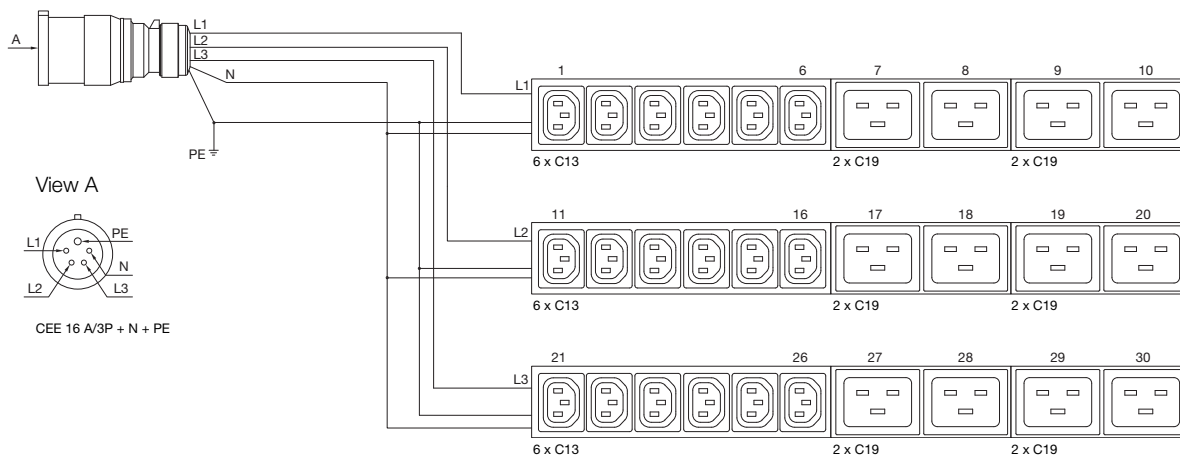
Power Distribution Unit

Basic version

DK 7979.138



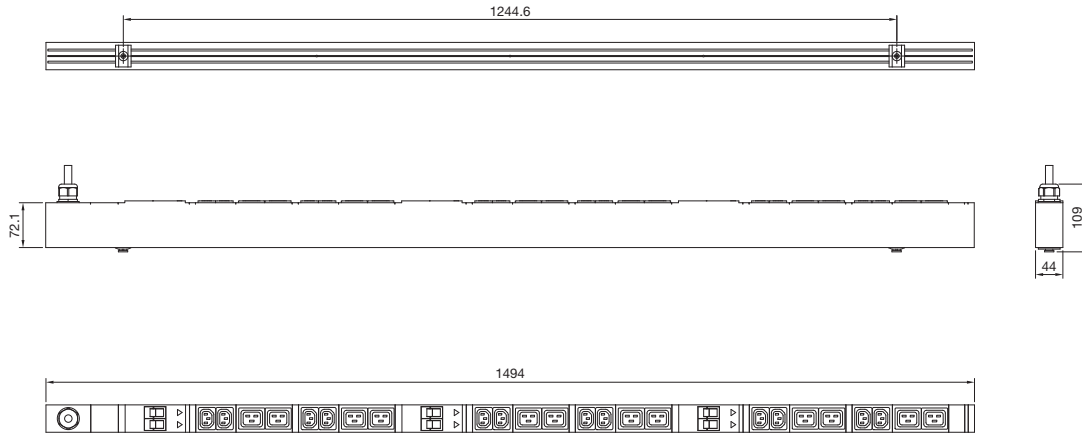
Circuit diagram



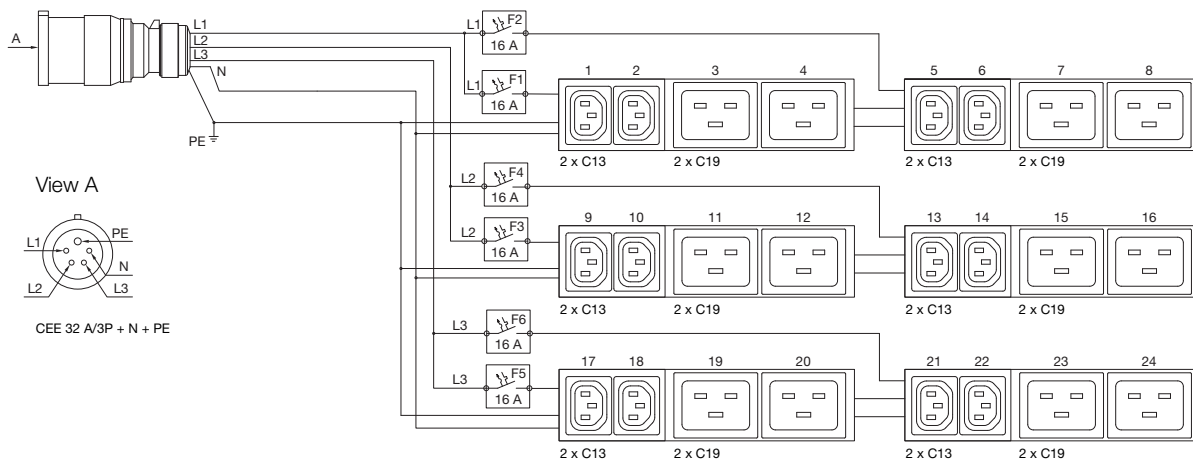
Power Distribution Unit

Basic version

DK 7979.139



Circuit diagram



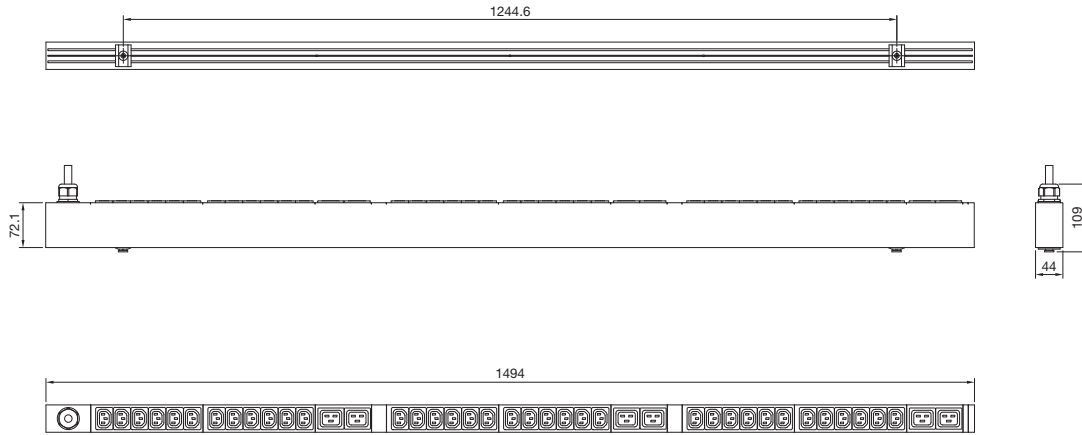
IT Infrastructure

IT power

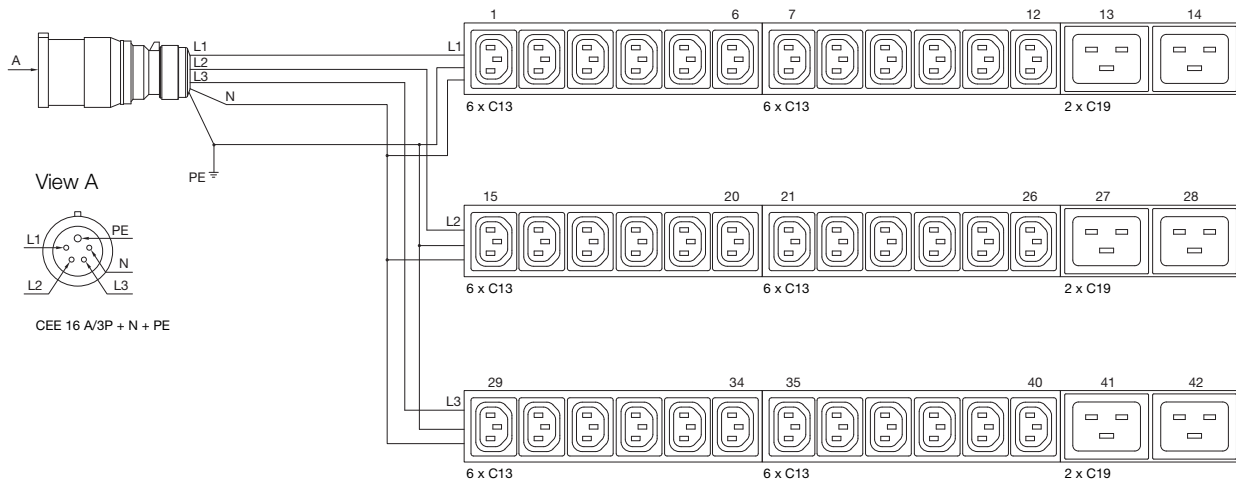
Power Distribution Unit

Basic version

DK 7979.140



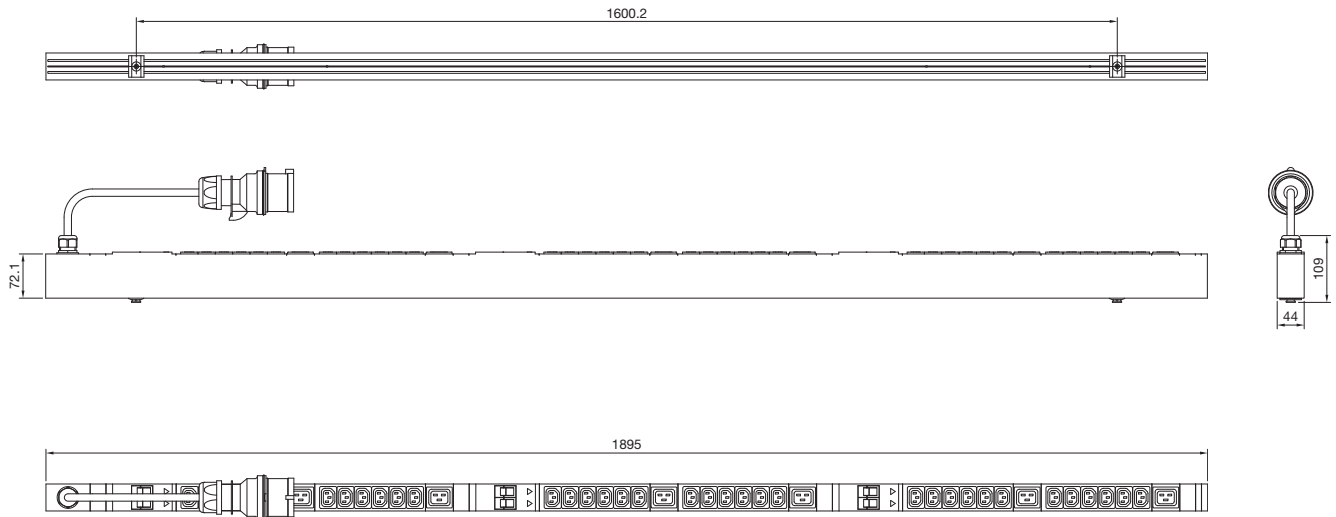
Circuit diagram



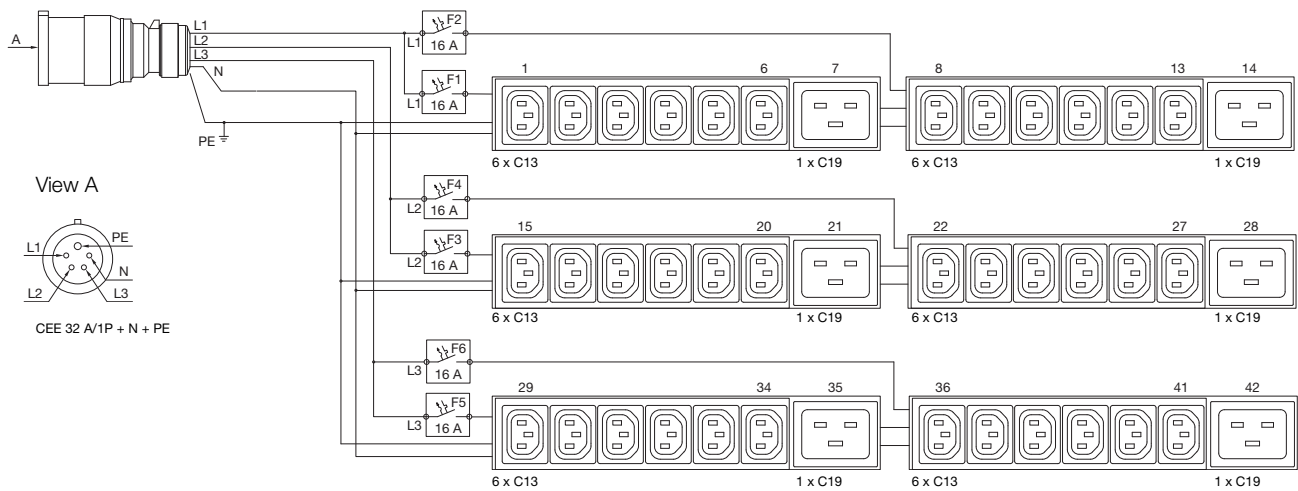
Power Distribution Unit

Basic version

DK 7979.141



Circuit diagram



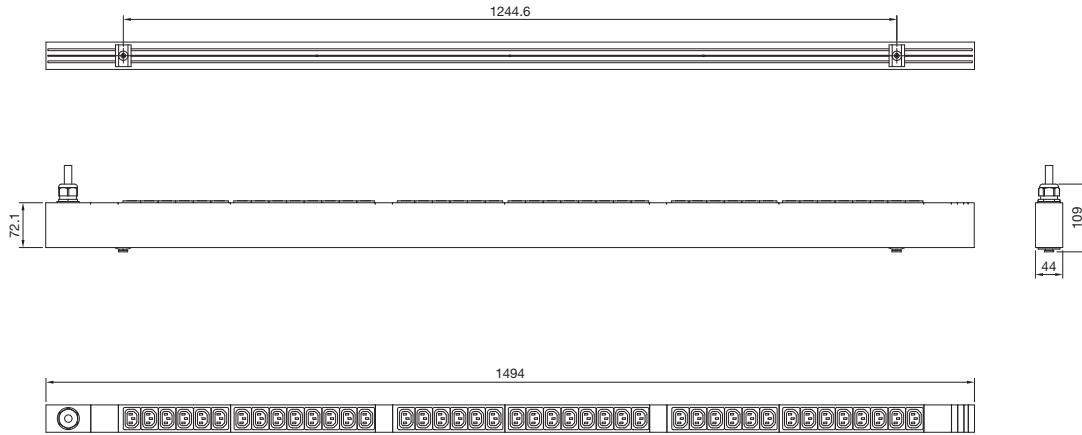
IT Infrastructure

IT power

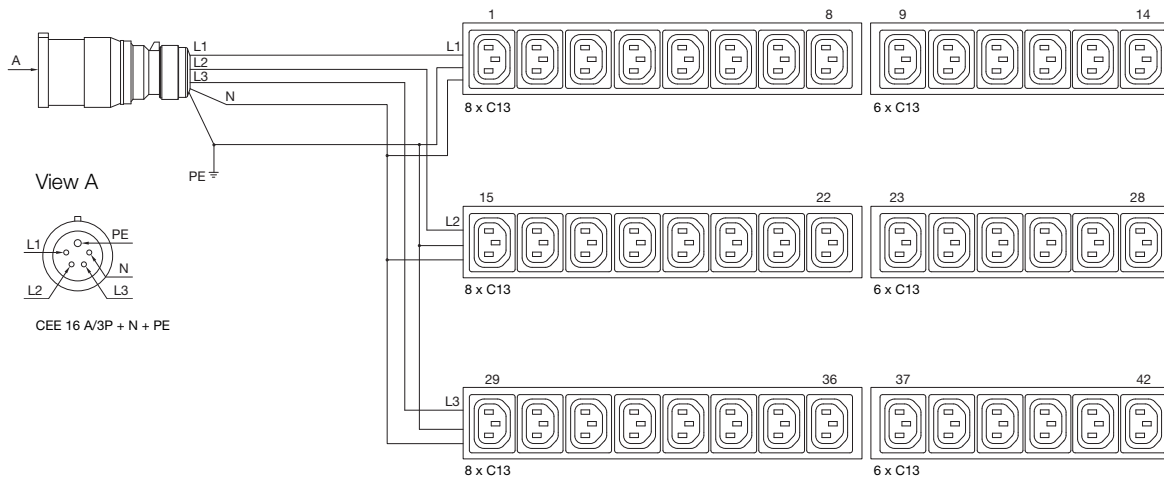
Power Distribution Unit

Basic version

DK 7979.142



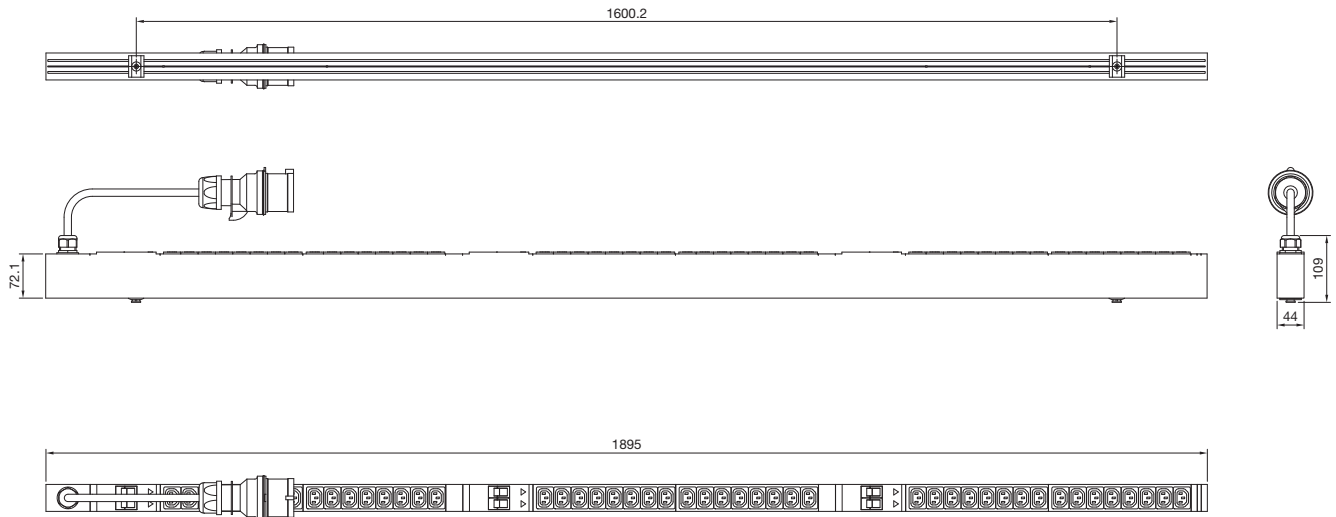
Circuit diagram



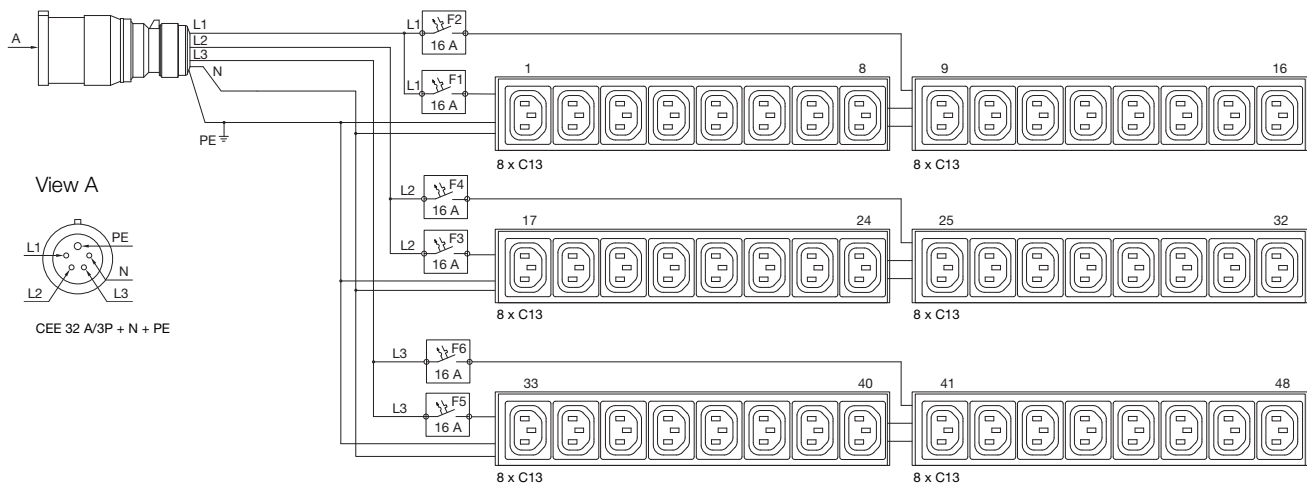
Power Distribution Unit

Basic version

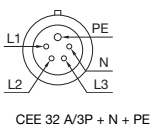
DK 7979.143



Circuit diagram



View A



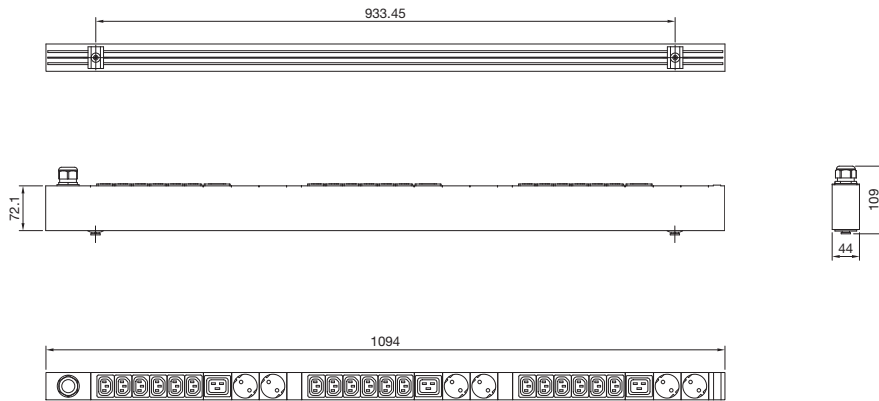
IT Infrastructure

IT power

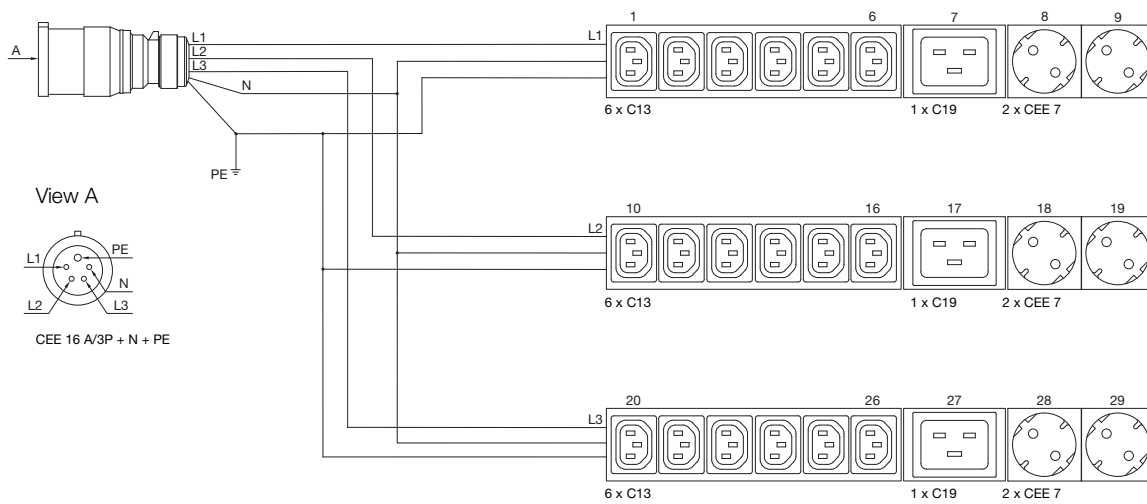
Power Distribution Unit

Basic version

DK 7979.175



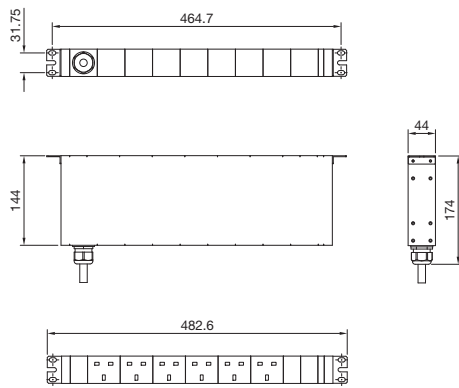
Circuit diagram



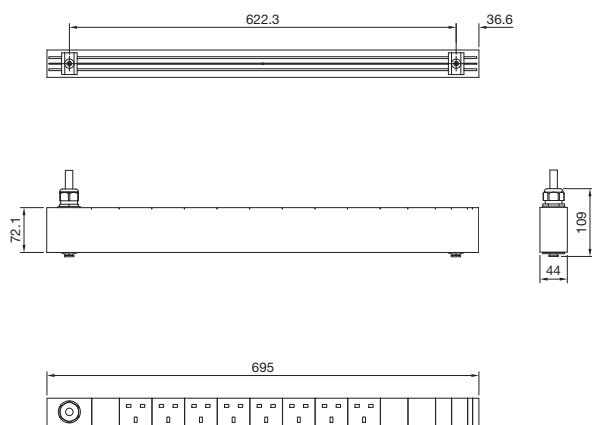
Power Distribution Unit UK

Basic version

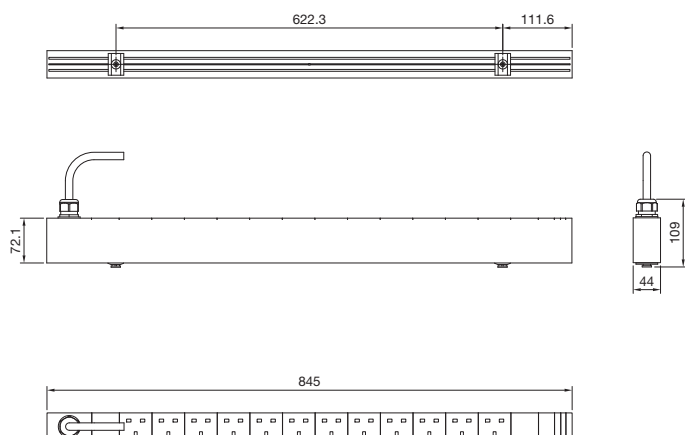
DK 7979.801



DK 7979.811



DK 7979.812



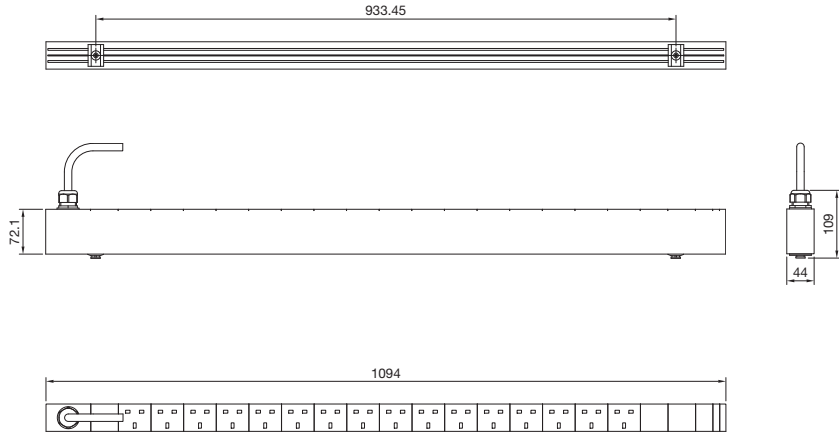
IT Infrastructure

IT power

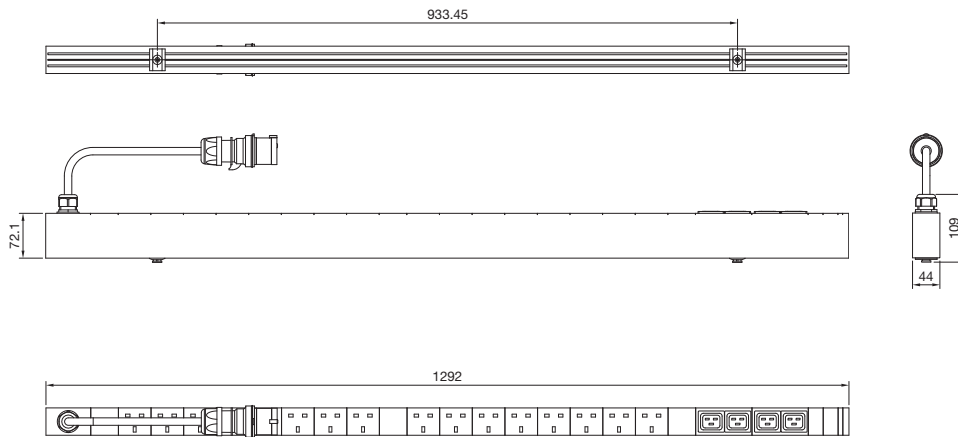
Power Distribution Unit UK

Basic version

DK 7979.813



DK 7979.814



DK 7979.815

