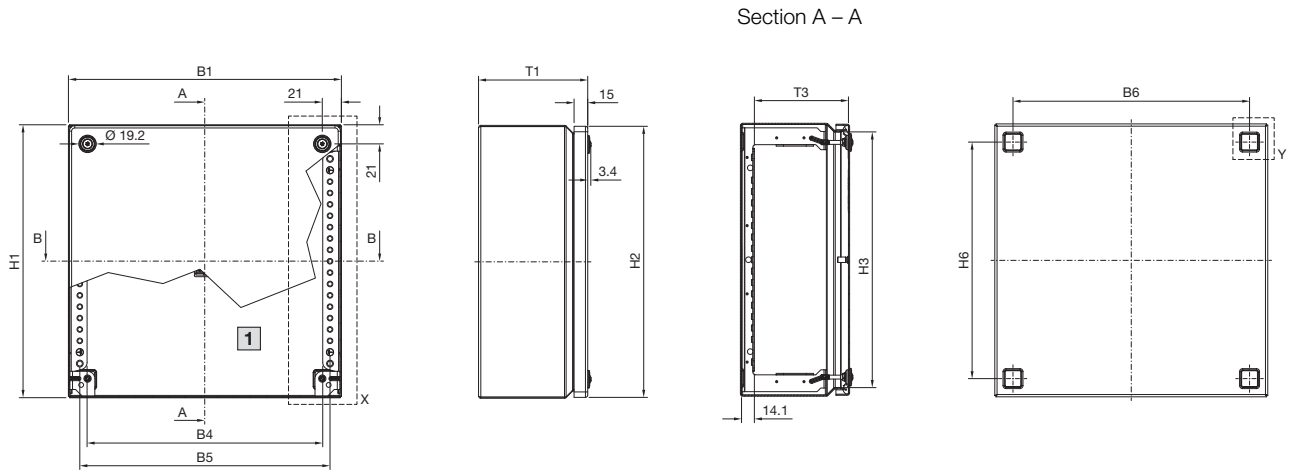


# Small enclosures

## Small enclosures KX, stainless steel

### Terminal boxes KX



1 Internal view

Section B – B

Detail X

#### Enclosure

- B1 = Enclosure width (overall width)
- B2 = Cover width
- B3 = Clearance width, enclosure opening
- B4 = Clearance width between profile strips
- B5 = Distance between axes of the mounting holes in the profile strips
- B6 = Mounting distance, enclosures
- H1 = Enclosure height (overall height)
- H2 = Cover height
- H3 = Clearance height, enclosure opening
- H6 = Mounting distance, enclosures
- H7 = Overall height, 25 mm pitch pattern of holes
- H8 = Clearance of profile strips
- T1 = Overall depth
- T3 = Installation depth (distance from inside of cover to profile strip)
- N = No. of 25 mm pitch patterns of holes

Detail Y

Section C – C

Model No. KX	Width dimensions mm						Height dimensions mm						Depth dimensions mm		
	B1	B2	B3	B4	B5	B6	H1	H2	H3	H6	H7	H8	T1	T3	N
1560.000	150	148	131.1	109.5	125	110	150	148	131.1	110	25	146	80	63.4	2
1561.000	300	298	281.1	259.5	275	260	150	148	131.1	110	25	146	80	63.4	2
1562.000	200	198	181.1	159.5	175	160	200	198	181.1	160	75	196	80	63.4	6
1563.000	300	298	281.1	259.5	275	260	200	198	181.1	160	75	196	80	63.4	6
1564.000	150	148	131.1	109.5	125	110	150	148	131.1	110	25	146	120	103.4	2
1565.000	200	198	181.1	159.5	175	160	200	198	181.1	160	75	196	120	103.4	6
1566.000	300	298	281.1	259.5	275	260	200	198	181.1	160	75	196	120	103.4	6
1567.000	300	298	281.1	259.5	275	260	300	298	281.1	260	175	296	120	103.4	14
1568.000	400	398	381.1	359.5	375	360	200	198	181.1	160	75	196	120	103.4	6
1569.000	400	398	381.1	359.5	375	360	300	298	281.1	260	175	296	120	103.4	14