

1 x

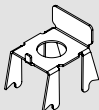


1 x



M5 x 16

1 x



1 x



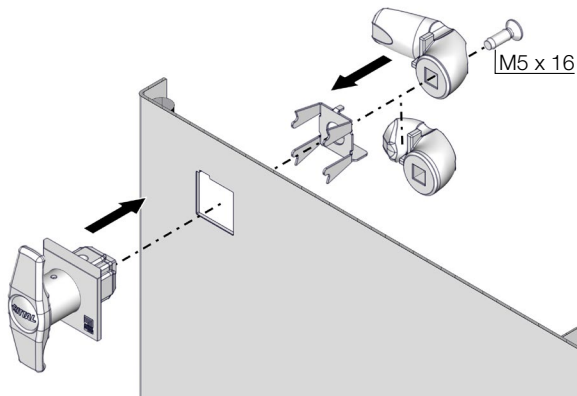
AX Compact enclosure

1 x



KX E-Box

TX25



$M_A = 1 + 0,5 \text{ Nm}$

TX 25

