

1 x



1 x



M5 x 16

1 x



1 x



AX Compact  
enclosure

1 x



KX E-Box

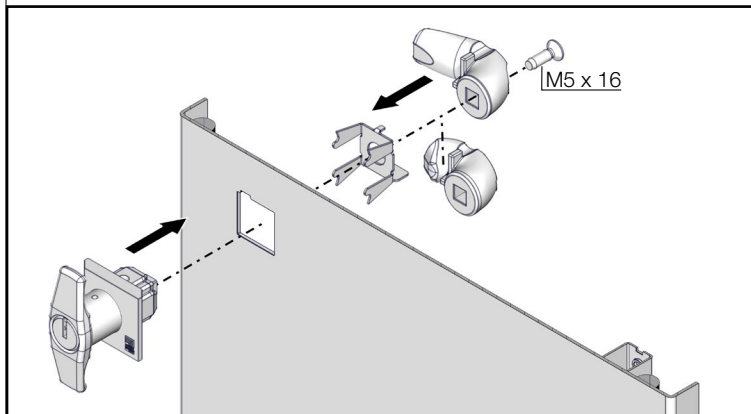
1 x



Dok.-Nr. / No of doc.: D-0000-00003675-00  
Versandbeutel-Nr. / No. of accessory bag:

Country of origin:  
Lieferanten-Nr. / No. of supplier:

TX25



$M_A = 1 + 0,5 \text{ Nm}$

TX 25

