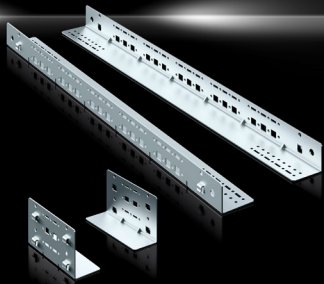


Rittal – The System.

Faster – better – everywhere.

Gleitschiene, Festeinbau
Slide rail, static installation
Glissière, fixe



DK 5501.400

DK 5501.410

DK 5501.420

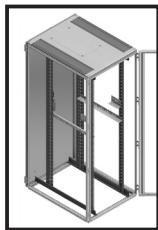
DK 5501.430





DK 5501.440

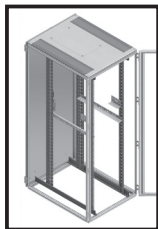
DK 5501.450

Montage- und Bedienungsanleitung
Assembly and operating instructions
Notice d'emploi et de montage

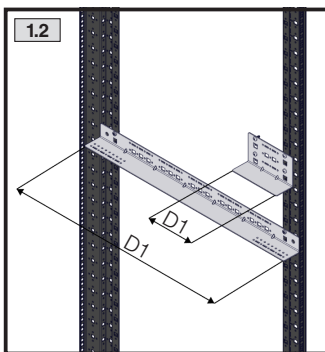
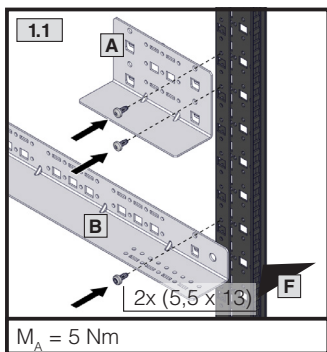
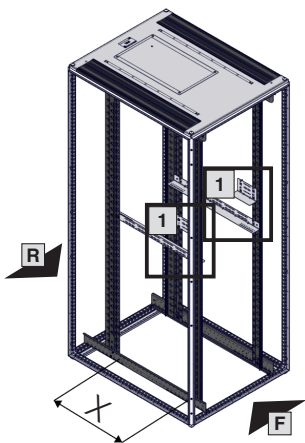




| | | X mm | D1 mm |  F [N] | |
|---|----------|---------|----------|---|-----------------|
| Best.-Nr. TS Model No. TS Référence TS | A | – | 150 | ↓ 300 | 5501.400 |
| | B | 345 | 275 | ↓ 800 | 5501.410 |
| | | 445 | 375 | ↓ 800 | 5501.420 |
| | | 545 | 475 | ↓ 800 | 5501.430 |
| | | 645 | 575 | ↓ 800 | 5501.440 |
| | | 745 | 675 | ↓ 800 | 5501.450 |
|  | A | | | | 2 x |
|  | B | | | | 2 x |
|  | | | 5,5 x 13 | 4 x | |



TX30



Rittal – The System.

Faster – better – everywhere.

- Enclosures
- Power Distribution
- Climate Control
- IT Infrastructure
- Software & Services

You can find the contact details of all
Rittal companies throughout the world here.



www.rittal.com/contact

RITTAL GmbH & Co. KG
Postfach 1662 · D-35726 Herborn
Phone +49(0)2772 505-0 · Fax +49(0)2772 505-2319
E-mail: info@rittal.de · www.rittal.com

11.2023/D-0000-00001974-01

ENCLOSURES

POWER DISTRIBUTION

CLIMATE CONTROL

IT INFRASTRUCTURE

SOFTWARE & SERVICES

