



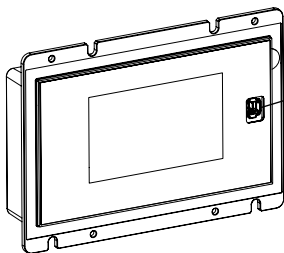
Verpackungsdatum
date of packing



SK
3314.030



www.rittal.com



USB Micro B

1x

4x



M3

1x



PE AWG 1/14

For following Rittal Products:

LCP Rack / Inline CW

SK3314.130/230/238/250/260/268/530/538/540/542/548/560/568/570

LCP Rear Door CW Active-Module SK3314.020/025

This is a generic quick-installation guide. For detailed information refer to the user manual of the specific unit.

Dok.-Nr. / No. of doc.: D-0000-00003510-01

Country of origin:

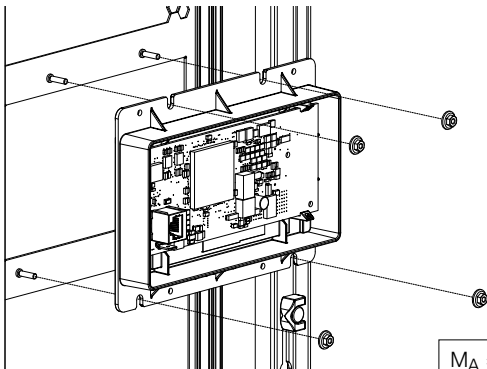
RITTAL GmbH & Co. KG, Auf dem Stuetzelberg, 35745 Herborn
RITTAL Limited, Braithwell Way, Hellaby, Rotherham, S66 8QY, UK

DIN A5, doppelseitig
DIN A5, double sheet



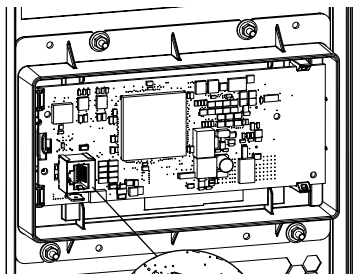
Remove
Display Punch-Out
in the door to install
the Display.

1

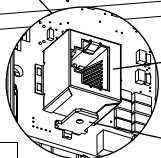


2

$M_A = 0,5 \text{ Nm}$ SW 5,5

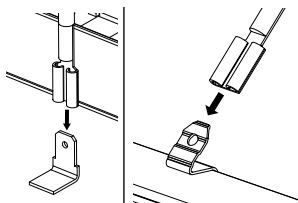


Connect the pre-assembled display
cable and the earthing cable to the
display. The earthing cable needs
to be connected to the earthing
connector on the device.



For data cable

For earthing cable



Depends on device

3

RJ 12