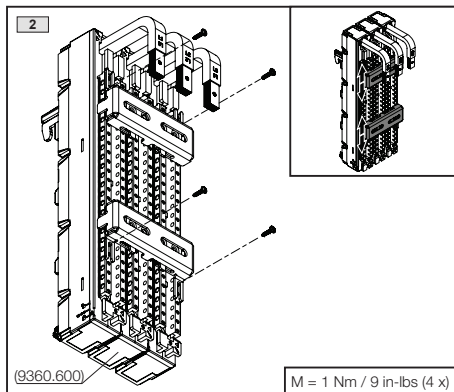
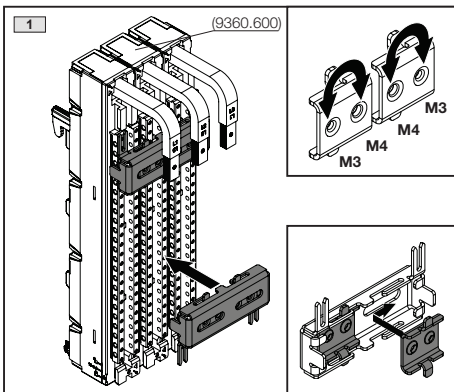


TX8



Verpackungsdatum
date of packing



www.rittal.com

QR-Code
gemäß
RIINT-00009

RX

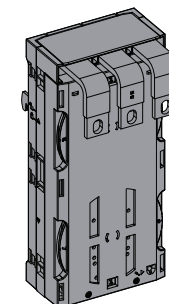
9360.525

9360.535

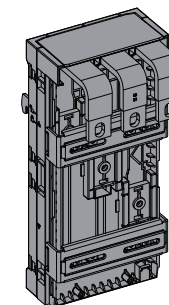
9360.625

9360.635

1 x



9360.525
9360.535



9360.625
9360.635

Best.-Nr. Model No. Référence	Typ Type Type
9360.525	CB-Geräteadapter 400 A, Easy-fix 140 mm, 3P Circuit-breaker component adaptor 400 A, Easy-fix 140 mm, 3P Adaptateur de disjoncteur 400 A – Easy-fix 140 mm – 3P
9360.535	CB-Geräteadapter 630 A, Easy-fix 140 mm, 3P Circuit-breaker component adaptor 630 A, Easy-fix 140 mm, 3P Adaptateur de disjoncteur 630 A – Easy-fix 140 mm – 3P
9360.625	CB-Geräteadapter 400 A, Universal-fix 140 mm, 3P Circuit-breaker component adaptor 400 A, Universal-fix 140 mm, 3P Adaptateur de disjoncteur 400 A – Universal-fix 140 mm – 3P
9360.635	CB-Geräteadapter 630 A, Universal-fix 140 mm, 3P Circuit-breaker component adaptor 630 A, Universal-fix 140 mm, 3P Adaptateur de disjoncteur 630 A – Universal-fix 140 mm – 3P

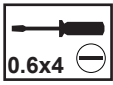
Dok.-Nr. / No. of doc.: D-0000-00003940-00
Versandbeutel-Nr. / No. of accessory bag: –

Country of origin:
Lieferanten-Nr. / No. of supplier:

RITTAL GmbH & Co. KG, Auf dem Stuetzelberg, 35745 Herborn
RITTAL Limited, Braithwell Way, Hellaby, Rotherham, S66 8QY, UK

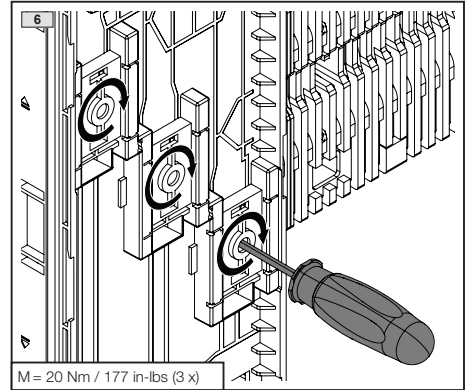
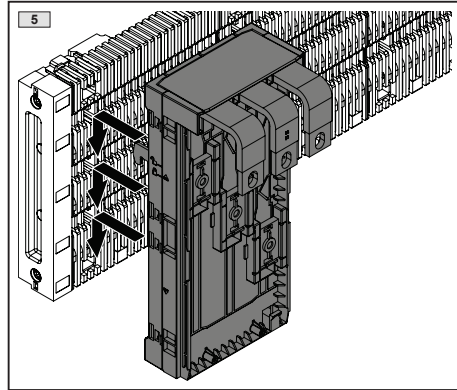
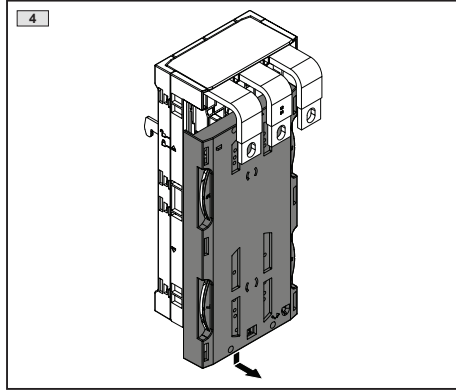
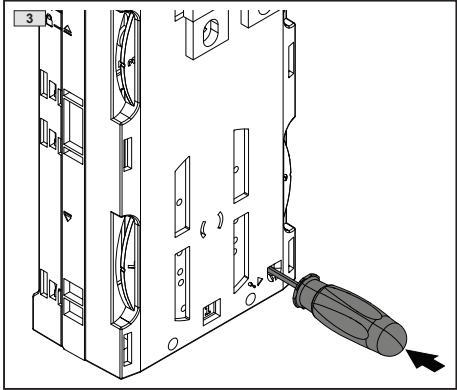
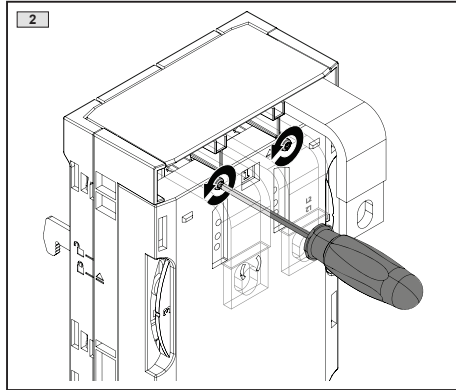
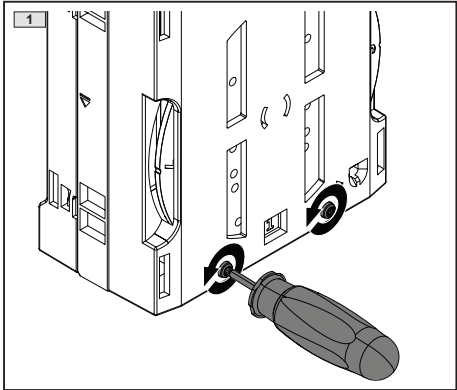
DIN A3, doppelseitig, gefaltet auf DIN A4
DIN A3, double sheet, folded to DIN A4

TX20

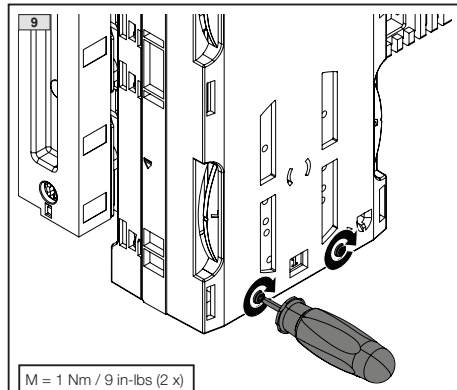
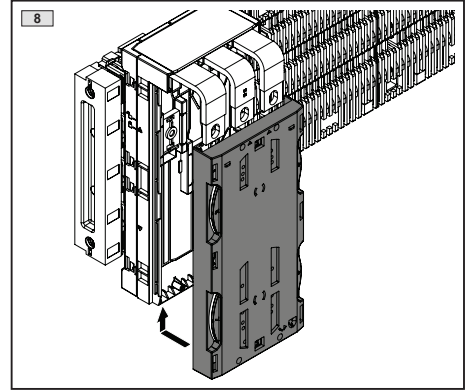
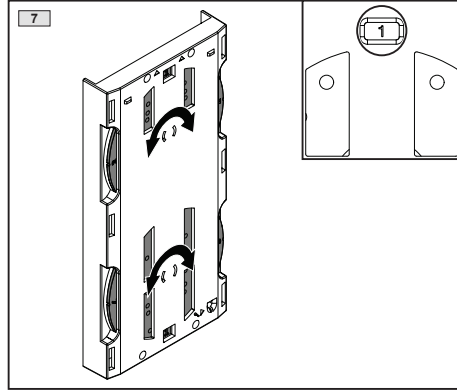


TX20

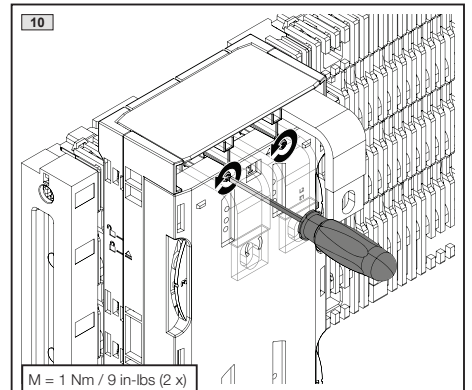
TX30



M = 20 Nm / 177 in-lbs (3 x)



M = 1 Nm / 9 in-lbs (2 x)



M = 1 Nm / 9 in-lbs (2 x)