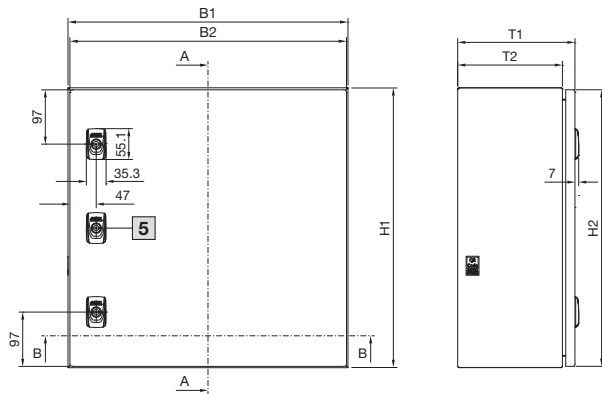
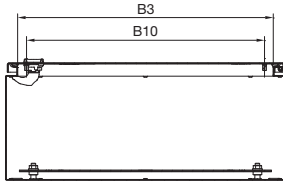


# Compact enclosures

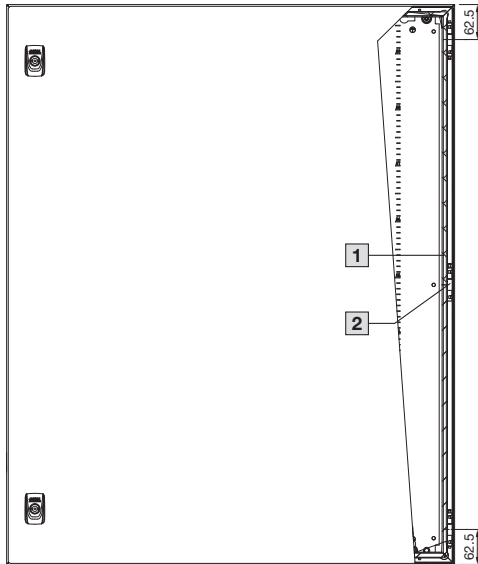
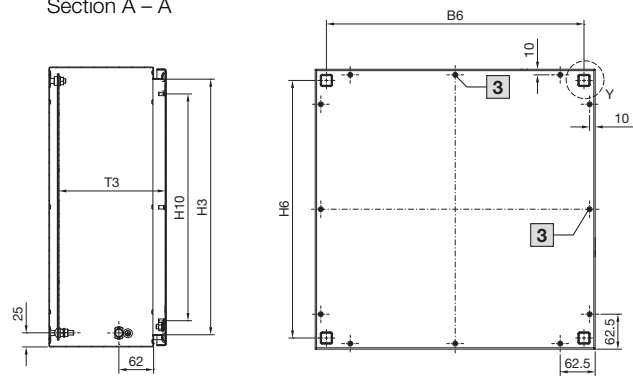
## Compact enclosures AX, stainless steel

### Basic enclosure AX with cam lock, single-door

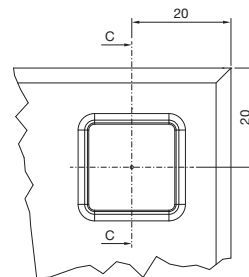
Section B – B



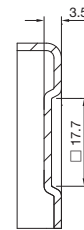
Section A – A



Detail Y



Section C – C



- 1 Door interior view
- 2 Central hinge, only where  $H1 > 800$  mm
- 3 Integrated central locators, only where  $B1/H1 \geq 500$  mm
- 4 Not applicable to  $B1 = 300$  mm
- 5 Only one cam lock in the centre for AX 1003.000, AX 1005.000, AX 1006.000, AX 1009.000, AX 1011.000, AX 1302.000, AX 1303.000
- 6 Type 2:  $t = 2.0$  mm  
Type 3:  $t = 2.5$  mm

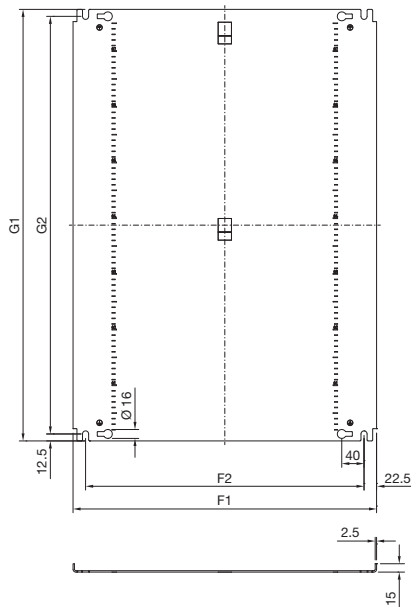
# Compact enclosures

## Compact enclosures AX, stainless steel

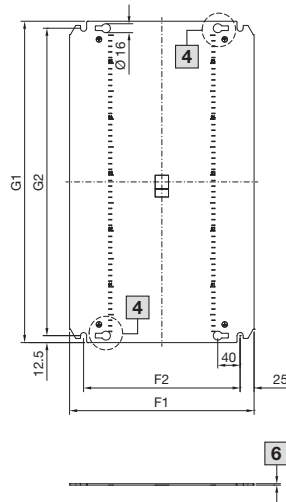
### Basic enclosure AX

with cam lock, single-door

Mounting plate type 1,  
with edge fold



Mounting plate type 2 and 3,  
without edge fold



### Enclosure

- B1 = Enclosure width (overall width)
- B2 = Door width
- B3 = Clearance width, enclosure opening
- B6 = Mounting distance, enclosures
- B10 = Distance between threaded bolts
- H1 = Enclosure height (overall height)
- H2 = Door height
- H3 = Clearance height, enclosure opening
- H6 = Mounting distance, enclosures
- H10 = Distance between threaded bolts
- T1 = Overall depth
- T2 = Enclosure depth
- T3 = Installation depth (distance from inside of door to mounting plate)

### Mounting plate

- F1 = Mounting plate width
- F2 = Centre-to-centre spacing of the attachment holes
- G1 = Mounting plate height
- G2 = Centre-to-centre spacing of the attachment holes

Model No. AX	Width dimensions mm					Height dimensions mm					Depth dimensions mm			Mounting plates mm				
	B1	B2	B3	B6	B10	H1	H2	H3	H6	H10	T1	T2	T3	F1	F2	G1	G2	Type
1003.000	300	294	256.5	260	225	300	294	256.5	260	205	210	187.0	190.7	250	200	275	250	2
1005.000	300	294	256.5	260	225	380	374	336.5	340	285	210	187.0	190.7	250	200	355	330	2
1006.000	380	374	336.5	340	305	380	374	336.5	340	285	210	187.0	190.7	330	280	355	330	2
1007.000	500	494	456.5	460	425	500	494	456.5	460	405	210	187.0	190.7	450	400	475	450	3
1008.000	380	374	336.5	340	305	600	594	556.5	560	505	210	187.0	190.7	330	280	575	550	3
1009.000	600	594	556.5	560	525	380	374	336.5	340	285	210	187.0	190.7	550	500	355	330	3
1010.000	600	594	556.0	560	525	600	594	556.0	560	505	210	187.5	190.7	550	500	575	550	3
1011.000	380	374	336.5	340	305	300	294	256.5	260	205	210	187.0	190.7	330	280	275	250	2
1012.000	600	595	556.0	560	525	760	755	716.5	720	665	210	187.5	190.7	550	500	735	710	2
1013.000	500	494	456.5	460	425	500	494	456.5	460	405	300	277.0	280.7	450	400	475	450	3
1014.000	760	755	716.0	720	685	760	755	716.0	720	665	300	277.5	280.7	705	660	735	710	1
1015.000	400	394	356.5	360	325	500	494	456.5	460	405	210	187.0	190.7	350	300	475	450	2
1016.000	800	795	756.0	760	725	1000	995	956.0	960	905	300	277.5	280.7	745	700	975	950	1
1302.000	300	294	256.0	260	225	380	374	336.0	340	285	210	187.5	190.7	250	200	355	330	2
1303.000	380	374	336.0	340	305	380	374	336.0	340	285	210	187.5	190.7	330	280	355	330	2
1304.000	600	594	556.0	560	525	600	594	556.0	560	505	210	187.5	190.7	550	500	575	550	3

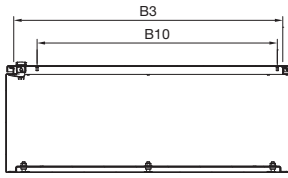
# Compact enclosures

## Compact enclosures AX, stainless steel

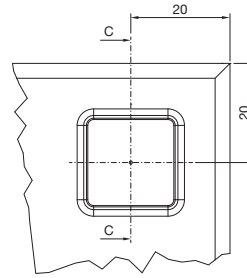
### Basic enclosure AX

with 3-point locking system, single-door

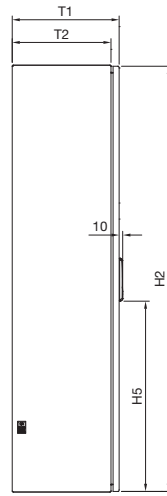
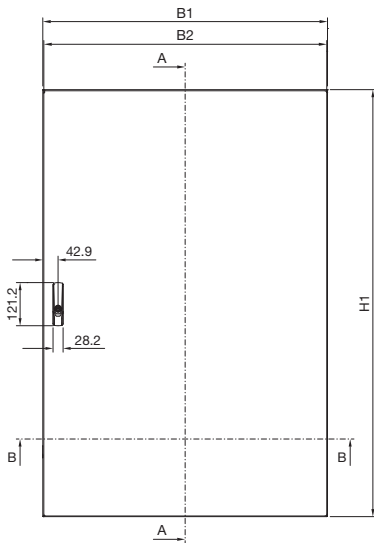
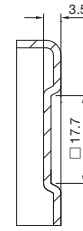
Section B – B



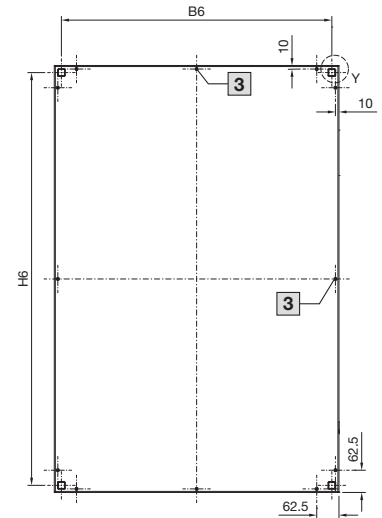
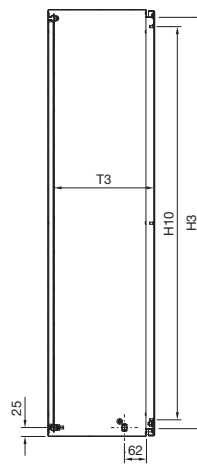
Detail Y



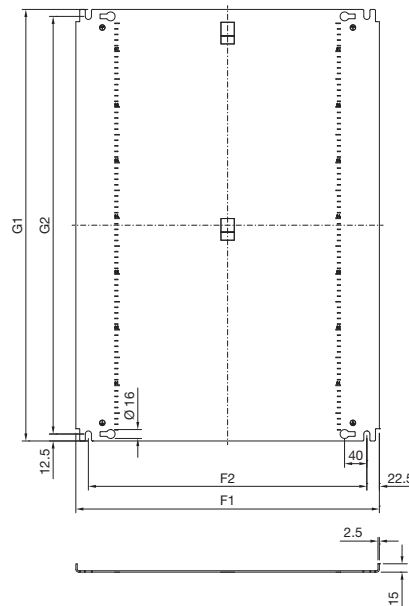
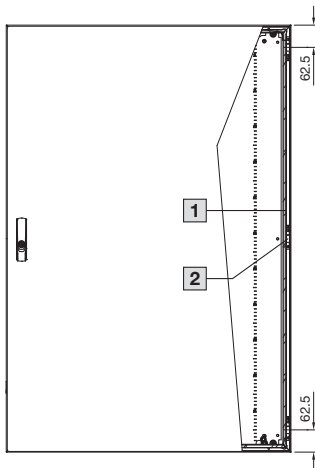
Section C – C



Section A – A



Mounting plate type 1, with edge fold



#### Enclosure

- B1 = Enclosure width (overall width)
- B2 = Door width
- B3 = Clearance width, enclosure opening
- B6 = Mounting distance, enclosures
- B10 = Distance between threaded bolts
- H1 = Enclosure height (overall height)
- H2 = Door height
- H3 = Clearance height, enclosure opening
- H5 = Bottom edge of door to bottom edge of lock plate
- H6 = Mounting distance, enclosures
- H10 = Distance between threaded bolts
- T1 = Overall depth
- T2 = Enclosure depth
- T3 = Installation depth (distance from inside of door to mounting plate)

#### Mounting plate

- F1 = Mounting plate width
- F2 = Centre-to-centre spacing of the attachment holes
- G1 = Mounting plate height
- G2 = Centre-to-centre spacing of the attachment holes

- 1 Door interior view
- 2 Central hinge, only where H1 > 800 mm
- 3 Integrated central locators, only where B1/H1 ≥ 500 mm

Model No. AX	Width dimensions mm					Height dimensions mm						Depth dimensions mm			Mounting plates mm				
	B1	B2	B3	B6	B10	H1	H2	H3	H5	H6	H10	T1	T2	T3	F1	F2	G1	G2	Type
1017.000	800	795	756	760	675	1200	1195	1156	534.7	1160	1105	300	277.5	280	545	500	775	750	1

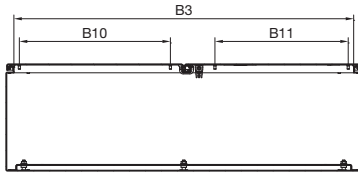
# Compact enclosures

## Compact enclosures AX, stainless steel

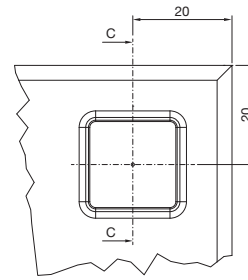
### Basic enclosure AX

with cam lock, double-door  
with 3-point lock system, double-door

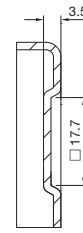
Section B – B



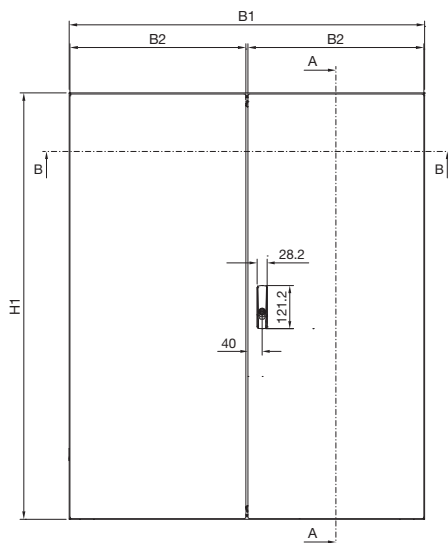
Detail Y



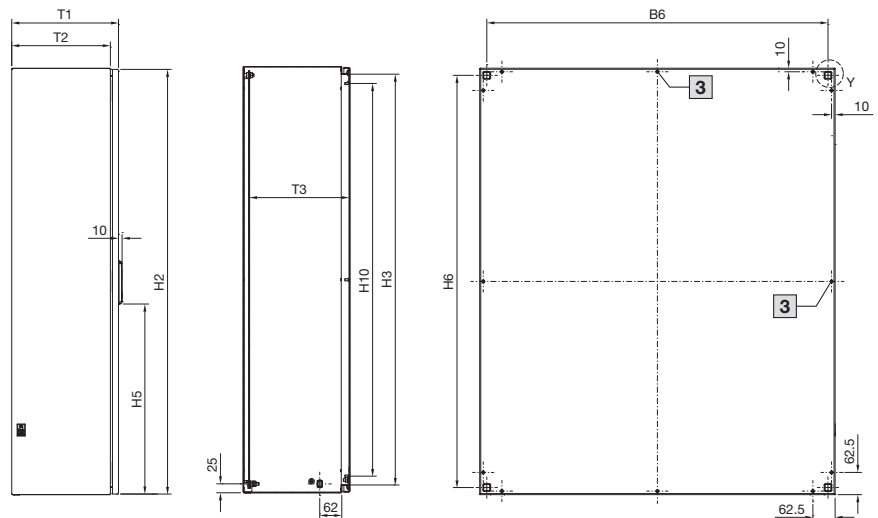
Section C – C



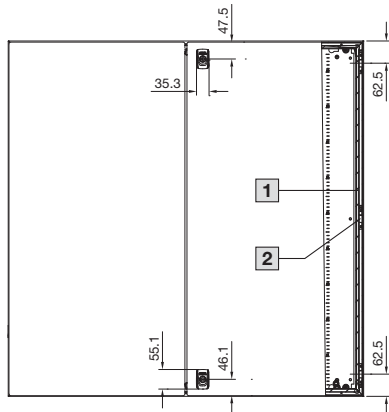
With 3-point lock system where  $H1 > 1000$  mm



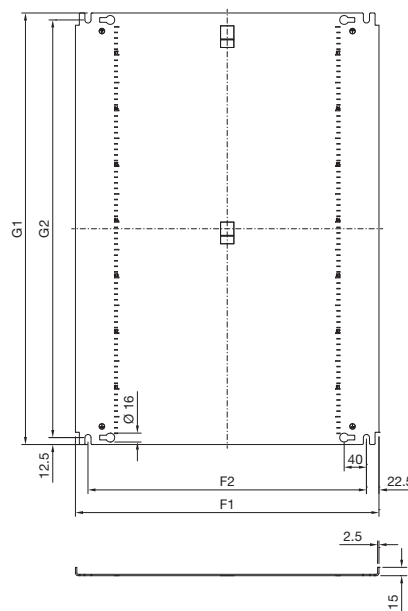
Section A – A



With cam lock where  $H1 \leq 1000$  mm



Mounting plate type 1, with edge fold



#### Enclosure

- B1 = Enclosure width (overall width)
- B2 = Door width
- B3 = Clearance width, enclosure opening
- B6 = Mounting distance, enclosures
- B10 = Distance between threaded bolts, adjacent door
- B11 = Distance between threaded bolts, locked door
- H1 = Enclosure height (overall height)
- H2 = Door height
- H3 = Clearance height, enclosure opening
- H5 = Bottom edge of door to bottom edge of lock plate
- H6 = Mounting distance, enclosures
- H10 = Distance between threaded bolts
- T1 = Overall depth
- T2 = Enclosure depth
- T3 = Installation depth (distance from inside of door to mounting plate)

#### Mounting plate

- F1 = Mounting plate width
- F2 = Centre-to-centre spacing of the attachment holes
- G1 = Mounting plate height
- G2 = Centre-to-centre spacing of the attachment holes

- 1 Door interior view
- 2 Central hinge, only where  $H1 > 800$  mm
- 3 Integrated central locators, only where  $B1/H1 \geq 500$  mm

Model No. AX	Width dimensions mm						Height dimensions mm						Depth dimensions mm			Mounting plates mm				
	B1	B2	B3	B6	B10	B11	H1	H2	H3	H5	H6	H10	T1	T2	T3	F1	F2	G1	G2	Type
1018.000	1000	495	956	960	425	375	1000	995	956	-	960	905	300	277.5	280	945	900	975	950	1
1019.000	1000	495	956	960	425	375	1200	1195	1156	534.7	1160	1105	300	277.5	280	945	900	1175	1150	1
1305.000	1000	495	956	960	425	375	1200	1195	1156	534.7	1160	1105	300	277.5	280	945	900	1175	1150	1