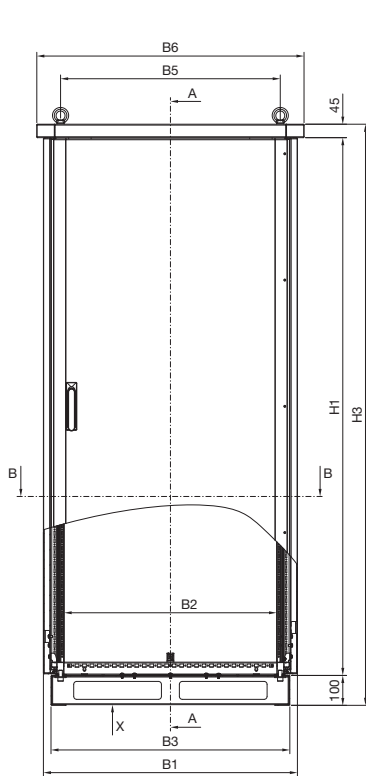


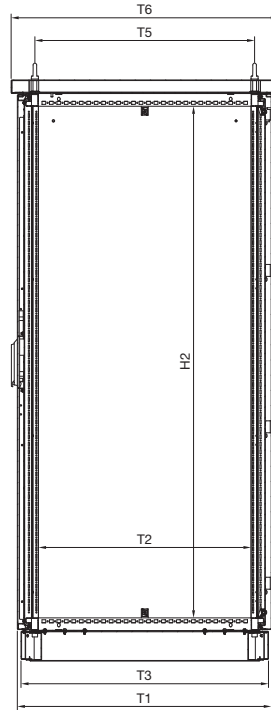
# Enclosures

## Outdoor

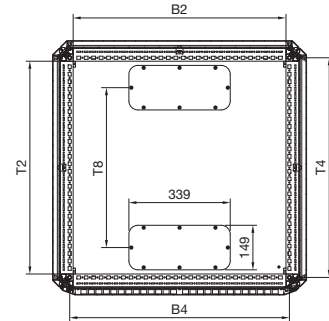
### CS Toptec



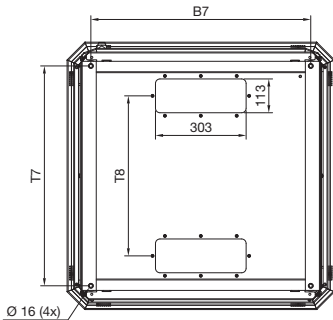
Section A – A



Section B – B



View X

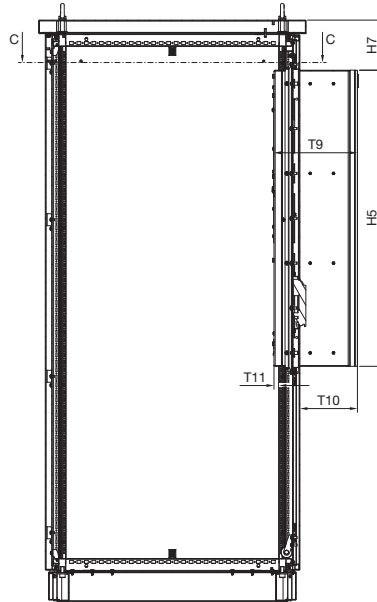
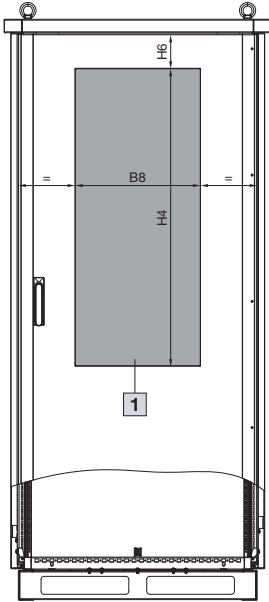


**Note:**

- With fitted side panels, the overall width (B1) is increased by 51 mm.
- The distance between the two fastening points under the enclosure at the baying point is 65 mm.

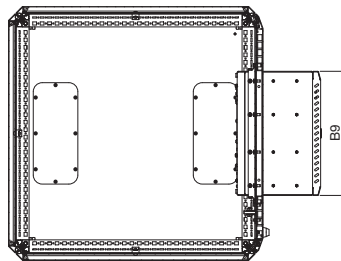
| Model No.<br>CS | Width dimensions mm |     |     |     |     |     |     |     | Height dimensions mm |      |        |      | Depth dimensions mm |     |     |     |     |     |     |     | Mounting plate |        |
|-----------------|---------------------|-----|-----|-----|-----|-----|-----|-----|----------------------|------|--------|------|---------------------|-----|-----|-----|-----|-----|-----|-----|----------------|--------|
|                 | B1                  | B2  | B3  | B4  | B5  | B6  | B7  | B8  | H1                   | H2   | H3     | H4   | T1                  | T2  | T3  | T4  | T5  | T6  | T7  | T8  | Width          | Height |
| 9774.510        | 650                 | 512 | 599 | 535 | 535 | 694 | 535 | -   | 1799.5               | 1712 | 1944.5 | -    | 651                 | 512 | 628 | 535 | 535 | 694 | 535 | 335 | 499            | 1696   |
| 9828.500        | 850                 | 712 | 799 | 735 | 735 | 894 | 735 | -   | 1199.5               | 1112 | 1344.5 | -    | 851                 | 712 | 828 | 735 | 735 | 894 | 735 | 535 | 699            | 1096   |
| 9828.550        | 850                 | 712 | 799 | 735 | 735 | 894 | 735 | 419 | 1199.5               | 1112 | 1344.5 | 994  | 851                 | 712 | 828 | 735 | 735 | 894 | 735 | 535 | 699            | 1096   |
| 9868.500        | 850                 | 712 | 799 | 735 | 735 | 894 | 735 | -   | 1599.5               | 1512 | 1744.5 | -    | 851                 | 712 | 828 | 735 | 735 | 894 | 735 | 535 | 699            | 1496   |
| 9868.550        | 850                 | 712 | 799 | 735 | 735 | 894 | 735 | 419 | 1599.5               | 1512 | 1744.5 | 994  | 851                 | 712 | 828 | 735 | 735 | 894 | 735 | 535 | 699            | 1496   |
| 9888.500        | 850                 | 712 | 799 | 735 | 735 | 894 | 735 | -   | 1799.5               | 1712 | 1944.5 | -    | 851                 | 712 | 828 | 735 | 735 | 894 | 735 | 535 | 699            | 1696   |
| 9888.550        | 850                 | 712 | 799 | 735 | 735 | 894 | 735 | 419 | 1799.5               | 1712 | 1944.5 | 994  | 851                 | 712 | 828 | 735 | 735 | 894 | 735 | 535 | 699            | 1696   |
| 9888.560        | 850                 | 712 | 799 | 735 | 735 | 894 | 735 | 469 | 1799.5               | 1712 | 1944.5 | 1644 | 851                 | 712 | 828 | 735 | 735 | 894 | 735 | 535 | 699            | 1696   |

### CS Toptec



1 Mounting cut-out for Blue e+ Outdoor wall-mounted cooling unit (installation in the mounting frame), for details see table

Section C – C



| Cooling unit | To fit enclosures                | Width dimensions mm |     | Height dimensions mm |      |       |       | Mounting position         | Depth dimensions mm |      |      |
|--------------|----------------------------------|---------------------|-----|----------------------|------|-------|-------|---------------------------|---------------------|------|------|
|              |                                  | B8                  | B9  | H4                   | H5   | H6    | H7    |                           | T9                  | T10  | T11  |
| 3185.330     | 9828.550<br>9868.550<br>9888.550 | 419                 | 415 | 994                  | 990  | 116.5 | 167.5 | External mounting         | 280                 | 192  | 17   |
|              |                                  |                     |     |                      |      |       |       | Partial internal mounting |                     | 114  | 95   |
|              |                                  |                     |     |                      |      |       |       | Full internal mounting    |                     | 36   | 173  |
| 3186.330     | 9888.560                         | 469                 | 465 | 1644                 | 1640 | 80    | 131   | External mounting         | 260                 | 174  | 15   |
|              |                                  |                     |     |                      |      |       |       | Partial internal mounting |                     | 94.5 | 94.5 |
|              |                                  |                     |     |                      |      |       |       | Full internal mounting    |                     | 35   | 154  |
| 3187.330     | 9888.560                         | 469                 | 465 | 1644                 | 1640 | 80    | 131   | External mounting         | 260                 | 174  | 15   |
|              |                                  |                     |     |                      |      |       |       | Partial internal mounting |                     | 94.5 | 94.5 |
|              |                                  |                     |     |                      |      |       |       | Full internal mounting    |                     | 35   | 154  |
| 3188.340     | 9888.560                         | 469                 | 465 | 1644                 | 1640 | 80    | 131   | External mounting         | 360                 | 272  | 17   |
|              |                                  |                     |     |                      |      |       |       | Partial internal mounting |                     | 194  | 95   |
|              |                                  |                     |     |                      |      |       |       | Full internal mounting    |                     | 36   | 253  |
| 3189.340     | 9888.560                         | 469                 | 465 | 1644                 | 1640 | 80    | 131   | External mounting         | 360                 | 272  | 17   |
|              |                                  |                     |     |                      |      |       |       | Partial internal mounting |                     | 194  | 95   |
|              |                                  |                     |     |                      |      |       |       | Full internal mounting    |                     | 36   | 253  |