



QR-Code
gemäß
RIINT-00009

SV

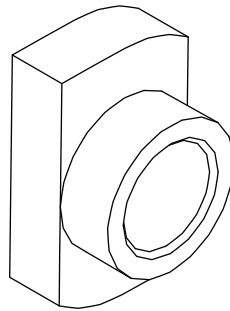
9640.900
9640.910
9640.920

9650.900
9650.905
9650.910
9650.920



www.rittal.com

Xx



Mx

Best.-Nr. Model No. Référence	Xx VE Packs of UE	Mx Gewinde Thread Filetage
9640.900	15 St./pcs./p.	M6
9640.910	15 St./pcs./p.	M8
9640.920	15 St./pcs./p.	M10
9650.900	15 St./pcs./p.	M6
9650.905*	3 St./pcs./p.	M8
9650.910	15 St./pcs./p.	M10
9650.920	15 St./pcs./p.	M12

* Note: not UL Listed

Dok.-Nr. / No of doc.: D-0000-00002892-01
Versandbeutel-Nr. / No. of accessory bag: –

Country of origin:
Lieferanten-Nr. / No. of supplier:

RITTAL GmbH & Co. KG, Auf dem Stuetzelberg, 35745 Herborn
RITTAL Limited, Braithwell Way, Hellaby, Rotherham, S66 8QY, UK

SW10,
SW13



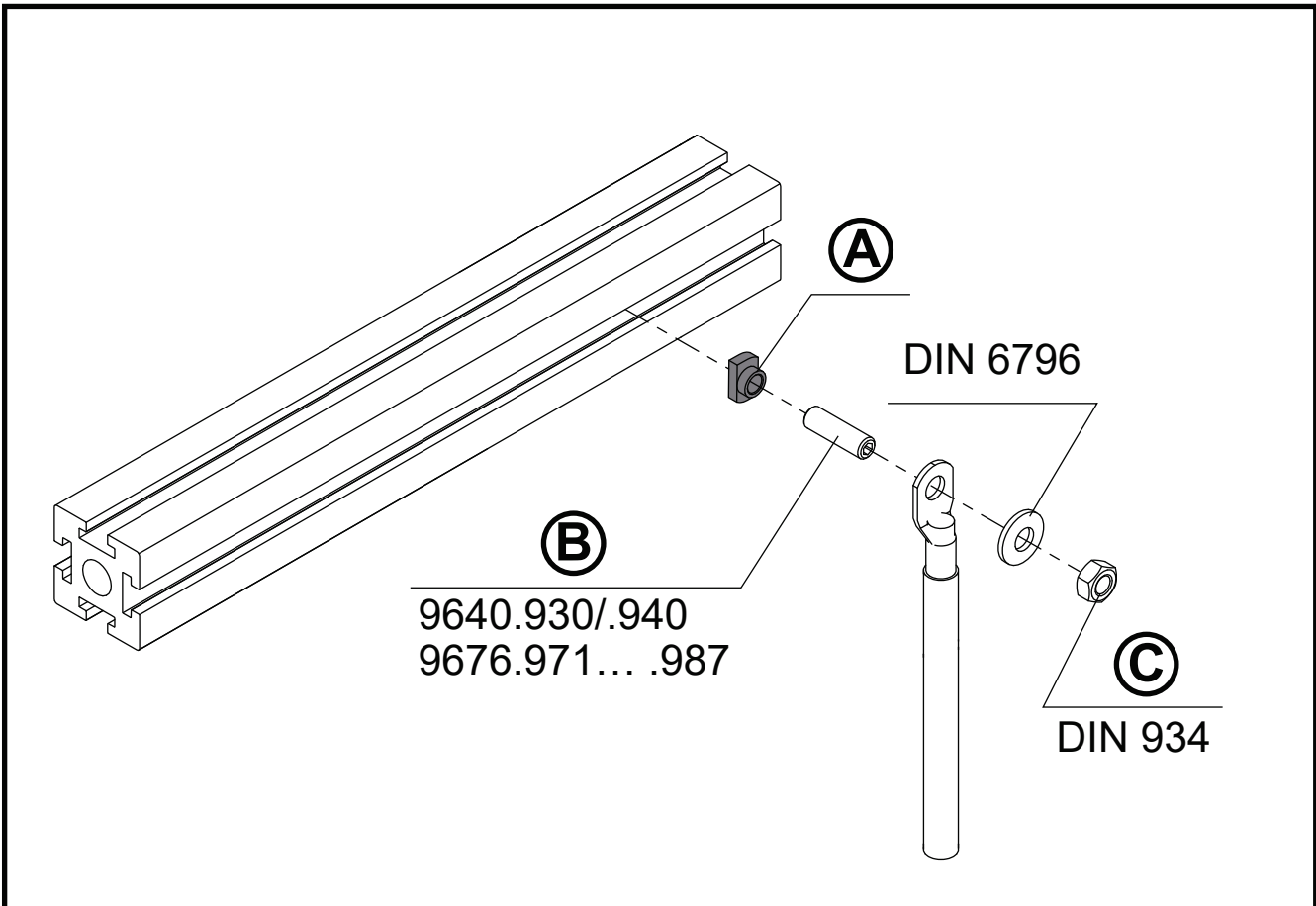
SW16/
SW17



SW18/
SW19



IS3, IS4,
IS5, IS6

$M = \text{(B)} / \text{(C)}$

Für System For system Pour système	(B)		(C)		(A) Best.-Nr. Model No. Référence
	M Nm	M in-lbs	M Nm	M in-lbs	
Maxi-PLS 45 S/45	5	44	5	44	9640.900
Maxi-PLS 45 S/45	10	89	15	133	9640.910
Maxi-PLS 45 S/45	10	89	40	354	9640.920
Maxi-PLS 60	5	44	5	44	9650.900
Maxi-PLS 60	10	89	15	133	9650.905
Maxi-PLS 60	10	89	40	354	9650.910
Maxi-PLS 60	10	89	40	354	9650.920