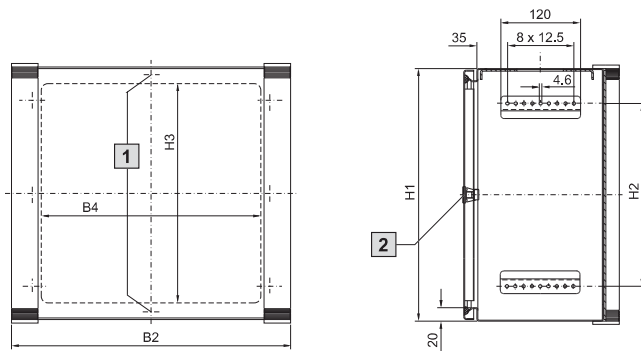
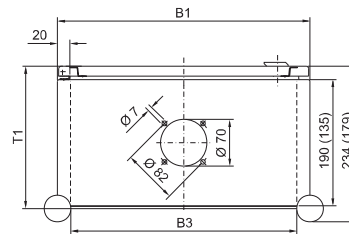


Operating housings

With handle strips Catalogue 33, page 144



Top view



- 1** Only for CP 6532.200, CP 6533.200
- 2** For CP 6532.200 2 cams

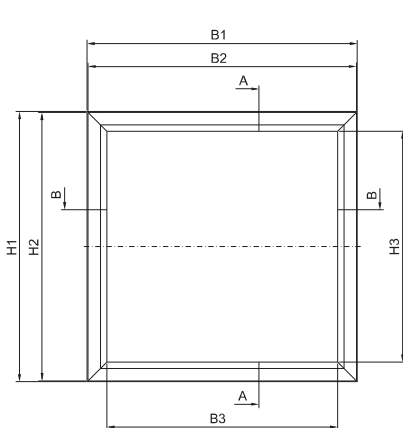
Note:
Dimensions in brackets for CP 6540.200.

Model No. CP	1	6540.200 ¹⁾	6531.200	6530.200	6532.200	6533.200
Width (B1) mm	Packs of	300	380	380	500	600
Height (H1) mm		200	300	380	500	380
Depth (T1) mm		155	210	210	210	210
B2 = Enclosure width with handle strips		340	420	420	540	640
B3 = Clearance opening, front		260	340	340	460	560
B4 = Cut-out, in enclosure		250	330	330	450	550
H2 = Hole distance of side mounting angles		75	175	275	375	275
H3 = Cut-out, in enclosure		150	250	330	450	330

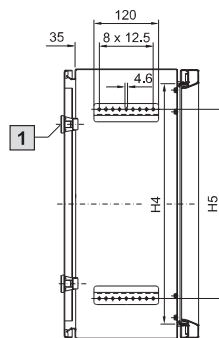
¹⁾Support arm connection and door hinge at the bottom.

Operating housings

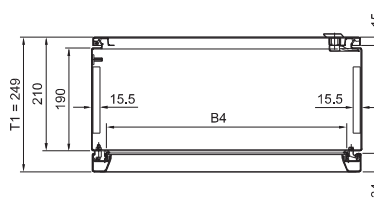
With display panel front Catalogue 33, page 145



Section A - A



Section B - B



- 1** For CP 6442.500 only 1 cam in the centre

Model No. CP	1	6442.500	6462.500	6552.500	6662.500
Width (B1) mm	Packs of	380	380	500	600
Height (H1) mm		380	600	500	600
Depth (T1) mm		249	249	249	249
B2 = Width of display panel front		377	377	497	597
B3 = Clearance opening, front		307	307	427	527
B4 = Width of front panel		321	321	441	541
H2 = Height of display panel front		377	597	497	597
H3 = Clearance opening, front		307	527	427	527
H4 = Height of front panel		321	541	441	541
H5 = Hole distance of side mounting angles		250	450	350	450