

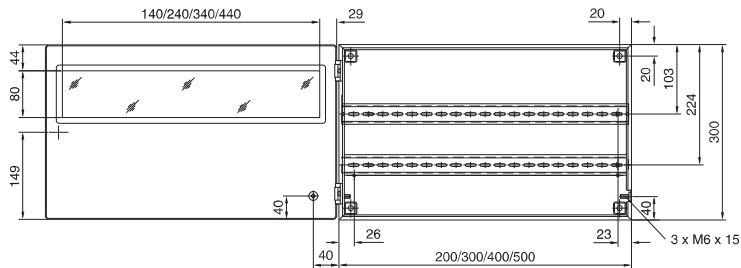
Enclosures

Small enclosures

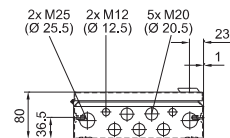
Bus enclosures BG

Catalogue 33, page 39

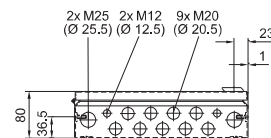
BG 1583.520, BG 1584.520, BG 1585.520, BG 1586.520



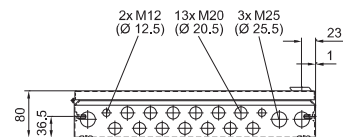
BG 1583.520



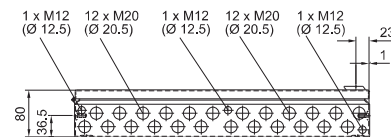
BG 1584.520



BG 1585.520

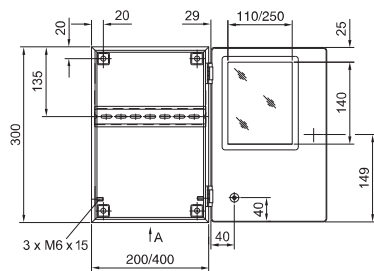


BG 1586.520

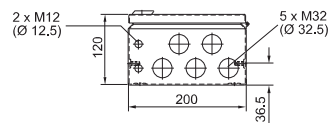


Catalogue 33, page 40

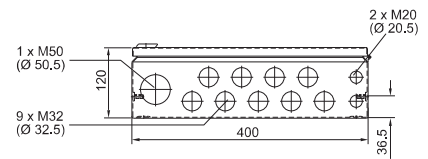
BG 1605.520, BG 1606.520



BG 1605.520

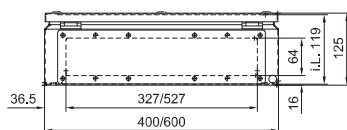
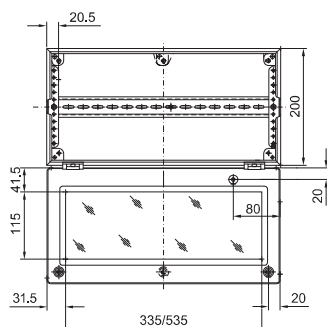


BG 1606.520



Catalogue 33, page 40

BG 1558.510, BG 1559.510



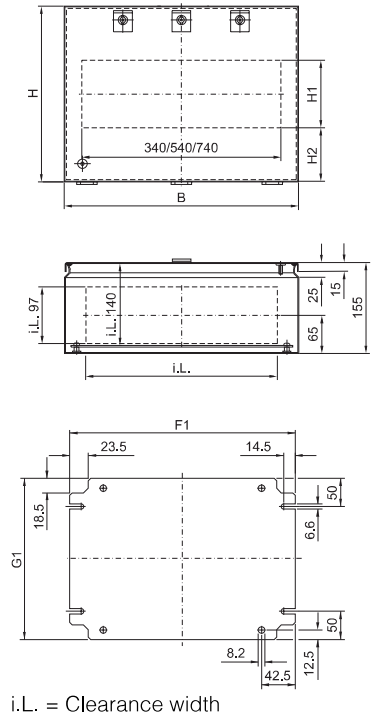
i.L. = Clearance width

Bus enclosures BG

Catalogue 33, page 40

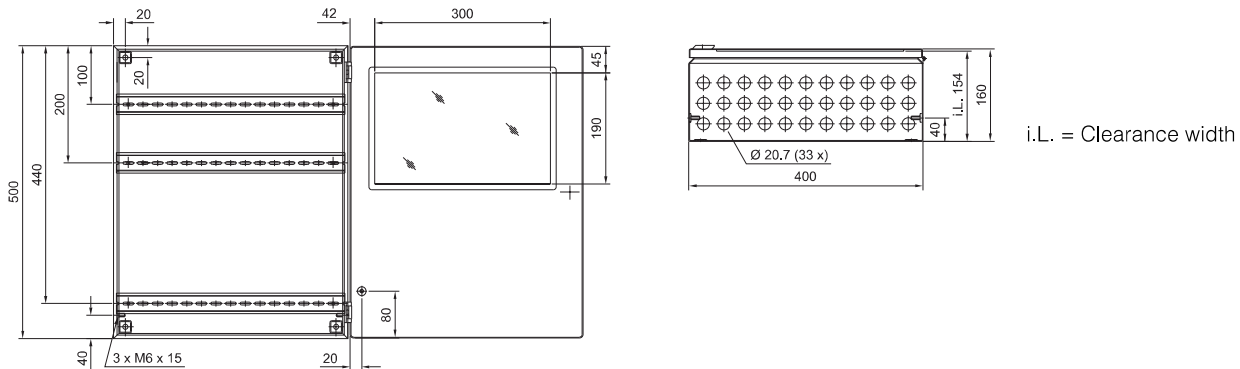
Model No. BG	Dimensions mm					Heights of viewing windows mm		Gland plate opening clearance width x clearance width ¹⁾ mm
	W (B)	H	D (T)	F1	G1	H1	H2	
1577.500	400	300	155	385	275	-	-	327 x 97
1577.520						115	92	
1577.530						190	42	
1577.550						115	92	
1577.560						190	42	
1577.450	600	300	155	585	275	155	92	527 x 97
1578.500						-	-	
1578.520						115	92	
1578.530						190	42	
1578.550						115	92	
1578.560	190	42						
1578.450	800	300	155	785	275	-	-	327 x 97 (2 x)
1579.500						115	92	
1579.520						190	42	
1579.530						115	92	
1579.550						190	42	
1579.560	155	92						
1579.450						155	92	-

¹⁾ Gland plates 14 mm larger all-round.



Catalogue 33, page 41

BG 1611.510



Catalogue 33, page 41

BG 1609.510

