

# Climate control

## Fan systems

### TopTherm fan-and-filter units

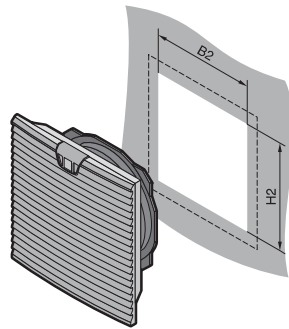
Air throughput (unimpeded air flow) 20 – 66 m<sup>3</sup>/h Catalogue 33, page 394

Air throughput (unimpeded air flow) 105 – 250 m<sup>3</sup>/h Catalogue 33, page 395/396

Air throughput (unimpeded air flow) 550 – 770 m<sup>3</sup>/h Catalogue 33, page 397

Air throughput (unimpeded air flow) 900 m<sup>3</sup>/h Catalogue 33, page 398

Model No. SK	Dimensions mounting cut-out mm	
	B2	H2
3237.100	92	92
3237.600		
3237.110		
3237.124	124	124
3238.100		
3238.600		
3238.110	177	177
3238.124		
3239.100		
3239.600	224	224
3239.110		
3239.124		
3240.100	292	292
3240.600		
3240.110		
3240.124	292	292
3241.100		
3241.600		
3241.110	292	292
3241.124		
3243.100		
3243.600	292	292
3243.110		
3244.100		
3244.600	292	292
3244.110		
3244.140		
3245.500	292	292
3245.600		
3245.510		

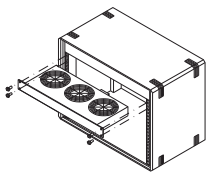


B = Width

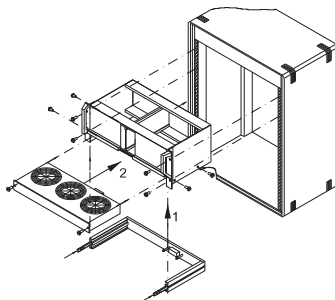
### Rack-mounted fan

for 482.6 mm (19"), air throughput (unimpeded air flow) 320/480 m<sup>3</sup>/h Catalogue 33, page 399/400

Rack-mounted fan mounted between a pair of 482.6 mm (19") mounting angles



Vario rack-mounted fan mounted in subracks 84 HP



Vario rack-mounted fan mounted between a pair of 482.6 mm (19") mounting angles

