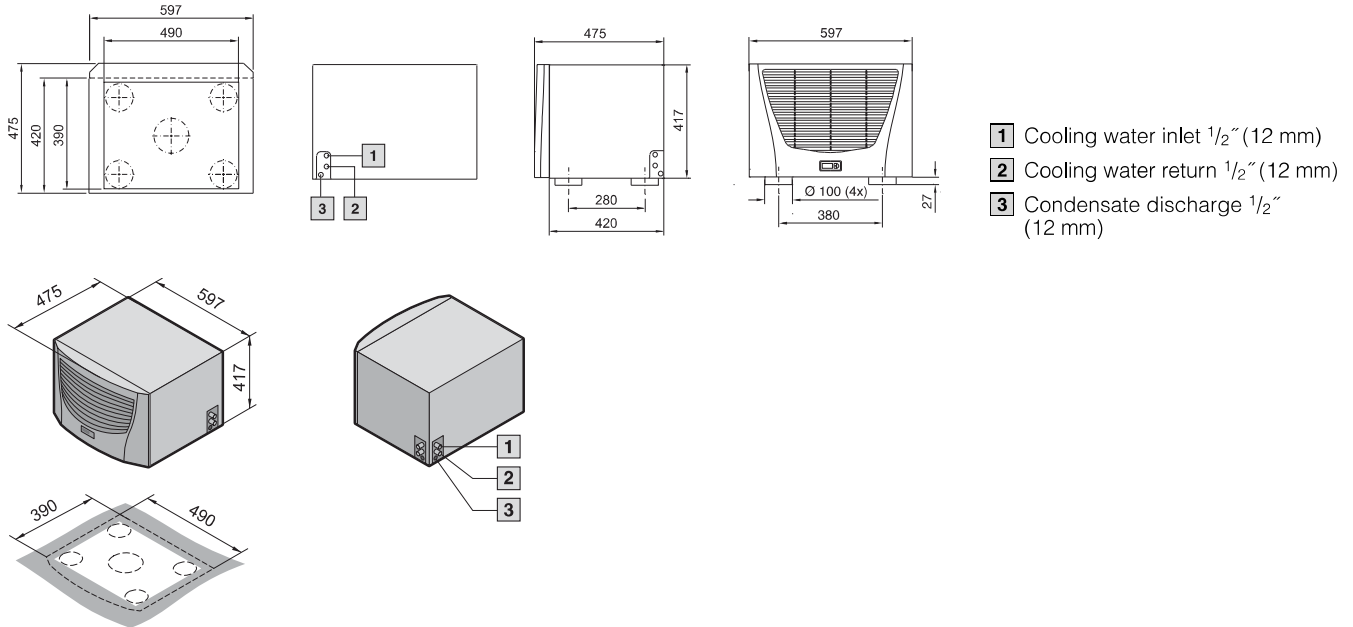


Climate control

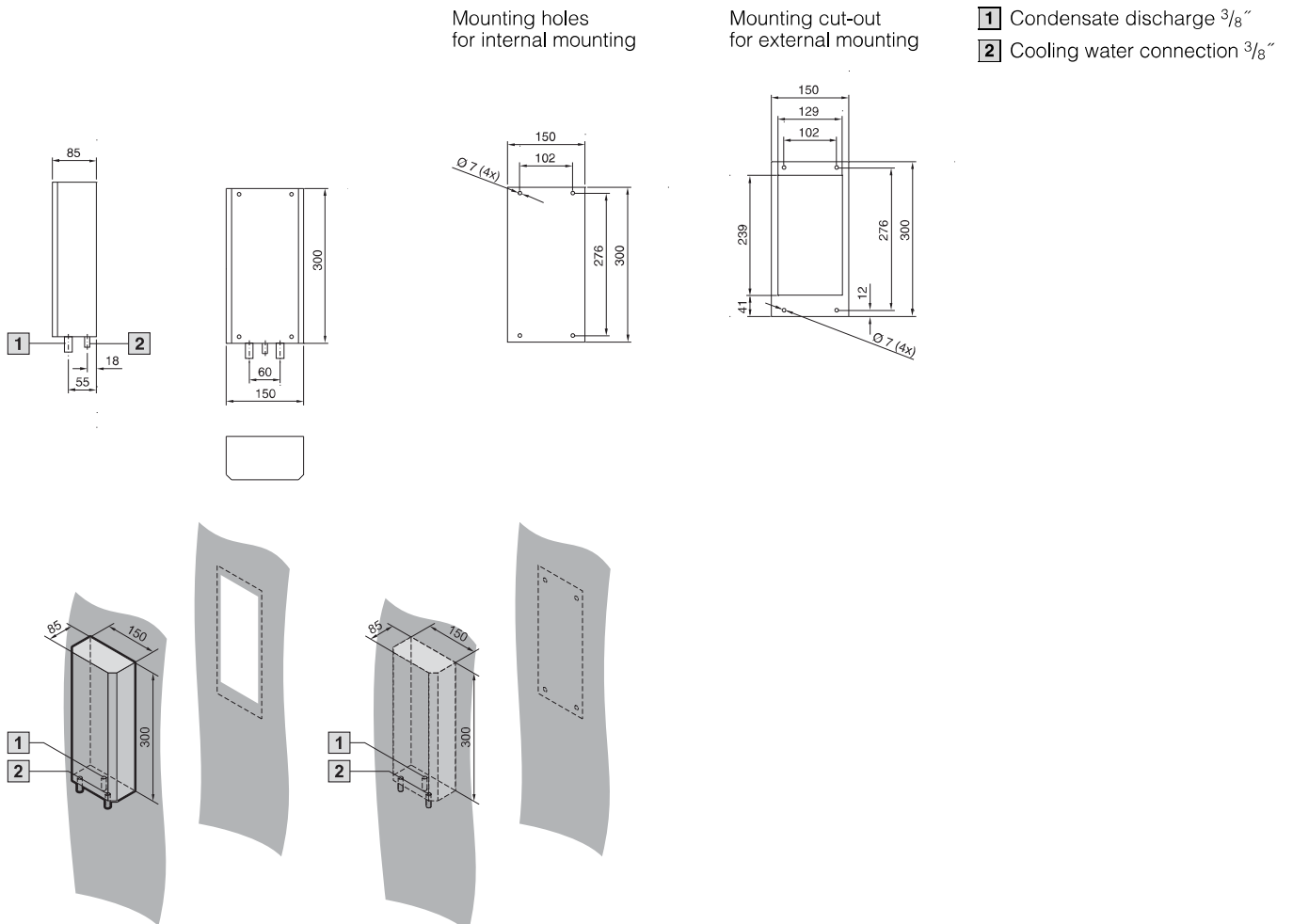
Air/water heat exchangers

Air/water heat exchangers

Roof-mounted, SK 3209.XXX, SK 3210.XXX Catalogue 33, page 434 – 436



Wall-mounted, SK 3212.XXX Catalogue 33, page 437



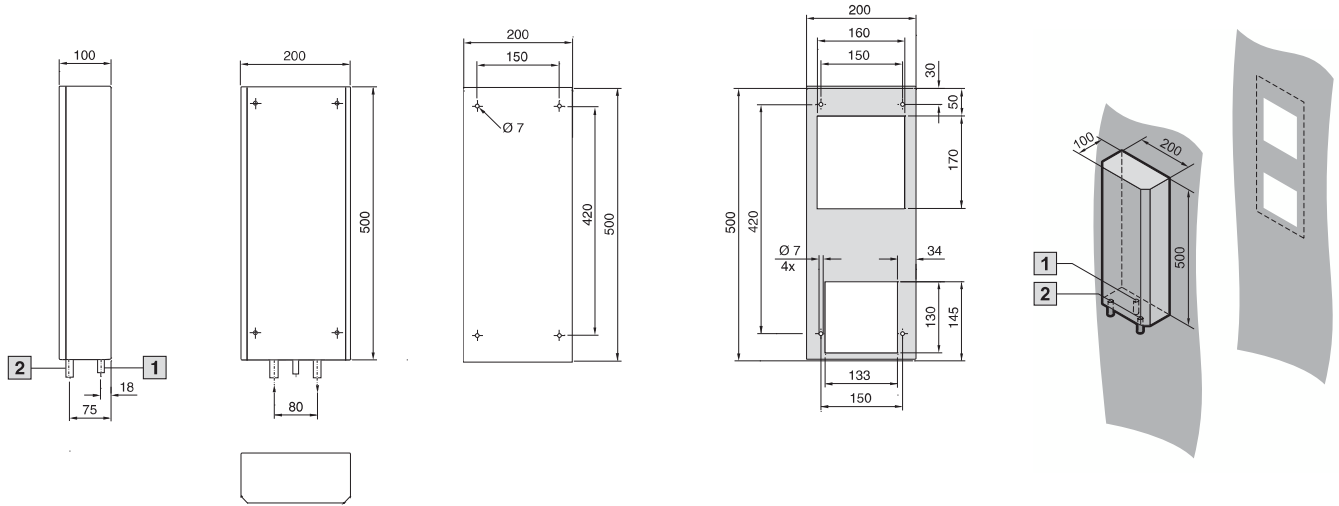
Air/water heat exchangers

Wall-mounted, SK 3214.XXX Catalogue 33, page 437

Mounting holes for internal mounting

Mounting cut-out for external mounting

- 1 Condensate discharge 1/2"
- 2 Cooling water connection 1/2"

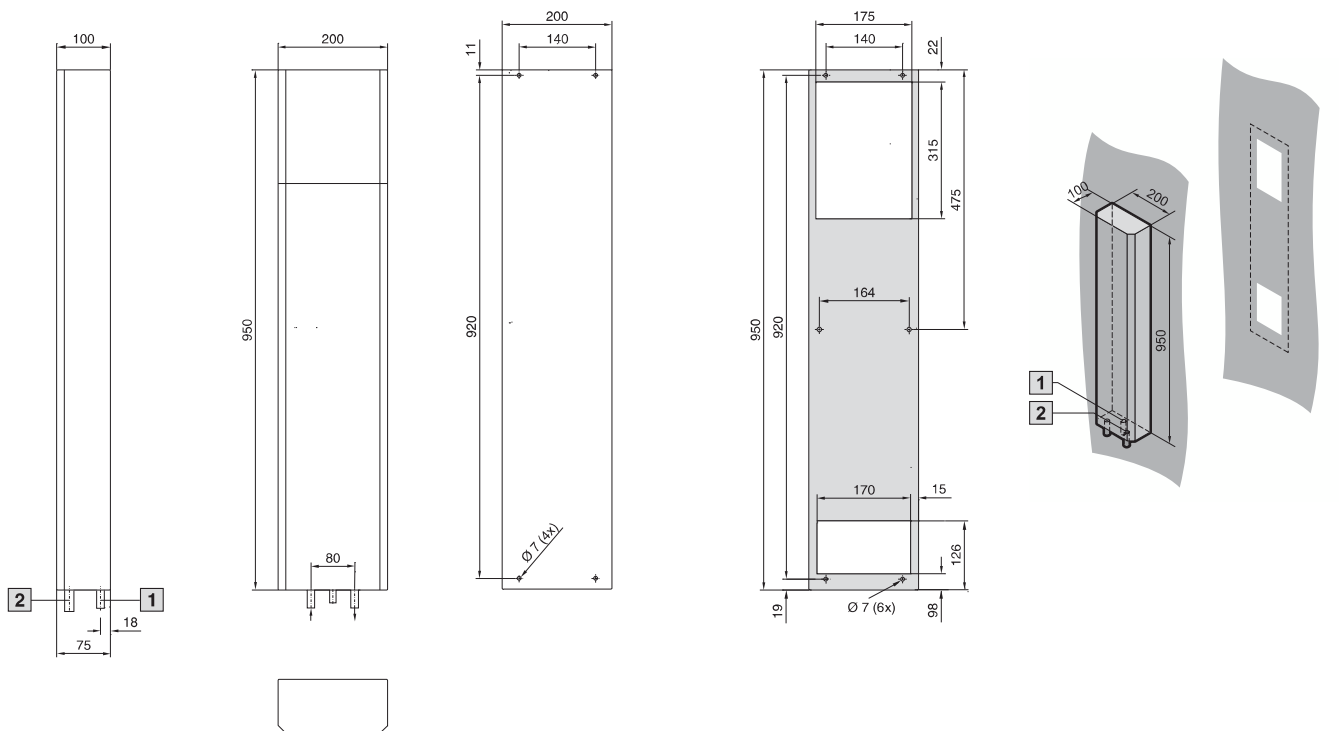


Wall-mounted, SK 3215.XXX Catalogue 33, page 437

Mounting holes for internal mounting

Mounting cut-out for external mounting

- 1 Condensate discharge 1/2"
- 2 Cooling water connection 1/2"

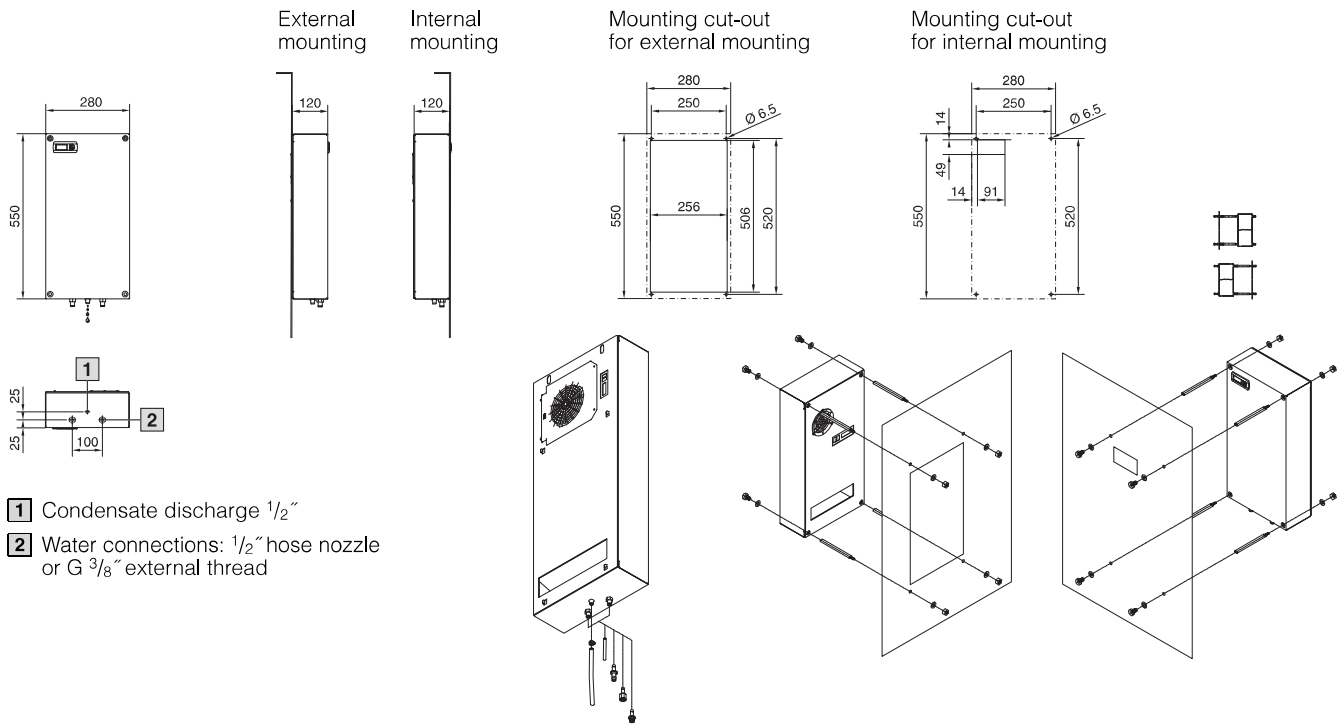


Climate control

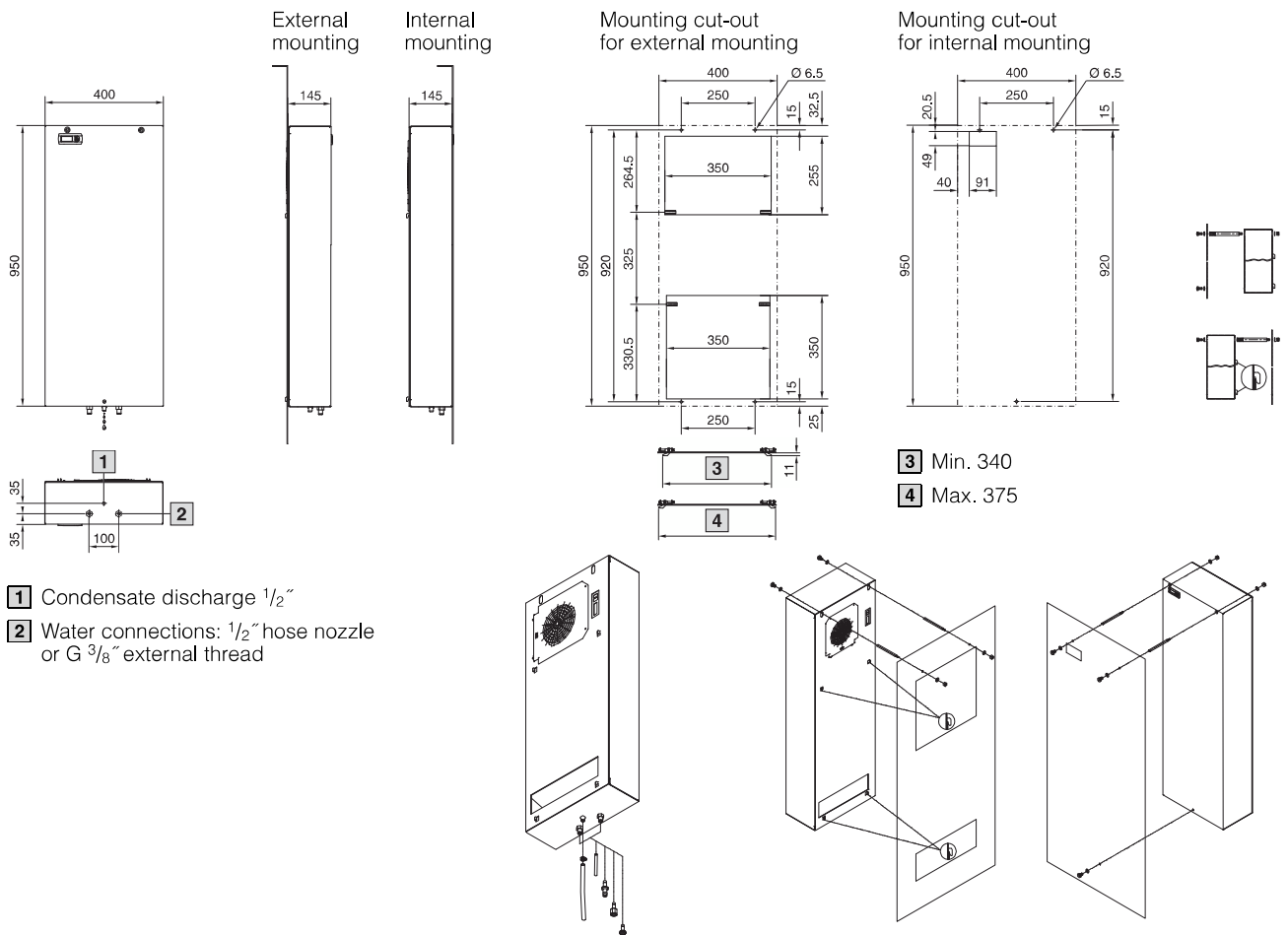
Air/water heat exchangers

Air/water heat exchangers

Wall-mounted, SK 3363.XXX, SK 3364.XXX Catalogue 33, page 438/441

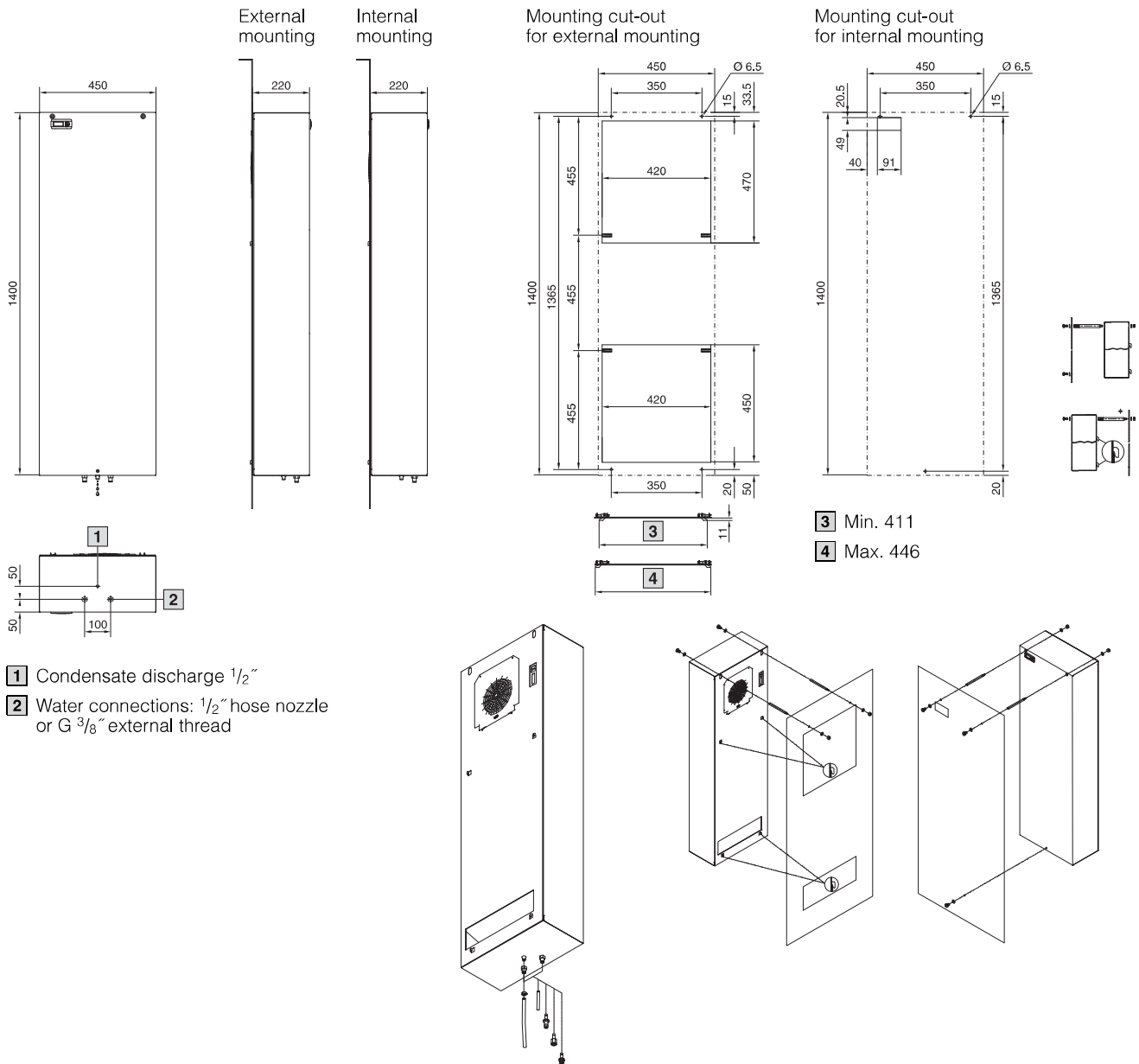


Wall-mounted, SK 3373.XXX, SK 3374.XXX Catalogue 33, page 439/442



Air/water heat exchangers

Wall-mounted, SK 3375.XXX Catalogue 33, page 440/443

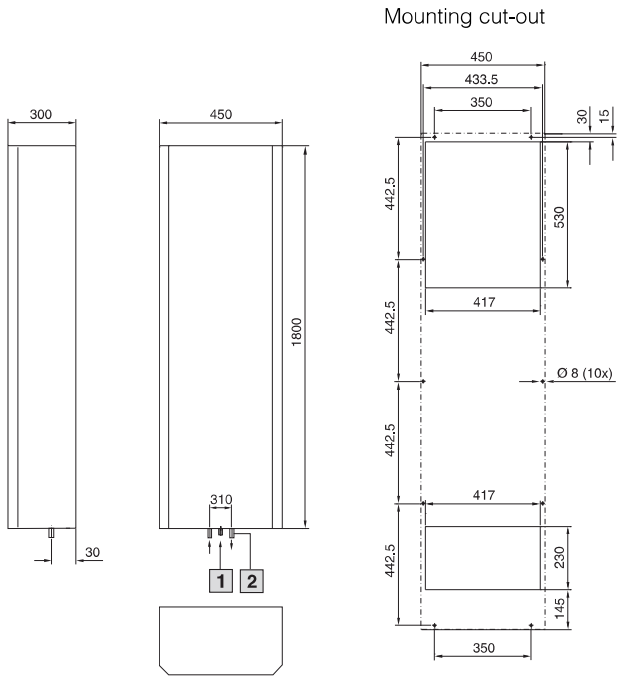


Climate control

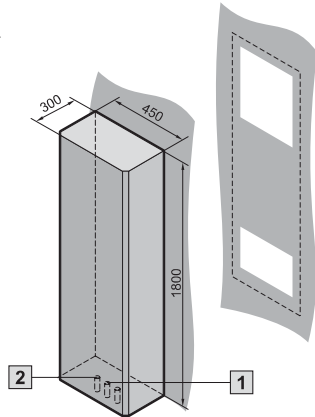
Air/water heat exchangers

Air/water heat exchangers

Wall-mounted, SK 3216.480 Catalogue 33, page 440

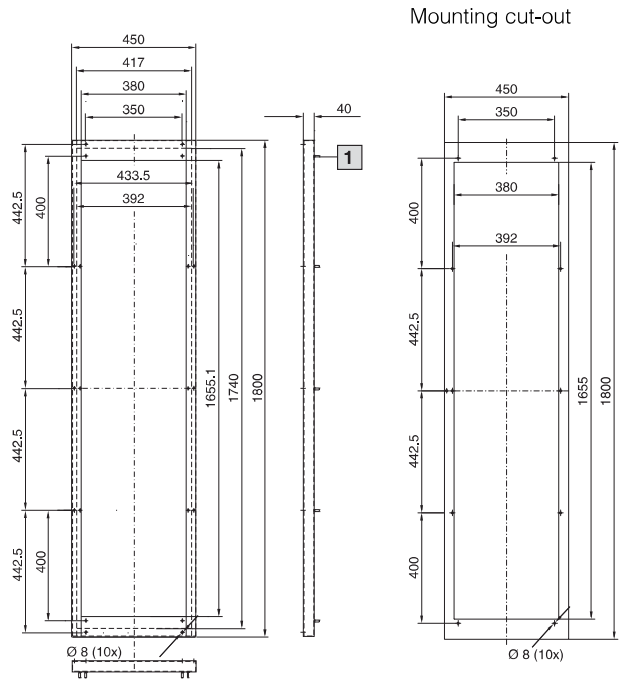


- 1** Condensate discharge 1/2"
- 2** Cooling water connection 1/2"



Adaptor frame

Catalogue 33, page 480



- 1** Bolts M6 x 20