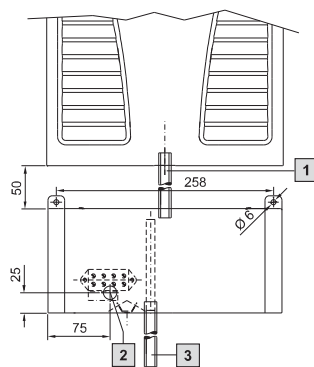
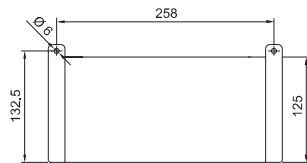


Electric condensate evaporator

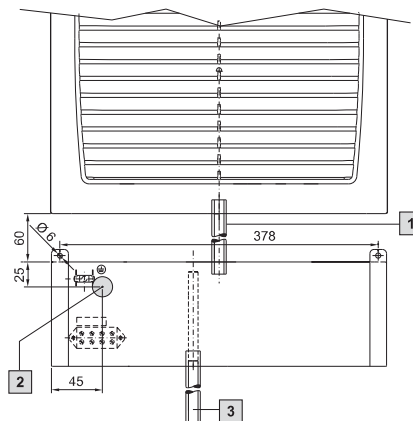
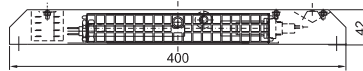
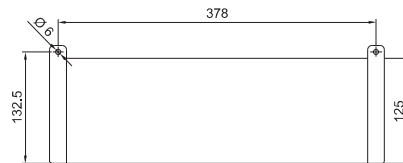
Catalogue 33, page 484

SK 3301.560/.580



- 1** Condensate hose
SK 3301.608 for SK 3302.XXX
SK 3301.610 for SK 3303.XXX
- 2** Suggestion for position
of cable entry
- 3** Hose
Length as required

SK 3301.570/.590

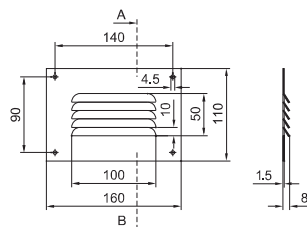


- 1** Condensate hose SK 3301.612
- 2** Suggestion for position
of cable entry
- 3** Hose
Length as required

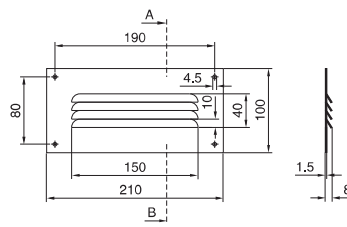
Integrated louvres

Catalogue 33, page 480

SK 2541.235



SK 2542.235



SK 2543.235

