
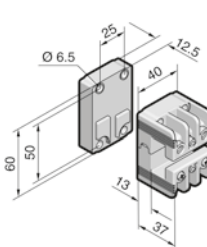
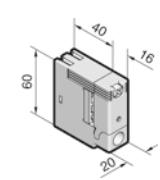
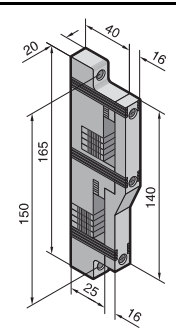


Busbar supports 1- and 2-pole

Catalogue 33, page 310

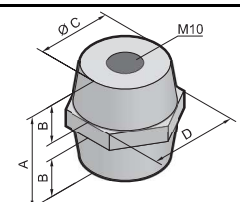
Note: SV 9340.030/SV 9342.030 The busbar supports may be bayed with 60 mm bar centre distance for the configuration of multi-pole systems. Approvals:  E191125			
	Number of poles	1-pole	1-pole
Bar centre distance mm	–	–	60
For busbars E-Cu	PLS 1600	–	–
PEN/N/PE support	–	12 x 5/10 ¹⁾ , 15 x 5 – 30 x 10 mm	12 x 5 – 30 x 10 mm
N/PE support	–	–	–
Model No. SV	9342.030	9340.030 (UL)	9340.040 (UL)
Assembly data for applications to IEC (EN)			
Tightening torque	M6 x 20/35 mm ²⁾	M5 x 25	M5 x 16
– Assembly screw	5	5	5
– Lid attachment	0.7	3	3

¹⁾ If 12 x 5/10 mm busbars are used, the spacer SV 9340.090 is additionally required.

²⁾ 35 mm when using the additional raised section.


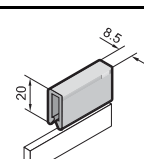
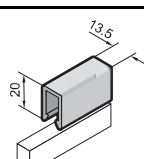
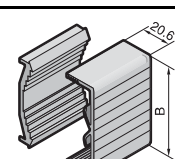
Base isolators

Catalogue 33, page 310

		
Rated operating voltage kV	1	1
Power frequency withstand voltage kV	20	37
Impulse withstand voltage kV	12	12
Creep resistance	EN 60 112, CTI 600	EN 60 112, CTI 600
Tensile strength kN	12	13
Torsional strength Nm	75	90
Bending strength kN	6	6
Tightening torque Nm	40	40
A mm	40	50
B mm	15	19
Ø C mm	32	42
D mm	SW 36	SW 50
Model No. SV	3031.000	3032.000

Busbar cover sections

Catalogue 33, page 311

Approvals:  E191125			
For busbars mm	12/15 x 5	12/15 x 10	12 x 5 – 30 x 10
Width (B) mm	–	–	40.6
Model No. SV	9350.010	9350.060	3092.000 (UL) 3085.000 (UL)