
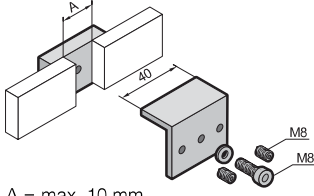
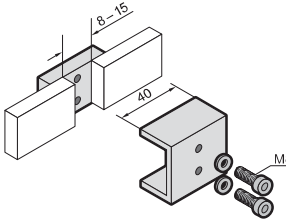
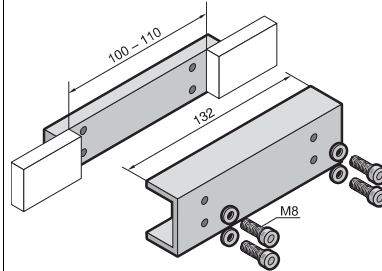





Power distribution

RiLine accessories: Busbars

Busbar connectors

Catalogue 33, page 313

Approvals:  E191125	 <p>A = max. 10 mm</p>			
	For busbars mm	12 x 5 – 15 x 10	20 x 5 – 30 x 10	20 x 5 – 30 x 10
	For application	Single connection	Single connection	Baying connection ¹⁾
	Model No. SV	9350.075 	9320.020 	9320.030 


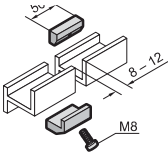
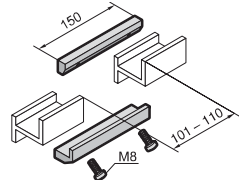




Assembly data for applications to IEC (EN)/UL

Tightening torque Nm			
– Screw M8	5	20	20
– Grub screw M8	15	–	–
Max. busbar offset	–	4	5

¹⁾ From enclosure to enclosure (TS 8)

PLS busbar connectors

Catalogue 33, page 313

Approvals:  E191125				
	For application			
	Single connection		Baying connection ¹⁾	
	For system	PLS 800	PLS 1600	PLS 800
Model No. SV	3504.000 	3514.000 	3505.000 	3515.000 


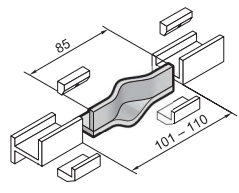
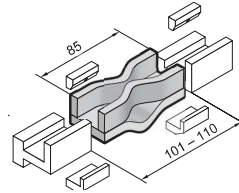

Assembly data for applications to IEC (EN)/UL

Tightening torque Nm				
– Screw M8	15	20	15	20
Max. busbar offset	4	5	4	5

¹⁾ From enclosure to enclosure (TS 8)

PLS expansion connectors

Catalogue 33, page 313

Note: With a temperature increase of 30 K, the busbars will expand in length by around 0.5 mm/m. Consequently, the use of an expansion connector is recommended for busbar systems with lengths > 3600 mm for thermal compensation. Approvals:  E191125			
	For system		
	PLS 800		PLS 1600
	Model No. SV		9320.060 
Also required			
PLS busbar connectors ¹⁾	3504.000		3514.000

¹⁾ Two busbar connectors are needed to fit one expansion connector.