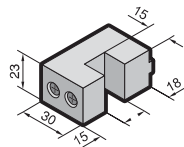


## RiLine accessories: Laminated copper bars/Contact hazard protection

### Universal holder

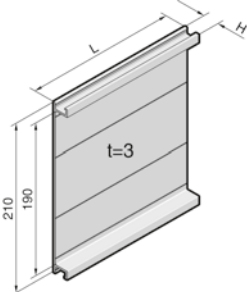
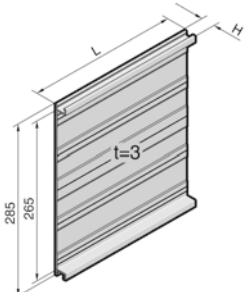
Catalogue 33, page 314

For the attachment of laminated copper bars	
For laminated copper bars mm	5 x 20 x 1 – 10 x 63 x 1 <sup>1)</sup>
<b>Model No. SV</b>	<b>3079.000</b>

<sup>1)</sup> Number of membranes x membrane width x membrane thickness.

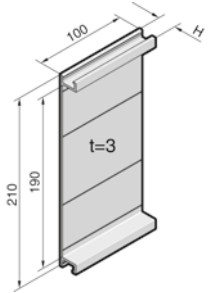
### Base tray

Catalogue 33, page 315

For 60 mm busbar systems						
<b>Approvals:</b> UL US LISTED E191125						
For RiLine60 busbar systems	3-pole			4-pole		
	Flat bars	PLS 800	PLS 1600	Flat bars	30 x 10 PLUS	PLS 1600 PLUS
Height (H) mm	19.5	32	43	19.5	43	43
	<b>Model No. SV</b>			<b>Model No. SV</b>		
Length (L) mm	500	<b>9340.100</b> (UL)	<b>9341.100</b> (UL)	<b>9342.100</b> (UL)	–	–
	700	<b>9340.110</b> (UL)	<b>9341.110</b> (UL)	<b>9342.110</b> (UL)	–	–
	900	<b>9340.120</b> (UL)	<b>9341.120</b> (UL)	<b>9342.120</b> (UL)	–	–
	1100	<b>9340.130</b> (UL)	<b>9341.130</b> (UL)	<b>9342.130</b> (UL)	<b>9340.134</b> (UL)	<b>9342.134</b> (UL)
	2400	<b>9340.170</b>	<b>9341.170</b>	<b>9342.170</b>	–	–

### Base tray infill

Catalogue 33, page 315

For 60 mm busbar systems		
<b>Approvals:</b> UL US LISTED E191125		
For RiLine60 busbar systems	3-pole	
	Flat bars	PLS 800
Height (H) mm	19.5	32
<b>Model No. SV</b>	<b>9340.140</b> (UL)	<b>9341.140</b> (UL)