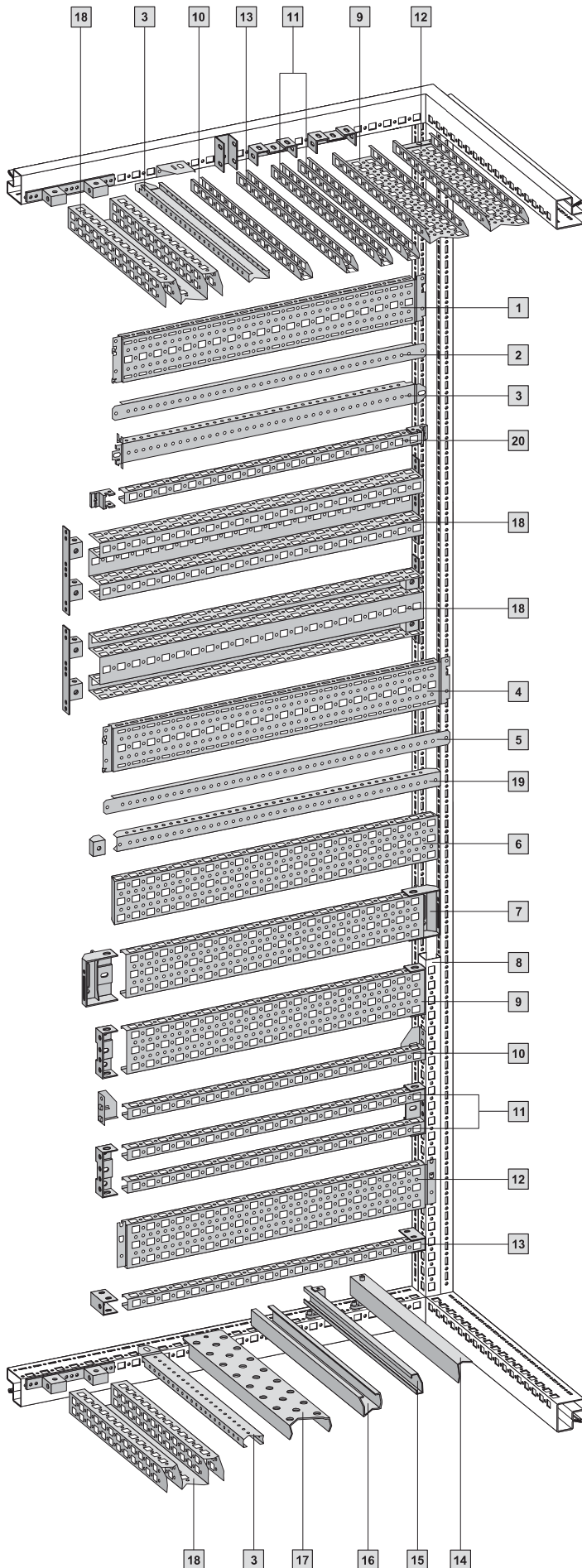


Rail systems – Installation examples TS 8 enclosure system



Roof installation

Punched sections and rails may be mounted on the horizontal enclosure sections in both the width and depth.

Installation accessories	Cat. 33, page
1 TS punched section with mounting flange 17 x 73 mm for the outer level	647
2 TS support strip for the outer level	650
3 TS punched rail 18 x 38 mm ¹⁾ for the <ul style="list-style-type: none"> • outer level • horizontal enclosure sections • adaptor rail for PS compatibility 	650
4 TS punched section with mounting flange 17 x 73 mm for the inner level	647
5 TS support strip for the inner level	650
6 TS punched section with mounting flange 23 x 73 mm for the inner level	648
7 PS punched section without mounting flange 23 x 73 mm, with support bracket TS (alternatively with one or two punched rails 23 x 23 mm)	652
8 Adaptor rail for PS compatibility	651
9 PS punched section without mounting flange 23 x 73 mm, with support bracket PS	652
10 PS punched rail 23 x 23 mm with angle bracket	651
11 PS punched rails 23 x 23 mm with support bracket PS (alternatively with one or two punched rails 23 x 23 mm)	651
12 PS punched section with mounting flange 23 x 73 mm	652
13 PS punched rail 23 x 23 mm with mounting bracket PS	651
14 Cable clamp rail	717
15 C rails 30/15 with bracket/spacer	653
16 System support rails	654
17 Support rail	654
18 TS punched section without mounting flange, 45 x 88 mm	649
19 TS punched rail 25 x 38 mm with snap-on nut	649
20 PS punched rail 23 x 23 mm with mounting bracket TS	651

¹⁾ Two TS punched rails 18 x 38 mm are included in the supply of enclosures with a mounting plate. After installing the mounting plate, the TS punched rail may be inserted, as shown here.

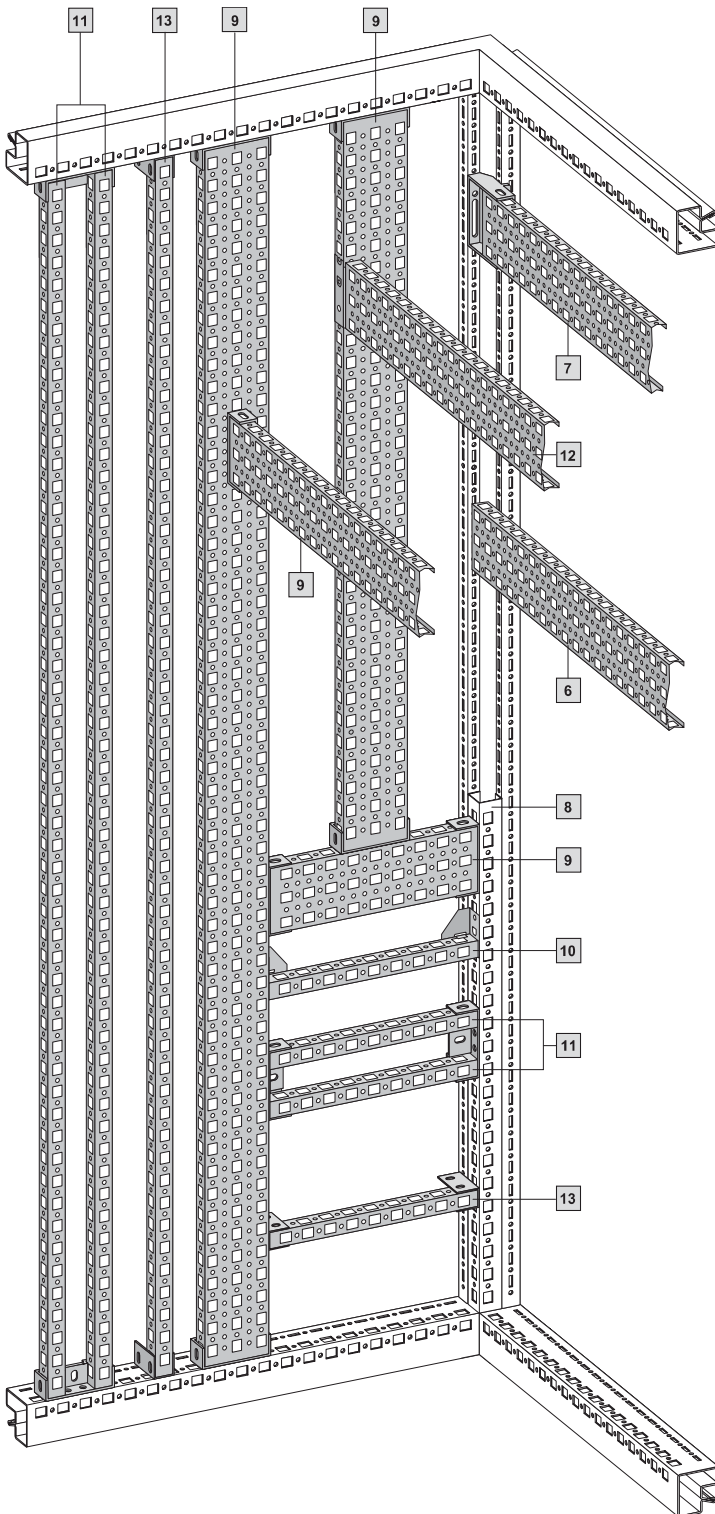
Base installation

Punched sections and rails may be mounted on the horizontal enclosure sections in both the width and depth.

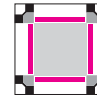
System accessories

Rail systems – Installation examples TS 8 enclosure system

Attachment may be made at any point in the TS 8 enclosure space. Not only with horizontal rail installations directly between the TS sections, but by combining vertical and horizontal rails, any given mounting level in the width, height and depth may be achieved.

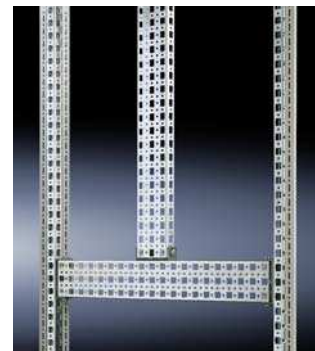


Vertical mounting levels – PS compatible



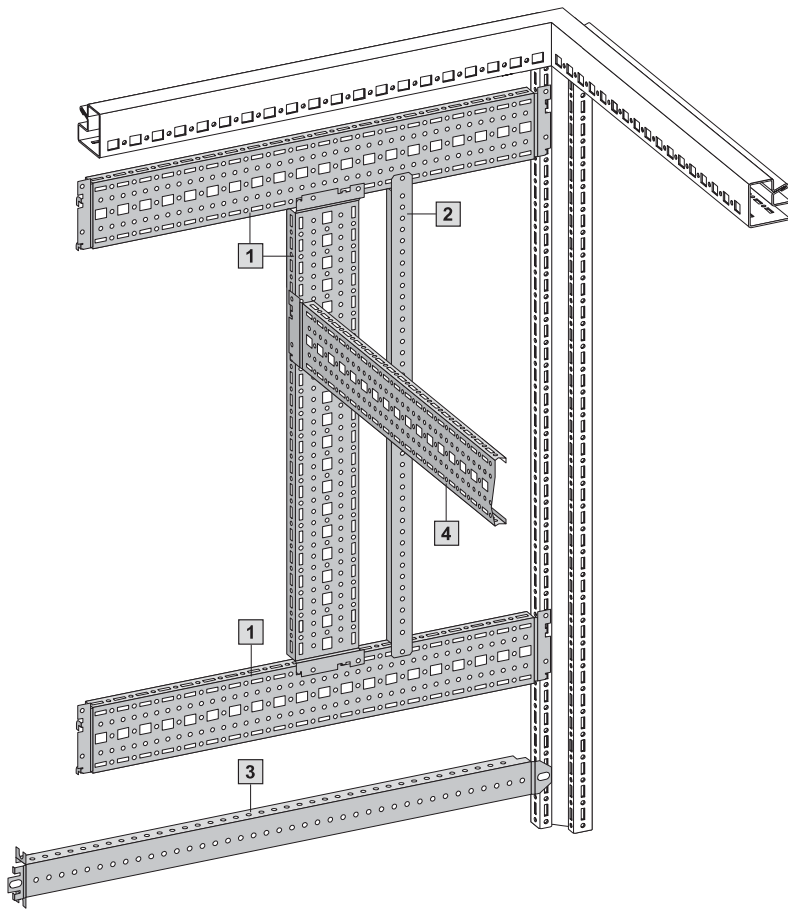
The basis for a second mounting level across the entire enclosure height is quickly achieved, e.g. with two PS punched sections without mounting flanges 23 x 73 mm **9**. Between these two sections, configuration may be achieved with PS punched rails **10**, **11** and **13**, with PS punched sections without mounting flanges **9** and PS punched sections with mounting flanges **12**. When using the adaptor rail for PS compatibility **8**, installation is easily achieved across a suitable sub-height, or with suitable enclosure dimensions, across a sub-width or sub-depth.

Installation accessories (Consecutive numbering in accordance with diagram on page 287)	Cat. 33, page
6 TS punched section with mounting flange 23 x 73 mm for the inner level	648
7 PS punched section without mounting flange 23 x 73 mm, with support bracket TS (alternatively with one or two punched rails 23 x 23 mm)	652
8 Adaptor rail for PS compatibility	651
9 PS punched section without mounting flange 23 x 73 mm, with support bracket PS	652
10 PS punched rail 23 x 23 mm with angle bracket	651
11 PS punched rails 23 x 23 mm with support bracket PS (alternatively with one or two punched rails 23 x 23 mm)	651
12 PS punched section with mounting flange 23 x 73 mm	652
13 PS punched rail 23 x 23 mm with mounting bracket PS	651



If PS punched rails or PS punched sections without mounting flanges are installed vertically on roof or base frames, a PS rail is also required for horizontal sub-division.

Rail systems – Installation examples TS 8 enclosure system



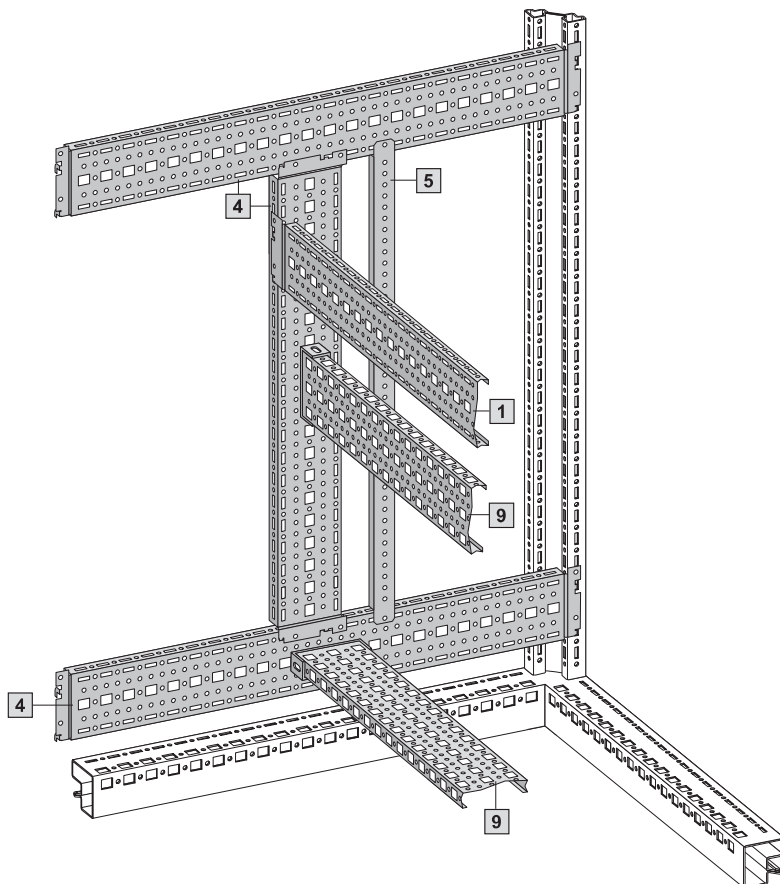
Vertical outer mounting level



Optimum space utilisation and super-fast assembly by mounting the TS punched section with mounting flange directly onto the outer level of the TS 8 vertical section. Simply snap into position and secure!

Installation accessories (Consecutive numbering in accordance with diagram on page 287)	Cat. 33, page
1 TS punched section with mounting flange 17 x 73 mm for the outer level	647
2 TS support strip for the outer level	650
3 TS punched rail 18 x 38 mm ¹⁾ for the <ul style="list-style-type: none"> • outer level • horizontal enclosure sections • adaptor rail for PS compatibility 	650
4 TS punched section with mounting flange, 17 x 73 mm for the inner level	647

¹⁾ Two TS punched rails 18 x 38 mm are included in the supply of enclosures with a mounting plate. After installing the mounting plate, the TS punched rail may be inserted, as shown here.



Vertical inner mounting level



Separate utilisation of the inner level of the TS 8 vertical section, irrespective of the outer level, creates additional opportunities. Even in one enclosure, all installation systems may complement one another perfectly for brand new, customer-specific solutions. Infinite possibilities! Simply snap into position, secure, and voila! Super-fast assembly by mounting the TS punched section with mounting flange directly onto the inner level of the TS 8 vertical section.

Installation accessories (Consecutive numbering in accordance with diagram on page 287)	Cat. 33, page
1 TS punched section with mounting flange 17 x 73 mm for the outer level	647
4 TS punched section with mounting flange 17 x 23 mm for the inner level	647
5 TS support strip for the inner level	650
9 PS punched section without mounting flange 23 x 73 mm, with support bracket PS	652

