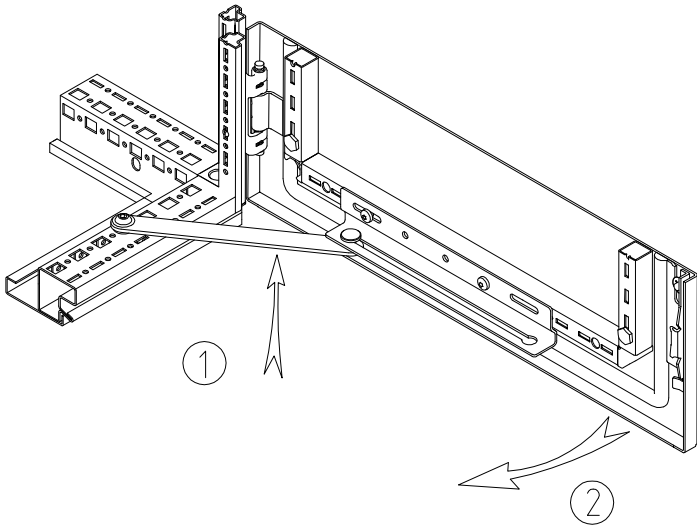


TS/SE



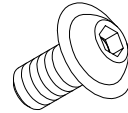
PS
4583.000

10x



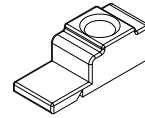
5,5x13

5x



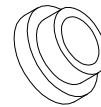
M8x16

5x



M8

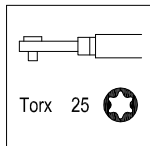
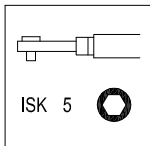
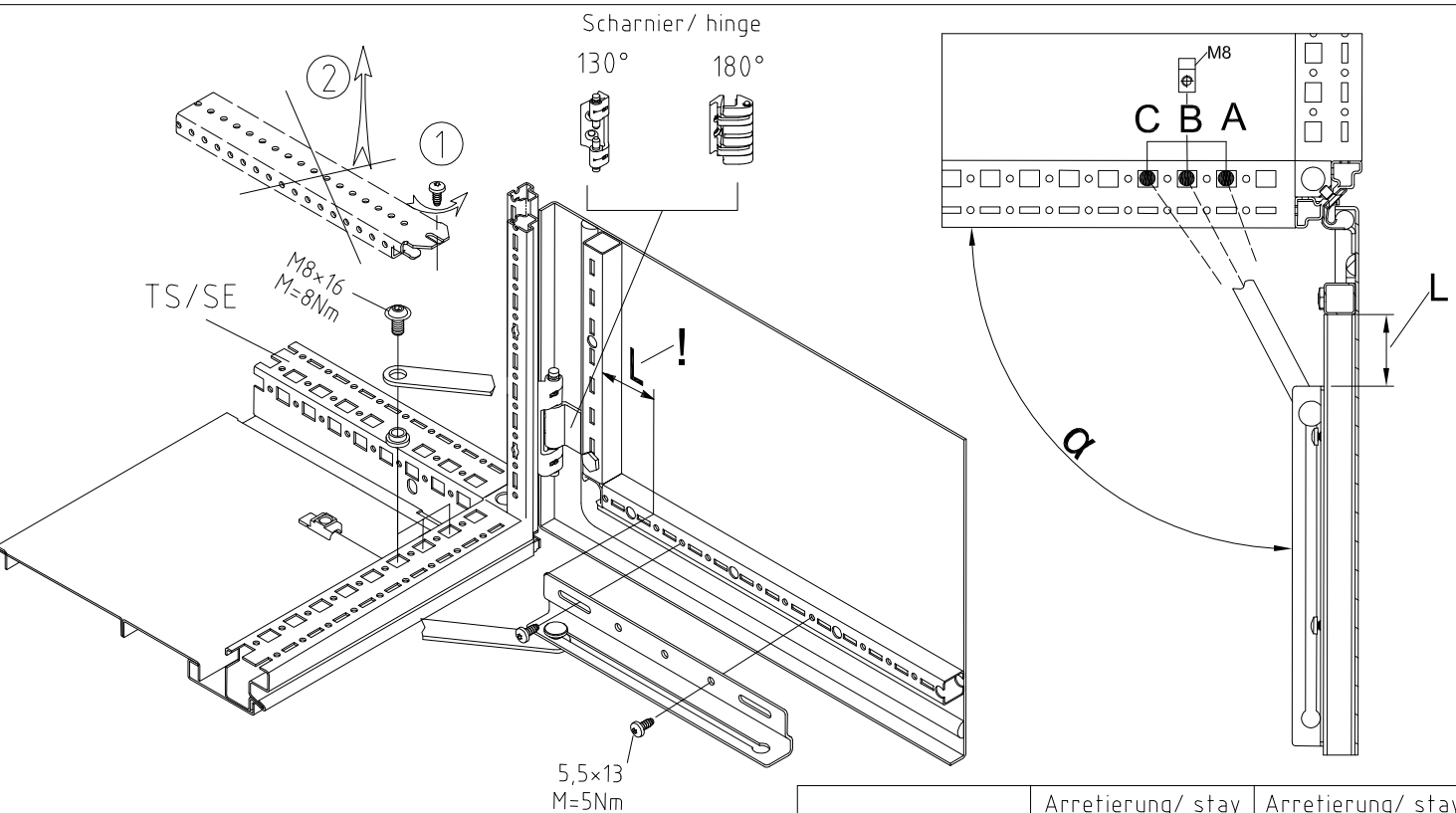
5x



Zchng.-Nr. / No. of dwg. : A2397902PS

Versandbeutel-Nr. / No. of accessory bag : 265369

Lieferanten-Nr. / No. of supplier :



	Arretierung/ stay $\alpha = \text{ca. } 92^\circ$		Arretierung/ stay $\alpha = \text{ca. } 125^\circ$	
	Pos.	L	Pos.	L
Scharnier/hinge 130°	C	40.5	A	40.5
Scharnier/hinge 180°	B	40.5	A	15,5