

Power distribution

RiLine busbar systems (60 mm)

Connection adaptors

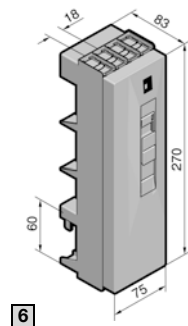
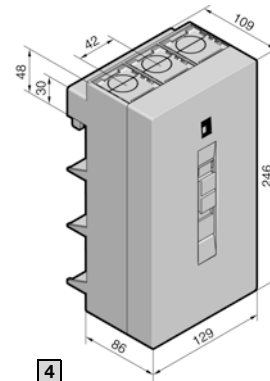
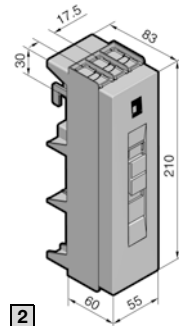
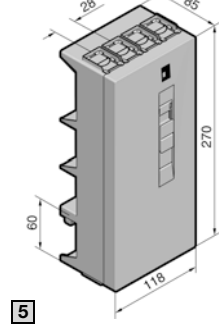
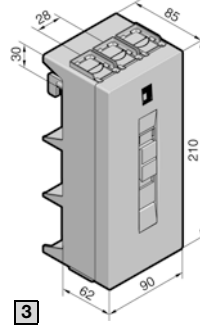
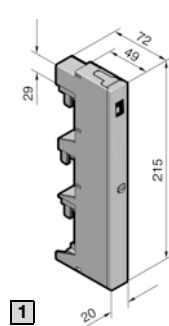
Rated current max. 63 – 800 A

For 60 mm busbar systems

Note:

- For technical information on the connection of conductors and connectors, see chapter 2-101, page 4
- UL approval only applies in conjunction with AC application
- The rated operating voltage for DC applications depends on the busbar arrangement in the busbar support SV 9340.050, SV 9341.050, SV 9342.050

Approvals:



Version		3-pole				4-pole	
		1	2	3	4	5	6
Rated current max.	IEC	63 A	125 A ¹⁾	250 A ¹⁾	800 A	125 A	250 A
	UL	60 A	125 A	250 A	600 A	125 A	250 A
Rated operating voltage	IEC	690 V AC	690 V AC	690 V AC	690 V AC	690 V AC	690 V AC
	UL	600 V AC	600 V AC	600 V AC	600 V AC	600 V AC	600 V AC
Model No. SV							
Cable outlet	Top/bottom	-	9342.220	9342.250	9342.280	9342.224	9342.254
	Top	9342.200	-	-	-	-	-
	Bottom	9342.210	9342.240	9342.270	9342.300	-	-
Rated operating voltage IEC	L1 + L2	1000 V DC	1000 V DC	1000 V DC	1000 V DC	-	-
	L1 + L3	1500 V DC	1500 V DC	1500 V DC	1500 V DC	-	-
Model No. SV							
Cable outlet at the bottom		9342.210	9342.240	9342.270	9342.300	-	-
Model No. SV							

Assembly data for applications to IEC (EN)

	1	2	3	4	5	6
Tightening torque Nm	2	2	6	6	2	6
- Bar attachment	2.5	3	12	14	3	12
- Terminal screw						
Conductor connection Cu mm ²						
- f with wire end ferrule	2.5 – 10	10 – 25	35 – 120	95 – 185	10 – 25	35 – 120
- re	2.5 – 10	-	-	-	-	-
- rm	2.5 – 10	16 – 35	35 – 120	95 – 300	16 – 35	35 – 120
Clamping area for laminated copper bars, W x H mm	-	10 x 7.8	18.5 x 15.5	33 x 20	10 x 7.8	18.5 x 15.5

Assembly data for applications to UL

	1	2	3	4	5	6
Tightening torque Nm	2	2	6	6	2	6
- Bar attachment	5	5	12	18	5	12
- Terminal screw						
Conductor connection Cu	AWG 6 – 10	AWG 2 – 6	AWG 2 – MCM 250	AWG 4/0 – MCM 600	AWG 2 – 6	AWG 2 – MCM 250
Connection of laminated copper bars mm	-	-	-	10 x 32 x 1 ²⁾	-	-

Material specifications

	1	2	3	4	5	6
Contact track: E-Cu, nickel-plated	■	■	■	■	■	■
Conductor connection clamp	■	■	-	-	■	■
Sheet steel, zinc-plated	-	-	-	-	-	-
Cast brass, nickel-plated	-	-	■	■	-	■

¹⁾ Higher rated currents for laminated copper bars available on request

²⁾ Number of lamina x lamina width x lamina thickness

Connection adaptors

Rated current max. 600 – 1600 A

For 60 mm busbar systems

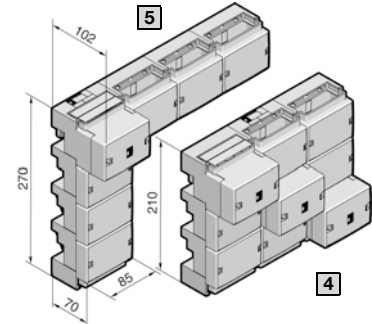
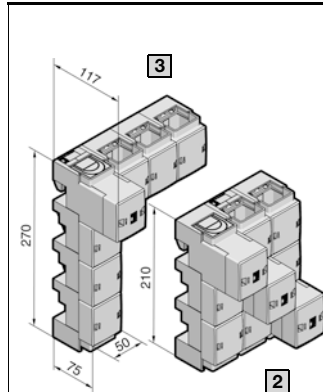
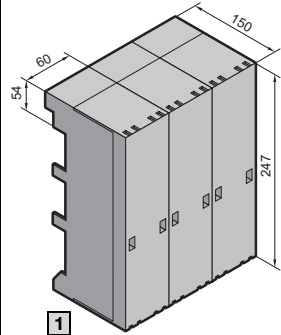
Note:

- For technical information on the connection of conductors and connectors, see chapter 2-101, page 4
- UL approval only applies in conjunction with AC application
- The rated operating voltage for DC applications depends on the busbar arrangement in the busbar support SV 9340.050, SV 9341.050, SV 9342.050

SV 3439.010

When connecting round conductors 300 mm² with ring terminals, the terminal clamps fitted as standard in the busbar connection adaptors must be replaced with screws and/or bolts M10 (tightening torque 20 Nm).

Approvals:



Version		1
		3-pole
Rated current max.	IEC	600 A
	UL	–
Rated operating voltage	IEC	690 V AC
	UL	–
Rated operating voltage IEC	L1 + L2	–
	L1 + L3	–
		Model No. SV
Cable outlet top/bottom		3439.010

	2	3	4	5
	3-pole	Expansion set for 4-pole configuration	3-pole	Expansion set for 4-pole configuration
Rated current max.	800 A	800 A	1600 A	1600 A
	700 A	700 A	1400 A	1400 A
Rated operating voltage	690 V AC	690 V AC	690 V AC	690 V AC
	600 V AC	600 V AC	600 V AC	600 V AC
Rated operating voltage IEC	1000 V DC	–	1000 V DC	–
	1500 V DC	–	1500 V DC	–
		Model No. SV		Model No. SV
	9342.310 (UL)	9342.314 (UL)	9342.320 (UL)	9342.324 (UL)

Assembly data for applications to IEC (EN)

Tightening torque Nm	– Bar attachment	20
	– Terminal screw	15
Conductor connection Cu mm ²	– f with wire end ferrule	35 – 240
	– rm	35 – 240
Clamping area for laminated copper bars W x H mm	– For 5 mm bar thickness	24 x 21
	– For 10 mm bar thickness	24 x 21

	–	–
	14	20
	95 – 185 ¹⁾	–
	95 – 300	–
	33 x 26	65 x 27
	33 x 21	65 x 22

Assembly data for applications to UL

Tightening torque Nm	
– Terminal screw	–
Conductor connection Cu	–
Connection of laminated copper bars mm	–

	16.5
	AWG 4/0 – MCM 600
	10 x 32 x 1 ²⁾
	22
	–
	10 x 63 x 1 ²⁾

Material specifications

Contact track:		
E-Cu, silver-plated		■
Conductor connection clamp	Cast brass, nickel-plated	■
	Stainless steel	–

	■	■
	■	–
	–	■

¹⁾ Fine-wire without wire end ferrule up to 240 mm². Tightening torque 20 Nm

²⁾ Number of lamina x lamina width x lamina thickness