
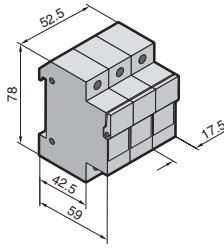
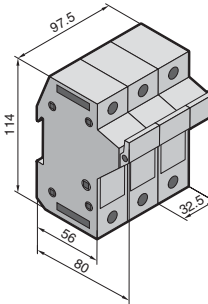
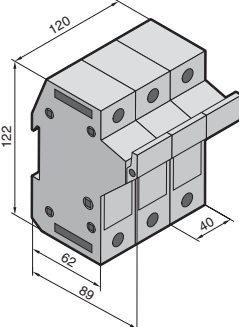





Fuse holders

Rated operating current max. 30 – 60 A

| Version | 3-pole, for top-hat rail mounting to EN 60 715 | | |
|---|---|--|---|
| <p>For use of fuses</p> <ul style="list-style-type: none"> – SV 9345.000: Class CC (UL 4248-4) – SV 9345.010/.030: Class J (UL 4248-8) <p>Note: SV 9345.010 – May also be used for cylindrical fuses 22 x 58 mm to French standards without UL licensing</p> <p>Approvals:  US LISTED E235931</p> <p>Standards: UL 512, C 22.2 No. 39</p> |  |  |  |
| Fuse type (class) | CC | J | J |
| Rated operating current max. | 30 A | 30 A | 60 A |
| Rated operating voltage | 600 V AC | 600 V AC | 600 V AC |
| Fuse size mm | 10 x 38 | 21 x 57 | 27 x 60 |
| Switching capacity RMS Sym. Rating | 200 kA | 200 kA | 200 kA |
| Min. voltage, indicator light | 115 V AC/115 V DC | 115 V AC/115 V DC | 115 V AC/115 V DC |
| Contact hazard protection | IP 20 ¹⁾ | IP 20 ¹⁾ | IP 20 ¹⁾ |
| Model No. SV | 9345.000  | 9345.010  | 9345.030  |

Assembly data for applications to UL

| | | | | |
|---------------------------------------|-----------------|---|--|--|
| Tightening torque – Terminal screw | | 2 Nm 14.75 in-lbs solid/stranded Cu | 4 Nm 35 in-lbs solid/stranded Cu | 5 Nm 45 in-lbs solid/stranded Cu |
| Conductor connection | AWG | 6 – 14 | 2 – 14 | 2 – 14 |
| | mm ² | 2.5 – 10 | 2.5 – 25 | 2.5 – 25 |

¹⁾ In the operating area

Mounting example on 60 mm bar systems


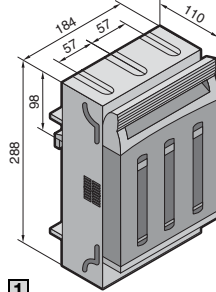
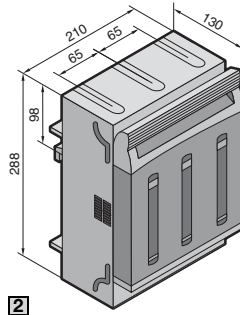
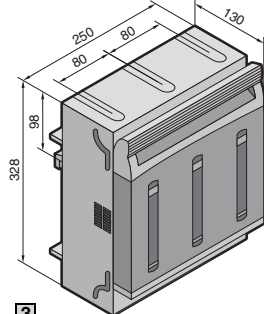
| Required accessories | | For fuse holder | | |
|----------------------|----------------|-----------------|-------------|-------------|
| Model No. SV | Designation | SV 9345.000 | SV 9345.010 | SV 9345.030 |
| 9340.260 | OM support | – | 1 St. | – |
| 9340.270 | OM support | – | – | 1 St. |
| 9340.280 | Connection pin | – | 3 St. | 6 St. |
| 9340.290 | Insert strip | – | – | 1 St. |
| 9340.410 | OM adaptor | – | 1 St. | 1 St. |
| 9340.460 | OM adaptor | 1 St. | – | – |
| 9342.880 | Support rail | – | 1 St. | – |
| 9342.950 | Support rail | 1 St. | 1 St. | 2 St. |

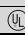
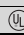

Power distribution

RiLine fuse elements

Fuse holders

Rated operating current max. 100 – 400 A

| Version | 3-pole, for 60 mm bar systems | | |
|---|---|--|--|
| For use of J-Class fuses to UL 4248-8 Approvals:  E235931 Standards: UL 4248-1/UL 4248-8 CSA C22.2 No. 4248.107 CSA C22.2 No. 4248.8-07 |    | | |

| Version | 1 | 2 | 3 |
|------------------------------|---|--|---|
| Rated operating current max. | 61 – 100 A | 101 – 200 A | 201 – 400 A |
| Rated operating voltage | 600 V AC | 600 V AC | 600 V AC |
| Fuse size mm | 29 x 118 | 41 x 146 | 54 x 181 |
| Contact hazard protection | IP 10 | IP 10 | IP 10 |
| Model No. SV | 9345.100  | 9345.200  | 9345.400  |

Assembly data for applications to UL

| | | | |
|----------------------|-----------------|-------------------|-------------------|
| Tightening torque Nm | | | |
| – Bar attachment | 6 | 8 | 8 |
| – Terminal screw | 12 | 20 | 20 |
| Type of connection | Box terminal | Box terminal | Box terminal |
| Conductor connection | AWG 2 – MCM 300 | AWG 4/0 – MCM 600 | AWG 4/0 – MCM 600 |

Material specifications

| | | | |
|---|---|---|---|
| Contact track: E-Cu, silver-plated | ■ | ■ | ■ |
| Box terminal: | | | |
| – Frame: Steel | | | |
| – Cable clamp: Aluminium | ■ | ■ | ■ |
| – Clamping plate: Cast brass, nickel-plated | | | |