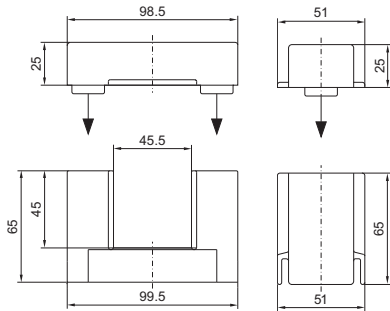
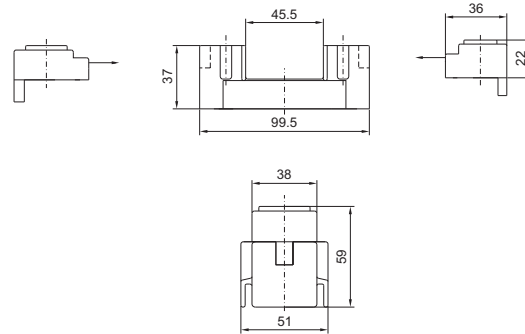


### Maxi-PLS 1600/2000

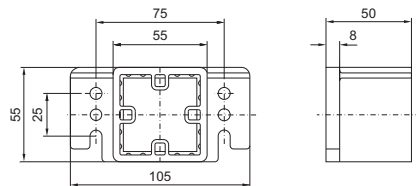
**Busbar support**  
SV 9649.000



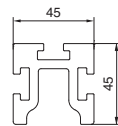
**Busbar support, suitable for top mounting**  
SV 9649.160



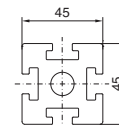
**End support**  
SV 9649.010



**Busbar**  
Maxi-PLS 1600

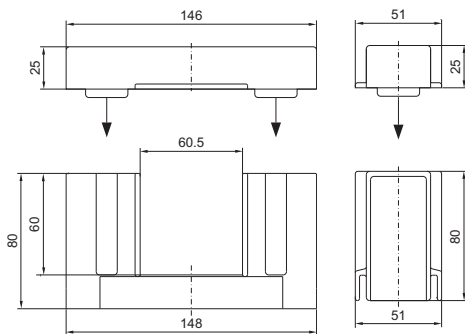


**Busbar**  
Maxi-PLS 2000

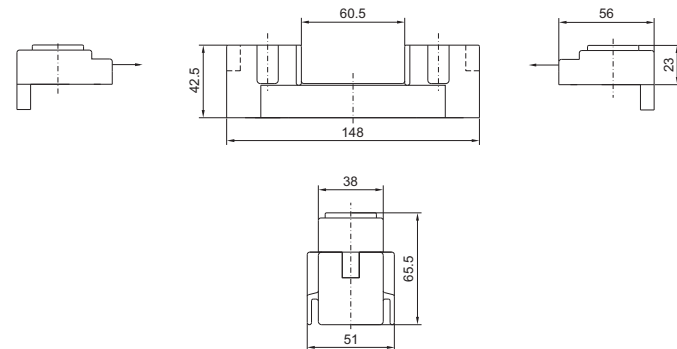


### Maxi-PLS 3200

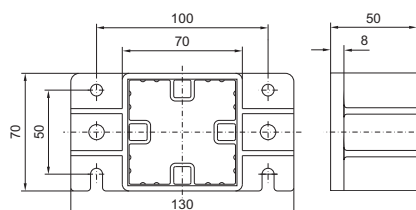
**Busbar support**  
SV 9659.000



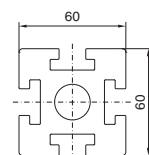
**Busbar support, suitable for top mounting**  
SV 9659.160



**End support**  
SV 9659.010



**Busbar**  
Maxi-PLS 3200

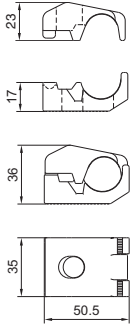


# Power distribution

## Maxi-PLS system components

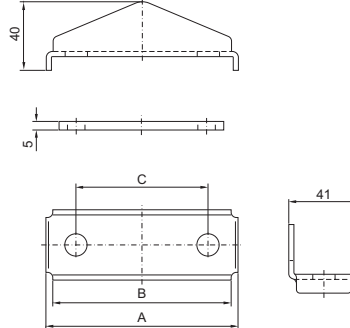
### Maxi-PLS 1600/2000/3200

#### Connection clamps



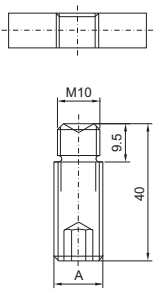
Model No. SV	Sliding block	Terminal stud	Grub screw
9640.325	M10	M12/M10	-
9650.325	M12	-	M12

#### Connection plates

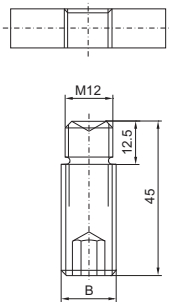


Model No. SV	Size	A mm	B mm	C mm	T-head screws	Tightening torque
9640.330	1	81	73	46	M10	20 Nm
9640.340	2	112	104	77	M10	25 Nm
9640.350	3	149	141	114	M10	30 Nm
9650.330	1	81	73	46	M12	25 Nm
9650.340	2	112	104	77	M12	30 Nm

#### Terminal studs (1600/2000)

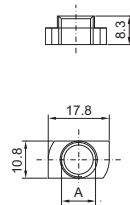


#### Terminal studs (3200)

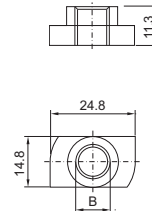


Model No. SV	A	B
9640.370	M12	-
9640.380	M16	-
9650.370	-	M12
9650.380	-	M16

#### Sliding nuts (1600/2000)



#### Sliding nuts (3200)



Model No. SV	A	B
9640.900	M6	-
9640.910	M8	-
9640.920	M10	-
9650.900	-	M6
9650.905	-	M8
9650.910	-	M10
9650.920	-	M12