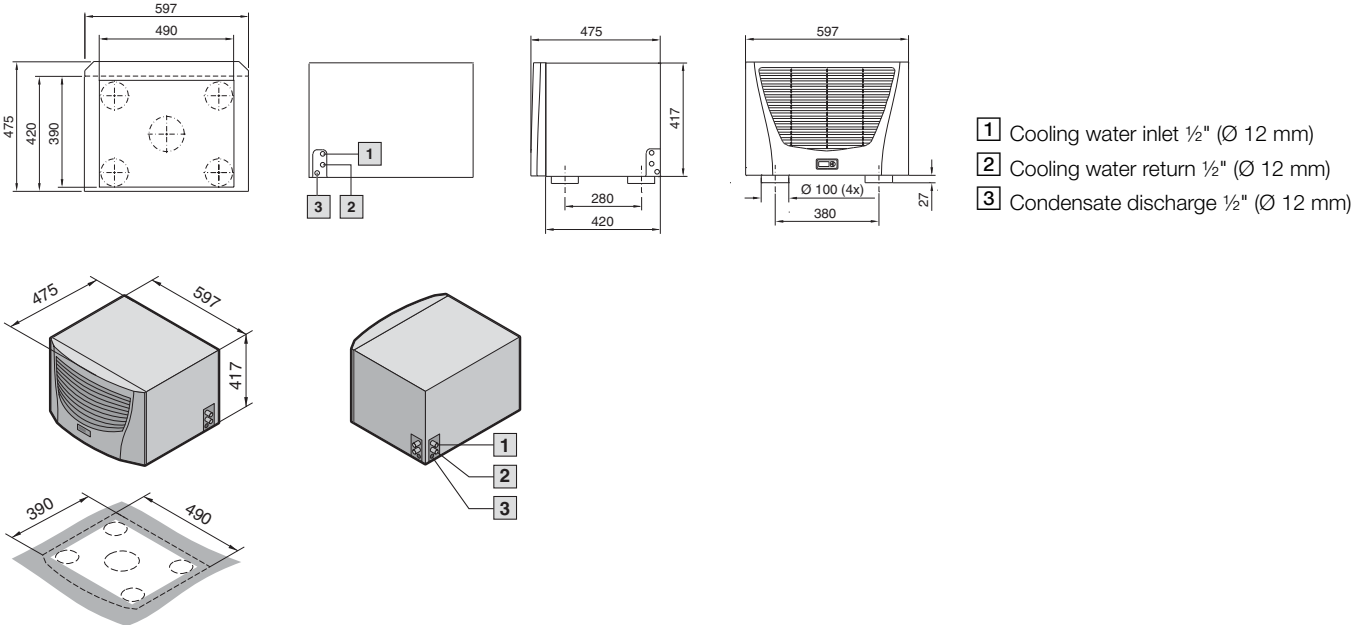
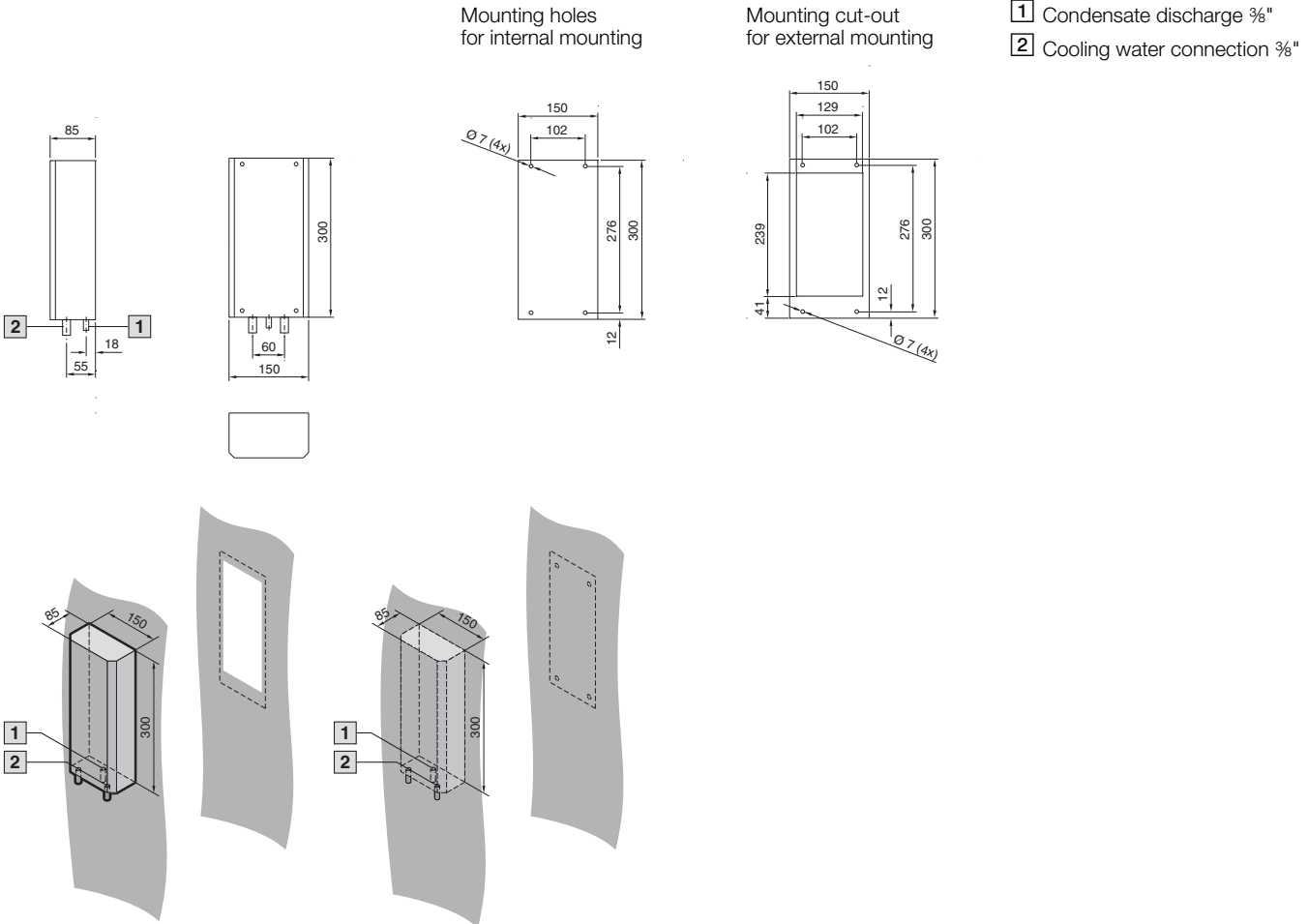


Air/water heat exchangers

Roof-mounted, SK 3209.XXX, SK 3210.XXX



Wall-mounted, SK 3212.XXX

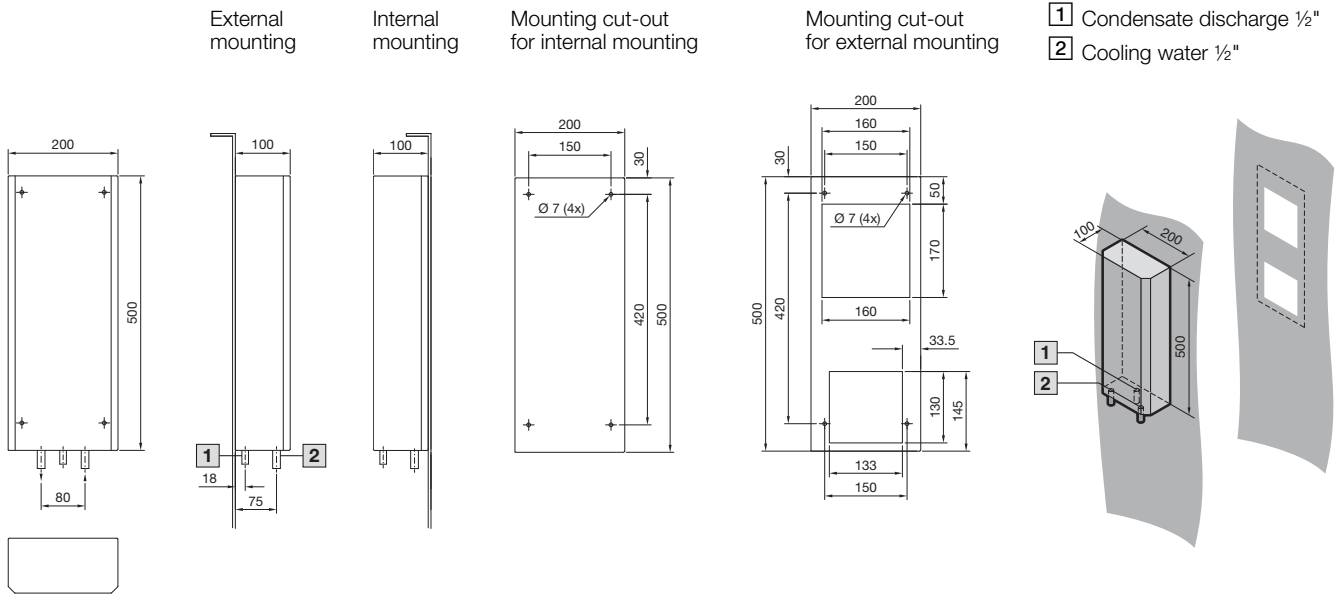


Climate control

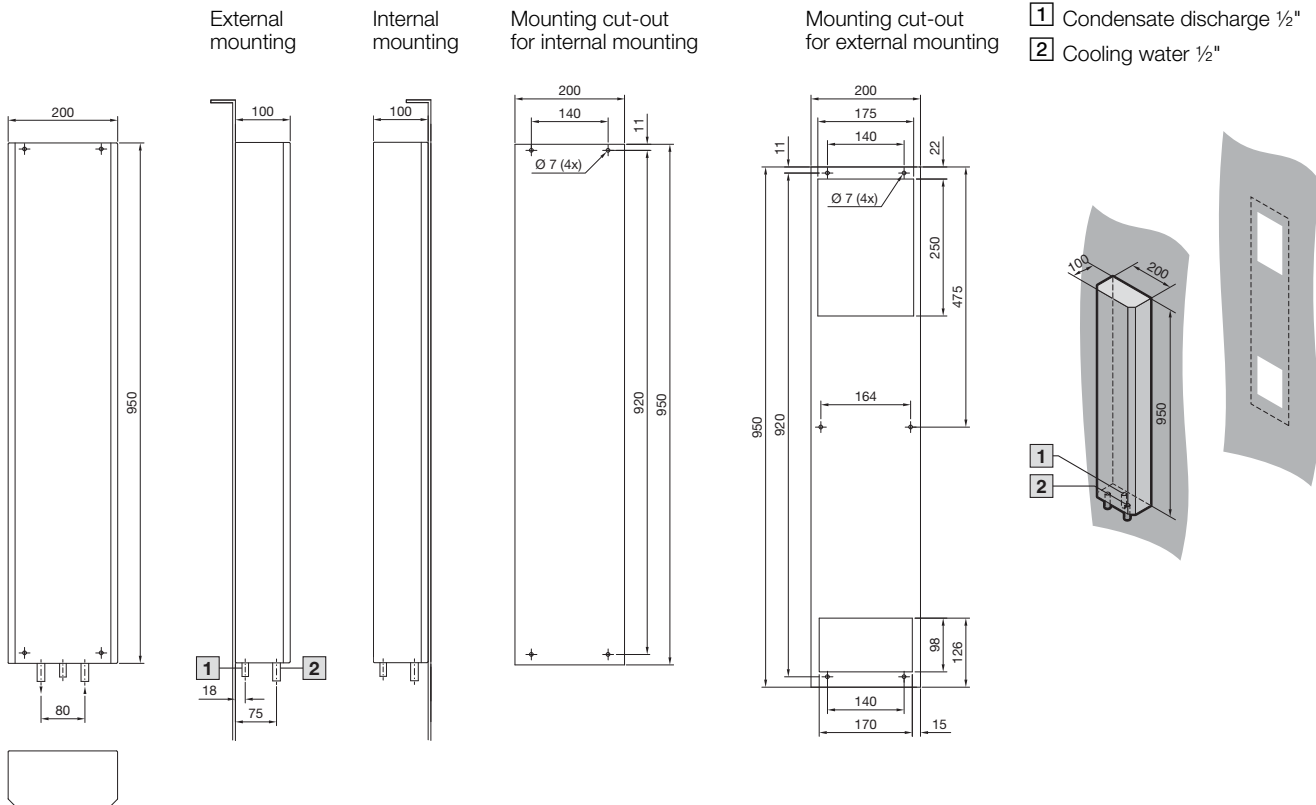
Cooling with water

Air/water heat exchangers

Wall-mounted, SK 3214.XXX

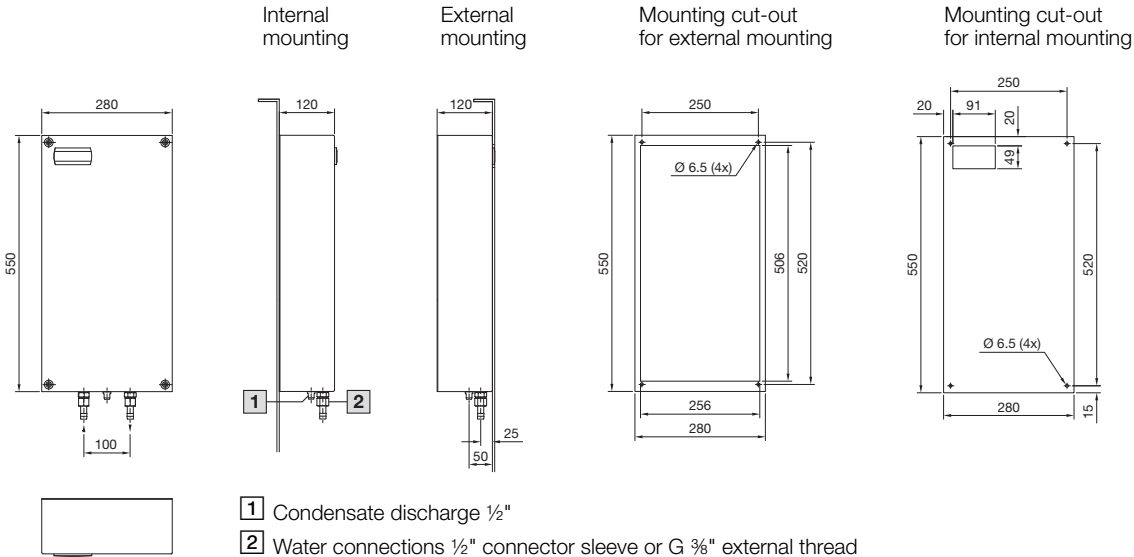


Wall-mounted, SK 3215.XXX

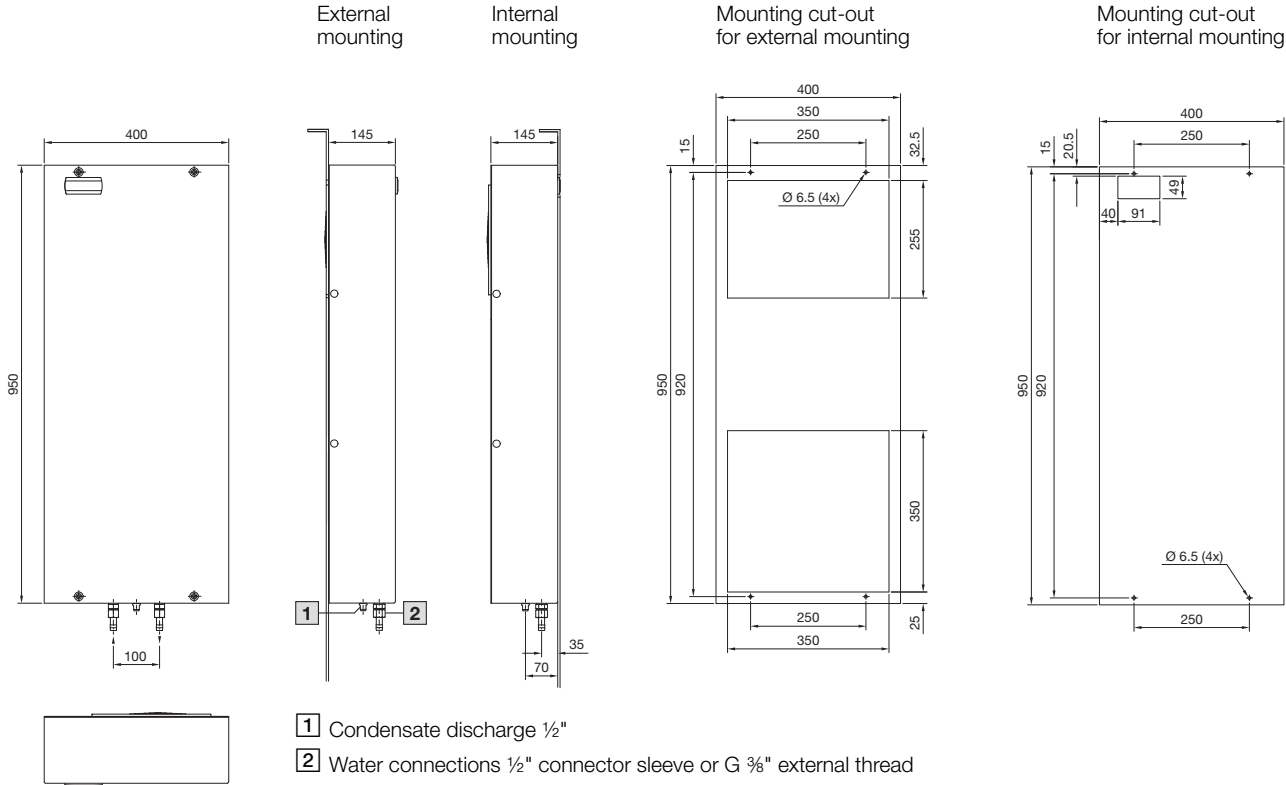


Air/water heat exchangers

Wall-mounted, SK 3363.XXX, SK 3364.XXX

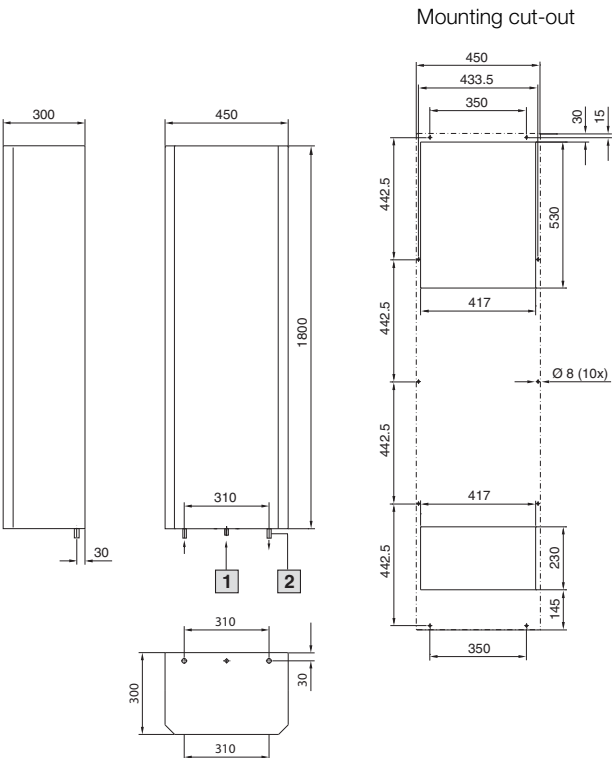


Wall-mounted, SK 3373.XXX, SK 3374.XXX



Air/water heat exchangers

Wall-mounted, SK 3216.480



- 1 Condensate discharge 1/2"
- 2 Water connections 1/2" connector sleeve or G 3/8" external thread

