

# Climate control

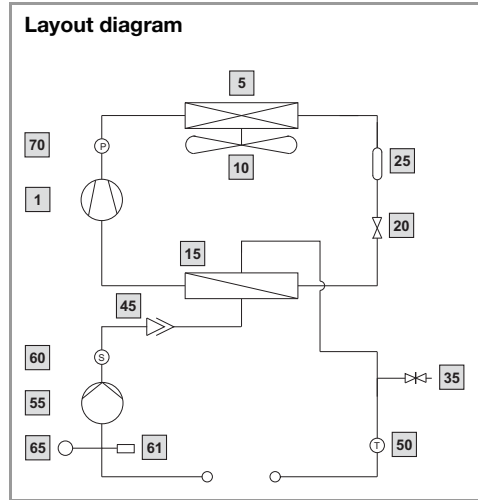
## Cooling with water

### TopTherm chillers

SK 3318.XXX, SK 3319.XXX

#### Key to the adjacent drawing:

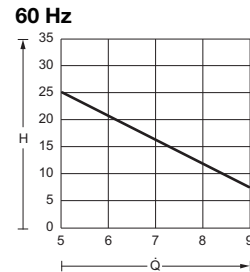
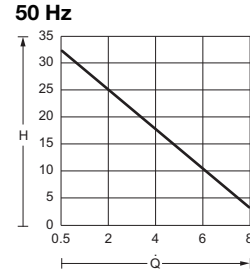
- 1 Compressor
- 5 Condenser
- 10 Condenser fan
- 15 Evaporator coil
- 20 Expansion valve
- 25 Filter dryer
- 35 Filler
- 45 Vent valve
- 50 Temperature sensor
- 55 Pump
- 60 Flow monitor
- 61 Overpressure valve
- 65 Pressure relief valve/ alternatively tank
- 70 High-pressure switch



**Note:**  
With an externally lockable cooling cycle, a bypass (overpressure valve) should be provided in the external water pipes.

#### Characteristic curves of pump

Model No.  
SK 3318.600/SK 3318.610/  
SK 3319.600/SK 3319.610

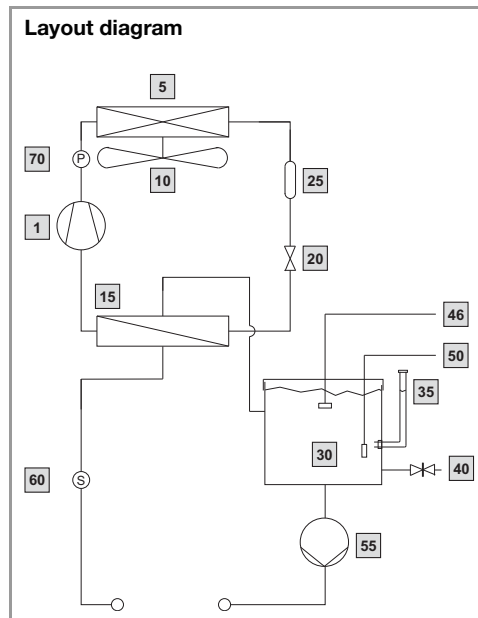


H = Delivery head H [m]  
Q = Delivery flow Q [l/min]

SK 3320.600, SK 3334.XXX

#### Key to the adjacent drawing:

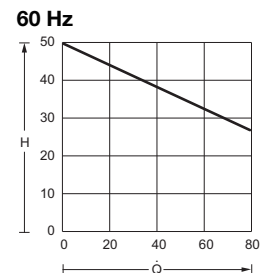
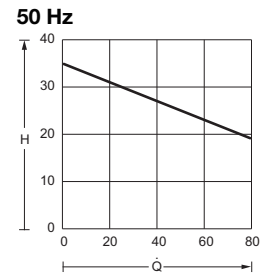
- 1 Compressor
- 5 Condenser
- 10 Condenser fan
- 15 Evaporator coil
- 20 Expansion valve
- 25 Filter dryer
- 30 Tank
- 35 Filler
- 40 Tank drain
- 46 Water level switch, optional
- 50 Temperature sensor
- 55 Pump
- 60 Flow monitor
- 70 High-pressure switch



**Note:**  
With an externally lockable cooling cycle, a bypass (overpressure valve) should be provided in the external water pipes.

#### Characteristic curves of pump

Model No.  
SK 3320.600/SK 3334.600/SK 3334.660



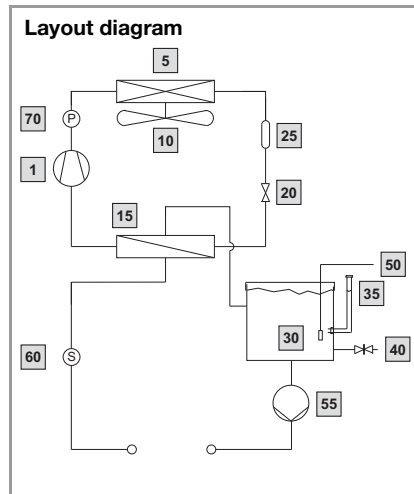
H = Delivery head H [m]  
Q = Delivery flow Q [l/min]

### TopTherm chillers

Wall-mounted, SK 3360.XXX

#### Key to the adjacent drawing:

- 1 Compressor
- 5 Condenser
- 10 Condenser fan
- 15 Evaporator coil
- 20 Expansion valve
- 25 Filter dryer
- 30 Tank
- 35 Filler
- 40 Tank drain
- 50 Temperature sensor
- 55 Pump
- 60 Flow monitor
- 70 High-pressure switch



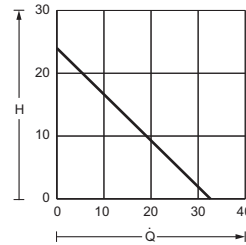
#### Note:

With an externally lockable cooling cycle, a bypass (overpressure valve) should be provided in the external water pipes.

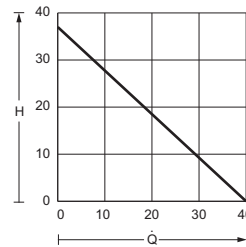
#### Characteristic curves of pump

Model No.  
SK 3360.100/SK 3360.250

##### 50 Hz



##### 60 Hz

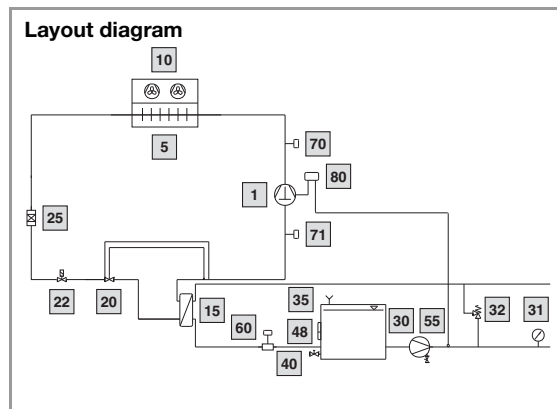


H = Delivery head H [m]  
Q = Delivery flow Q [l/min]

### SK 3335.XXX

#### Key to the adjacent drawing:

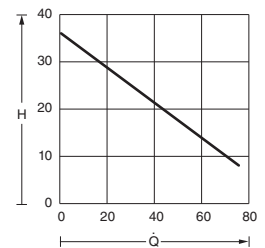
- 1 Compressor
- 5 Condenser
- 10 Condenser fan
- 15 Evaporator coil
- 20 Expansion valve
- 22 Magnetic valve
- 25 Filter dryer
- 30 Tank
- 31 Manometer
- 32 Automatic bypass valve (optional)
- 35 Filler
- 40 Tank drain
- 48 Level indicator
- 55 Pump
- 60 Flow monitor (optional)
- 70 High-pressure switch
- 71 Low-pressure switch
- 80 Thermostat



#### Characteristic curves of pump

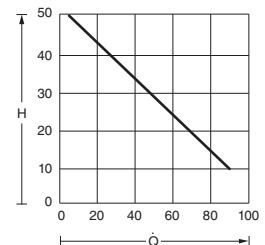
Model No.  
SK 3335.790/SK 3335.830

##### 50 Hz



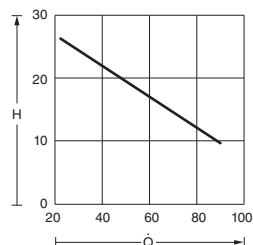
Model No.  
SK 3335.790/SK 3335.830

##### 60 Hz



Model No.  
SK 3335.840/SK 3335.850

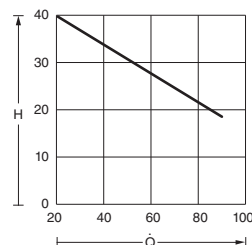
##### 50 Hz



H = Delivery head H [m] Q = Delivery flow Q [l/min]

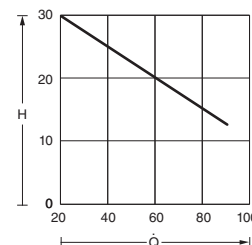
Model No.  
SK 3335.840/SK 3335.850

##### 60 Hz



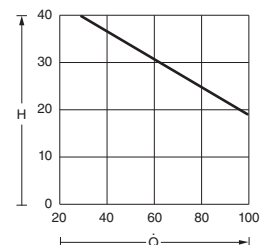
Model No.  
SK 3335.860/SK 3335.870

##### 50 Hz



Model No.  
SK 3335.860/SK 3335.870

##### 60 Hz



# Climate control

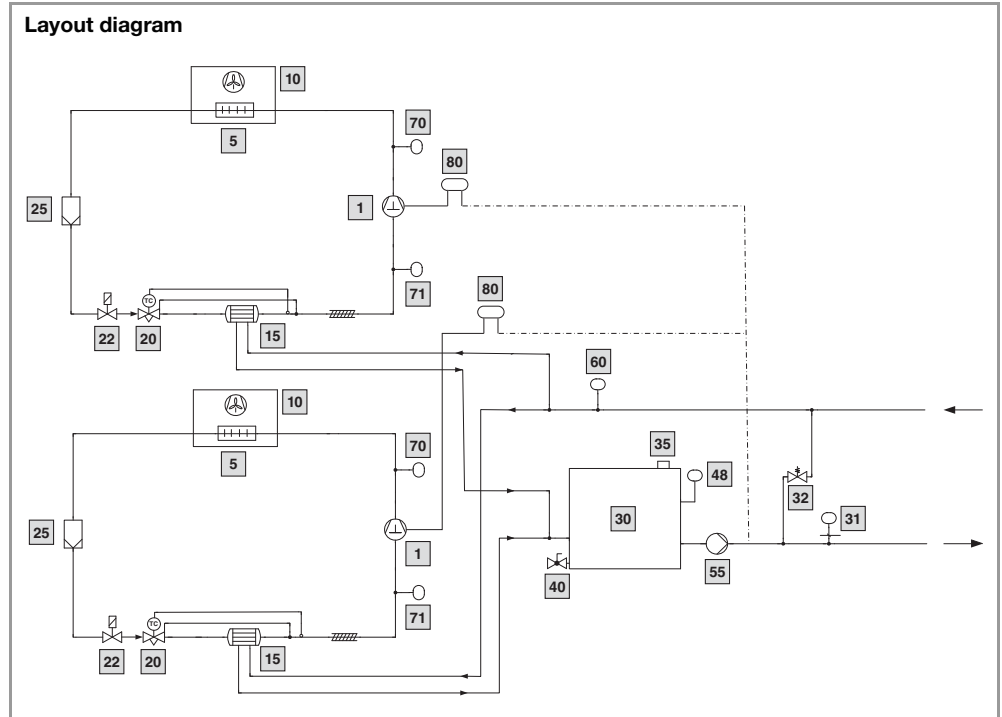
## Cooling with water

### TopTherm chillers

SK 3335.880, SK 3335.890

#### Key to the adjacent drawing:

- 1 Compressor
- 5 Condenser
- 10 Condenser fan
- 15 Evaporator coil
- 20 Expansion valve
- 22 Magnetic valve
- 25 Filter dryer
- 30 Tank
- 31 Manometer
- 32 Automatic bypass valve (optional)
- 35 Filler
- 40 Tank drain
- 48 Level indicator
- 55 Pump
- 60 Flow monitor (optional)
- 70 High-pressure switch
- 71 Low-pressure switch
- 80 Thermostat

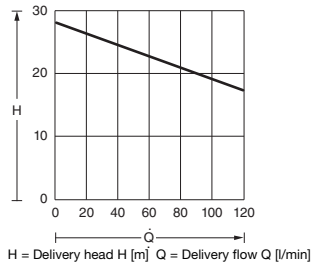


#### Characteristic curves of pump

Model No.  
SK 3335.880/SK 3335.890

Model No.  
SK 3335.880/SK 3335.890

##### 50 Hz



##### 60 Hz

