

Rittal – The System.

Faster – better – everywhere.



Seitenwand, geteilt

Side panel, divided

Panneau latéral, en deux parties

DK 5501.000	DK 5501.070	DK 5501.065
DK 5501.010	DK 5501.005	DK 5501.075
DK 5501.020	DK 5501.015	DK 5501.085
DK 5501.030	DK 5501.025	DK 5501.095
DK 5501.040	DK 5501.035	DK 5501.105
DK 5501.050	DK 5501.045	
DK 5501.060	DK 5501.055	

Montageanleitung
Assembly instructions
Notice de montage

ENCLOSURES

POWER DISTRIBUTION

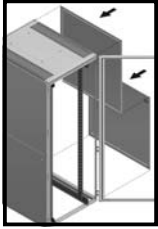
CLIMATE CONTROL

IT INFRASTRUCTURE

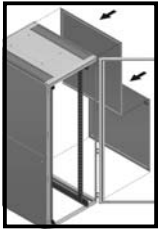
SOFTWARE & SERVICES

FRIEDHELM LOH GROUP

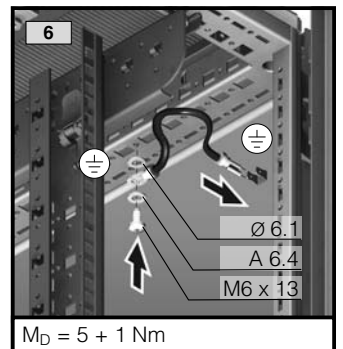
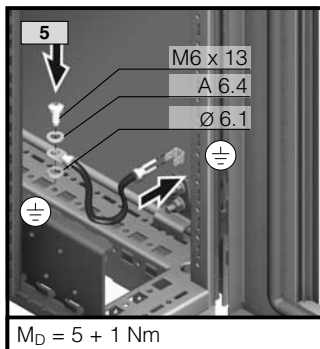
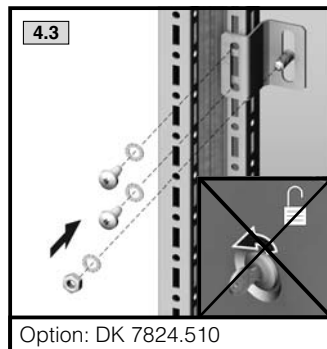
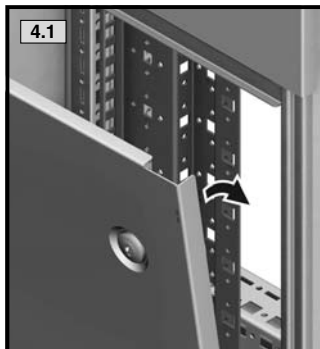
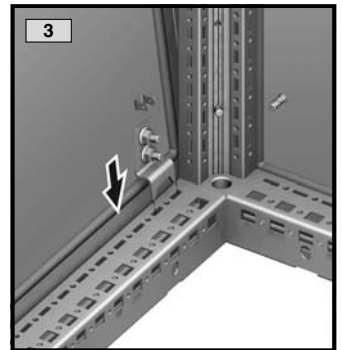
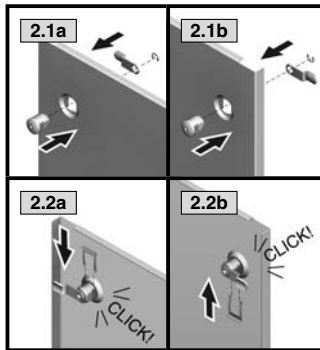
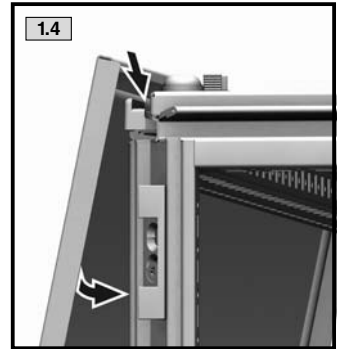
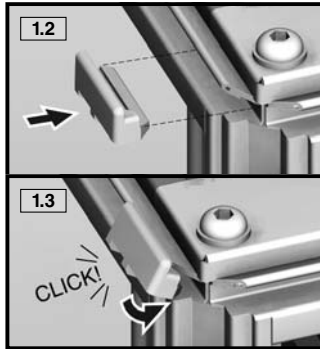
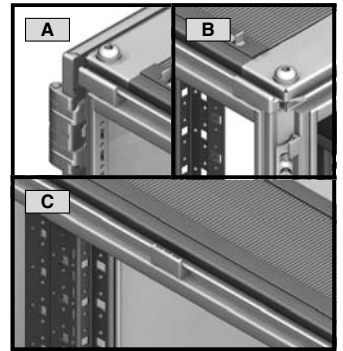
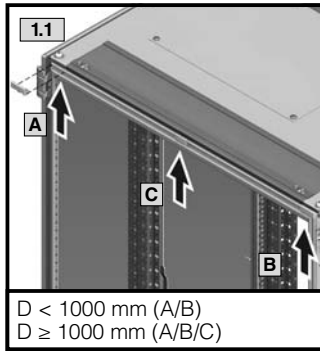
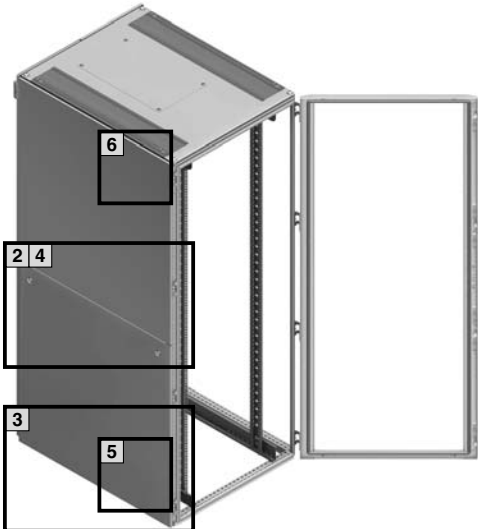
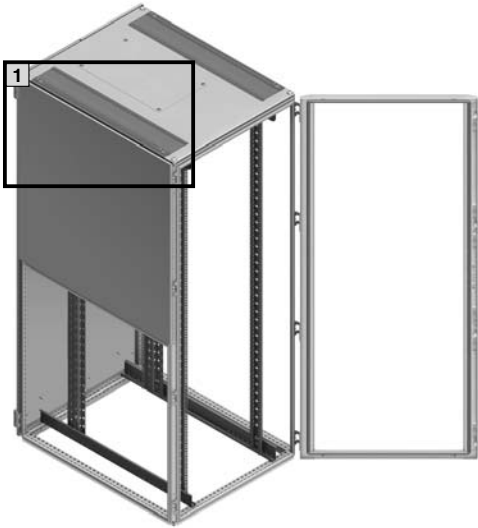




		H mm	D mm	RAL 7035		Ral 9005	
Best.-Nr. DK Model No. DK Référence DK		1800	800	5501.000	-	5501.005	-
		2000	600	5501.010	-	5501.015	-
		2000	800	5501.020	-	5501.025	-
		2000	1000	-	5501.030	-	5501.035
		2000	1050	-	-	-	5501.095
		2000	1100	-	-	-	5501.085
		2000	1200	-	5501.040	-	5501.045
		2200	800	5501.050	-	5501.055	-
		2200	1000	-	5501.060	-	5501.065
		2200	1050	-	-	-	5501.105
		2200	1200	-	5501.070	-	5501.075
						1 x	1 x
	A			1 x	1 x	1 x	1 x
	B			-	1 x	-	1 x
	C			1 x	1 x	1 x	1 x
				2 x	2 x	2 x	2 x
		0,3 m		2 x	2 x	2 x	2 x
		M6 x 13		2 x	2 x	2 x	2 x
		A 6.4		2 x	2 x	2 x	2 x
		Ø 6,1		2 x	2 x	2 x	2 x
				2 x	2 x	2 x	2 x
				2 x	2 x	2 x	2 x



TX25

Rittal – The System.

Faster – better – everywhere.

- Enclosures
- Power Distribution
- Climate Control
- IT Infrastructure
- Software & Services

11.2015/D-0000-00000470

You can find the contact details of all Rittal companies throughout the world here.



www.rittal.com/contact

ENCLOSURES

POWER DISTRIBUTION

CLIMATE CONTROL

IT INFRASTRUCTURE

SOFTWARE & SERVICES

FRIEDHELM LOH GROUP

