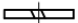
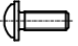
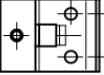
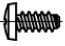





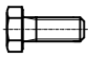




TS/SV

8609.040	8609.050
8609.060	8609.080
8609.260	8609.450
8609.650	8609.840
8609.850	8609.860
9659.580	9659.590
9660.610	9660.620

Raum für Verpackungsdatum  
Area for date of packing  
(MMJJTT / MMYYDD)

- 1x  A8
- 8x  M6x12
- 8x  M8x30
- 16x  Bz 5,5x13
- 1x 

- 2x  Ø9
- 2x  M8
- 1x  M8x30
- 1x  A8,4
- 1x  A8,2

Zchng.-Nr. / No. of dwg. : A2281006TS

Versandbeutel-Nr. / No. of accessory bag : 277388

Lieferanten-Nr. / No. of supplier :

