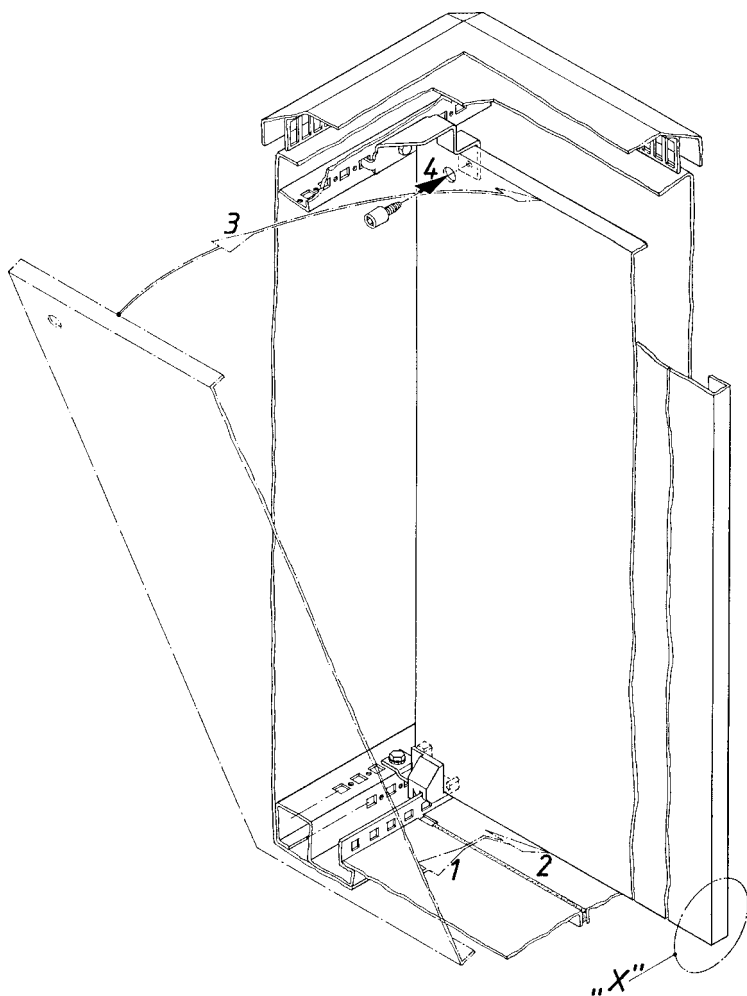
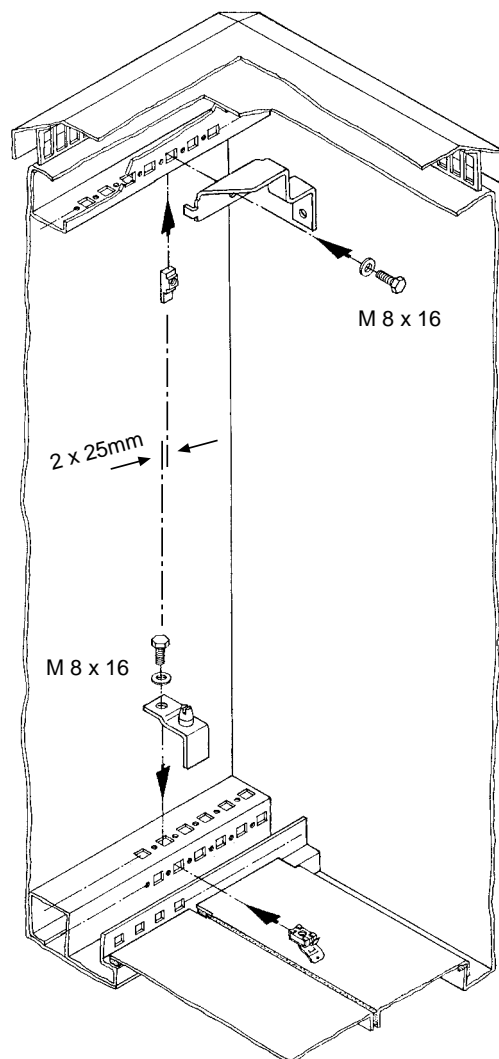
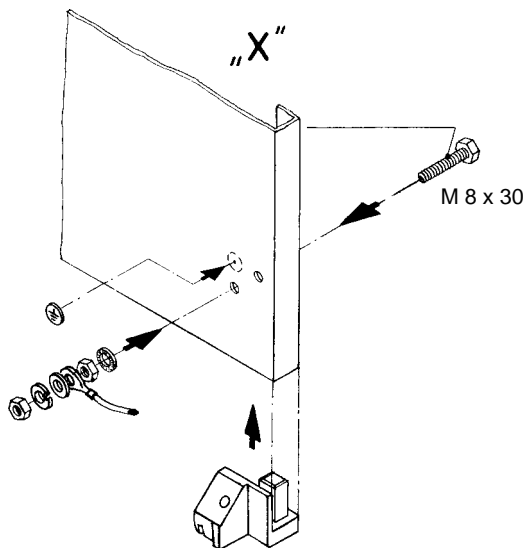


Einbau der Montageplatte

Installation of the mounting plate



Montageplatten
Mounting plates

Für Gehäuseabmessungen B x H mm For enclosure dimensions W x H mm	Breite x Höhe mm w x h mm	Best.-Nr. CS Model no. CS
600 x 800	499 x 696	9765.090
600 x 1200	499 x 1096	9765.092
600 x 1400	499 x 1296	9765.098
800 x 800	699 x 696	9765.097
800 x 1200	699 x 1096	9765.095
800 x 1400	699 x 1296	9765.099
1200 x 800	1099 x 696	9765.190
1200 x 1200	1099 x 1096	9765.191
1200 x 1400	1099 x 1296	9765.192
1200 x 800	499 x 696	2x9765.090
1200 x 1200	499 x 1096	2x9765.092
1200 x 1400	499 x 1296	2x9765.098

