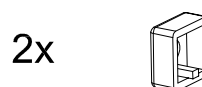
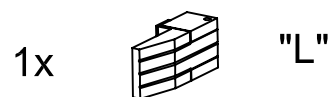
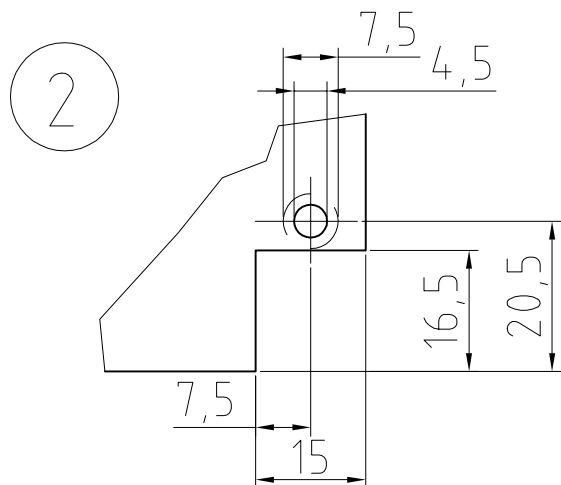
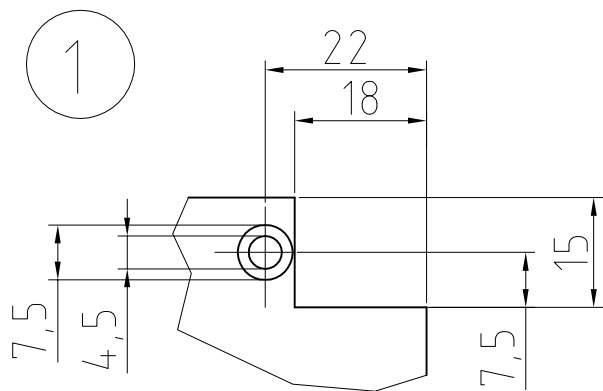




Raum für Verpackungsdatum
Area for date of packing
(MMJJTT / MMYDD)



Zchng.-Nr. / No. of dwg. : A3491300IT
Versandbeutel-Nr. / No. of accessory bag :-

Lieferanten-Nr. / No. of supplier :

