

# Rittal – The System.

Faster – better – everywhere.

## ► Outdoor system solutions



ENCLOSURES

POWER DISTRIBUTION

CLIMATE CONTROL

IT INFRASTRUCTURE

SOFTWARE & SERVICES



FRIEDHELM LOH GROUP

# At home in any outdoor application







## Energy

- Mounting benefits – Flexible basic enclosure, optionally with doors front and rear, for rapid interior installation and optimum on-site accessibility
- Variable base mounting – Easy to plan, because it is suitable for all site conditions: Concrete base/plinth, base plate, plastic base/plinth

## Water industry

- Ideal material – Powder-coated aluminium for a long service life and corrosion resistance, plus fast machining of cut-outs
- Fast interior installation – All-round 25 mm system punchings and an extensive range of system accessories help to reduce assembly time

## Telecommunications

- Fully integrated system solutions for mobile communications and broadband network installation reduce planning complexity
- Vandal-resistant – Enclosure solutions up to resistance category RC4

## Telematics

- Optimum protection against corrosion – Coordinated mix of materials for heavily contaminated roadside environments increases servicing intervals



# CS New Basic enclosures – Flexibility included



## Systematic roof concept

Multi-functional benefits:

- Roof projection increases the proportion of shading
- Air exchange with all-round louvred grilles
- Fan for active climate control is covered in an IP-compatible manner



## Integral transport options

- Eyebolts on the inner roof, concealed by the rain canopy
- For transporting the fully loaded unit by crane



## Systematic installation benefits

- System compatibility thanks to TS 8 system punchings in the base
- Extensive range of system-compatible accessories for individual installations





# CS New Basic enclosures



**Climate control** Cat. 34, page 307 **Rail systems** Cat. 34, page 610 – 612 **Cable management** Cat. 34, page 650

Outdoor enclosure with 100 mm transport plinth and rain canopy with projections on all sides.

**Material:**

- Aluminium AlMg3

**Surface finish:**

- Powder-coated
- UV-resistant pure polyester

**Colour:**

- RAL 7035

**Protection category IP to IEC 60 529:**

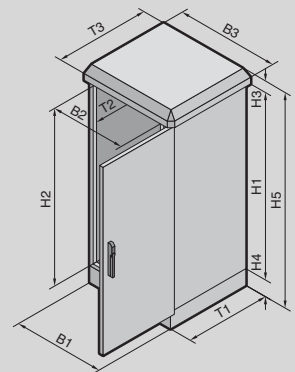
- IP 55
- NEMA 3R

**Supply includes:**

- Single-walled outdoor enclosure, fully pre-configured
- Basic enclosure with three-part gland plate
- 25 mm system punchings in the roof, base, front and in the enclosure depth
- Front door(s) with door stay, swing lever handle and semi-cylinder, lock BJ 20027
- Transport plinth with screw-fastened trim panels front and rear
- Enclosure with width 1200 mm has two 600 mm wide mounting panels
- Rain canopy

**Technical details:**

Available on the Internet



## Single-walled

Width (B1) mm	VE	600	800	1200	Page
Height (H1) mm		1200	1200	1200	
Depth (T1) mm		500	500	500	
Clearance width (B2) mm		512	712	512	
Clearance height (H2) mm		1112	1112	1112	
Clearance depth (T2) mm		449	449	449	
Rain canopy width (B3) mm		650	850	1250	
Rain canopy height (H3) mm		55	55	55	
Rain canopy depth (T3) mm		550	550	550	
Base/plinth height (H4) mm		100	100	100	
Overall height (H5) mm		1355	1355	1355	
<b>Model No.</b>	1 pc(s).	<b>9783.530</b>	<b>9783.610</b>	<b>9784.540</b>	
Door(s)		1	1	2	
Weight kg		38.0	49.5	66.0	
With removable centre bar, 2 lockable doors		–	–	■	

**Accessories**

Concrete base/plinth	1 pc(s).	9765.082	9765.084	9765.086	7
Cable entry plates	2 pc(s).	8800.060	8800.080	8800.060	650 <sup>1)</sup>
Mounting plates	1 pc(s).	9765.092	9765.095	9765.191	7
Mounting angles 482.6 mm (19')	2 pc(s).	7688.000	7688.000	7688.000	7
Installation brackets for mounting angles	2 pc(s).	7696.000	7698.000	7696.000	7
Enclosure heaters	1 pc(s).	3105.400	3105.400	3105.400	367 <sup>1)</sup>
Enclosure internal thermostat	1 pc(s).	3110.000	3110.000	3110.000	379 <sup>1)</sup>
Semi-cylinder	1 pc(s).	9785.040	9785.040	9785.040	565 <sup>1)</sup>

<sup>1)</sup> See Catalogue 34

# Accessories for CS New Basic enclosures

## Concrete base/plinth

### for CS New Basic enclosures

The base/plinth is made from pre-cast concrete sections which are easily fitted in situ. Front/rear base/plinth plate screw-fastened from the inside may be removed for servicing purposes. Overall height: approx. 1000 mm, excavation depth: approx. 700 mm.

#### Material:

- Light-weight concrete

#### Surface finish:

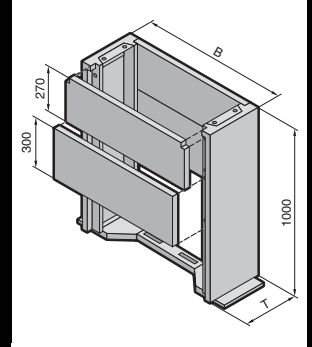
- Untreated

#### Supply includes:

- 1 base plate
- 2 side parts
- 2 divided base/plinth plates
- Assembly parts and fastening screws for mounting the enclosure

For enclosure		Model No.
Width (B) mm	Depth (T) mm	
600	500	<b>9765.082</b>
800	500	<b>9765.084</b>
1200	500	<b>9765.086</b>

Extended delivery times.



## Mounting plates

### for CS New Basic enclosures

For the configuration of mounting levels. The mounting plates are depth-adjustable on a 25 mm pitch pattern.

#### Material:

- Aluminium, 3 mm

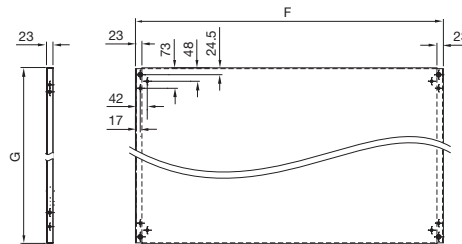
#### Supply includes:

- Assembly parts

#### Note:

- For an enclosure width of 1200 mm, partial installation with one or two 600 mm wide mounting plates is possible

For enclosure		F	G	Model No.
Width mm	Height mm			
600	1200	499	1096	<b>9765.092</b>
800	1200	699	1096	<b>9765.095</b>
1200	1200	1099	1096	<b>9765.191</b>



## Mounting angles 482.6 mm (19')

### for CS New Basic enclosures

For mounting 482.6 mm (19') components in outdoor enclosures. The mounting angles are depth-adjustable on a 25 mm pitch pattern. A depth stay is required to attach the mounting angles.

#### Material:

- Sheet steel

#### Surface finish:

- Zinc-plated

#### Supply includes:

- Mounting accessories

Enclosure height mm	U	Packs of	Model No.
1200	24	2 pc(s).	<b>7688.000</b>



#### Also required:

Depth stays, see page 7



## Depth stays

### for mounting angles 482.6 mm (19')

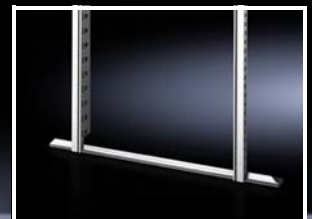
#### Material:

- Sheet steel

#### Surface finish:

- Zinc-plated

Enclosure width mm	Installation (centre)	Packs of	Model No.
600/1200	482.6 mm (19')	2 pc(s).	<b>7696.000</b>
800	482.6 mm (19')/metric	2 pc(s).	<b>7698.000</b>



# CS wall-mounted enclosures



**Compact enclosures AE, stainless steel** Cat. 34, page 179 **Hygienic Design** Cat. 34, page 170

Outdoor enclosures for wall or pole mounting. Enclosure-within-an-enclosure concept, outer enclosure with cut-out at the bottom and integrated louvres on the rear panel and side panels for ventilation.

**Material:**

- Enclosure: Aluminium AIMg3
- Mounting plate: Aluminium

**Surface finish:**

- Enclosure: Powder-coated, UV-resistant pure polyester
- Mounting plate: Clear chromated

**Colour:**

- RAL 7035

**Protection category IP to IEC 60 529:**

- IP 55

**Supply includes:**

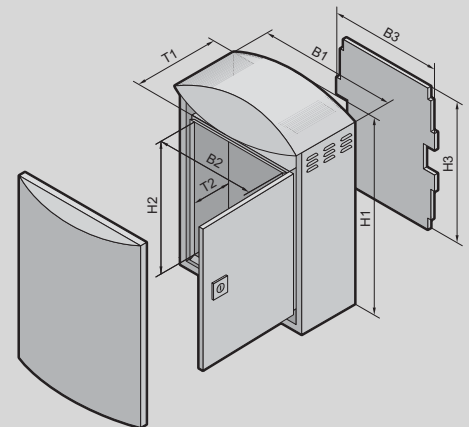
- Double-walled outdoor enclosure fully pre-configured
- Inner enclosure with mounting plate, gland plate and security lock (CS 9791.045 with 2 security locks)
- Mounting bracket for enclosure internal thermostat or hygrostat
- Outer enclosure with designer cover and security lock 3524 E
- 2 C rails on the rear panel

**Availability:**

Available on request

**Technical details:**

Available on the Internet



## Double-walled

Outer enclosure						
Width (B1) mm	Packs of	370	420	530	630	Cat. 34, page
Height (H1) mm		522	560	700	780	
Depth (T1) mm		210	210	265	380	
Inner enclosure						
Width (B2) mm		300	350	460	580	
Height (H2) mm		400	440	565	580	
Depth (T2) mm		170	170	220	333	
Clearance width mm		280	330	440	560	
Clearance height mm		380	420	545	560	
Clearance depth mm		145	145	195	308	
Mounting plate width (B3) mm		270	320	430	550	
Mounting plate height (H3) mm		380	410	535	550	
<b>Model No.</b>	1 pc(s).	<b>9791.015</b>	<b>9791.025</b>	<b>9791.035</b>	<b>9791.045</b>	
Accessories						
Pole clamp	1 set(s)	2584.000	2584.000	2584.000	2584.000	589
Enclosure heaters	1 pc(s).	3105.330	3105.330	3105.330	3105.330	366
Enclosure internal thermostat	1 pc(s).	3110.000	3110.000	3110.000	3110.000	379
Hygrostat	1 pc(s).	3118.000	3118.000	3118.000	3118.000	380
Socket	2 pc(s).	2506.100	2506.100	2506.100	2506.100	424
LED system light	1 pc(s).	4140.810	4140.810	4140.820	4140.820	637
LED connection cable	1 pc(s).	4315.800	4315.800	4315.800	4315.800	638
Adaptor power pack	1 pc(s).	4315.860	4315.860	4315.860	4315.860	638



# CS Toptec

## Universal platform for outdoor applications

- TS 8 frame – Identical system platform in the outdoor sector as for IE or IT free-standing enclosures
- Weather canopy – With projection on all sides
- Chimney effect of the twin-walled structure – Reduces the influence of sunlight
- Mounting benefit – Open frame structure means fast configuration, also applies to bayed variants



## Version

### Enclosure type:

- Outdoor enclosure, twin-walled

### Material:

- Base frame: Stainless steel
- Enclosure panels: Aluminium
- Rain canopy: Aluminium

### Variants and modifications available on request:

- Dimensions
- Baying
- Side door
- Rear door
- Climate control

### Typical size variants:

Width x height x depth

- 600 x 1200 x 600 mm
- 800 x 1200 x 600 mm
- 600 x 1600 x 600 mm
- 800 x 1600 x 600 mm

# MFC – Multifunctional cabinets

## Platform for telecommunications solutions

- Weather canopy – with ventilation
- Gland plate with cable glands
- 482.6 mm (19") mounting angles inside the enclosure, in stainless steel throughout
- Aluminium mounting plate
- Depending on the design, with single door/two doors, symmetrical or asymmetrical



## Version

### Enclosure type:

- Modular outdoor enclosure system, single- or twin-walled

### Material:

- Base frame: Aluminium
- Enclosure and panels: Aluminium
- Rain canopy: Aluminium
- 482.6 mm (19") mounting angles: Stainless steel

### Variants available on request:

- MFC 8 single-walled:  
WHD 1000 x 1500 x 500 mm
- MFC 8 twin-walled:  
WHD 1000 x 1500 x 500 mm
- MFC 12 twin-walled:  
WHD 1300 x 1500 x 500 mm
- MFC 15 twin-walled:  
WHD 1700 x 1500 x 500 mm
- MFC 18 twin-walled:  
WHD 2000 x 1500 x 500 mm

### Accessories available on request:

- Base/plinth
- DAC (Direct Air Cooling)
- Heat exchanger
- Battery base
- PSU (energy meter for power supply companies)
- Voltage transformer

More information can be found at [www.rittal.com](http://www.rittal.com)





# Rittal – The System.

Faster – better – everywhere.

- Enclosures
- Power Distribution
- Climate Control
- IT Infrastructure
- Software & Services

You can find the contact details of all Rittal companies throughout the world here.



[www.rittal.com/contact](http://www.rittal.com/contact)

ENCLOSURES

POWER DISTRIBUTION

CLIMATE CONTROL

IT INFRASTRUCTURE

SOFTWARE & SERVICES



FRIEDHELM LOH GROUP