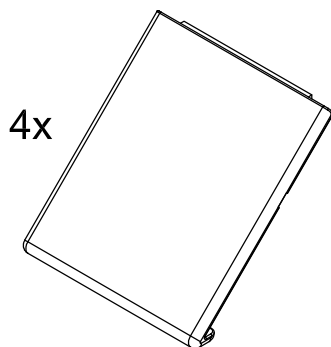


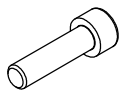



CP  
6106.400



Raum für Verpackungsdatum  
Area for date of packing  
(MMJJTT / MMYDD)

- 8x  J8,4
- 4x  A6,4
- 4x  M12
- 4x  M8
- 4x  M6



- 4x  M8x40
- 4x  M6x16
- 4x  M8x16
- 4x  A13

Zchnng.-Nr. / No. of dwg. : A049041CP72  
Versandbeutel-Nr. / No. of accessory bag :

Lieferanten-Nr. / No. of supplier :

