

PE-Kombiwinkel	9661.230
PE combination angle	9661.235
Equerre combinée PE	

PE/PEN-Sammelschiene	9661.300/.305
PE/PEN busbar	9661.320/.325
Jeu de barres PE/PEN	9661.330/.335
	9661.340/.345
	9661.360/.365
	9661.380/.385

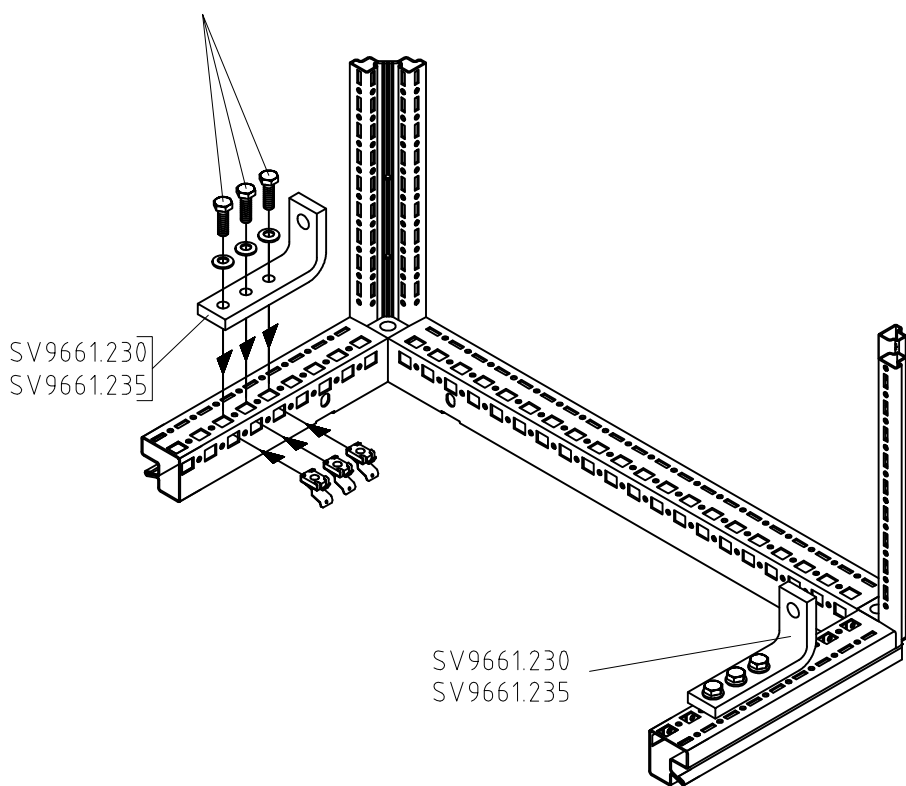
PE/PEN-Anreihlasche	9661.350
PE/PEN baying bracket	9661.355
Patte de juxtaposition PE/PEN	

Zchnng.-Nr. / No. of dwg. : A3758700SV

Versandbeutel-Nr. / No. of accessory bag : -

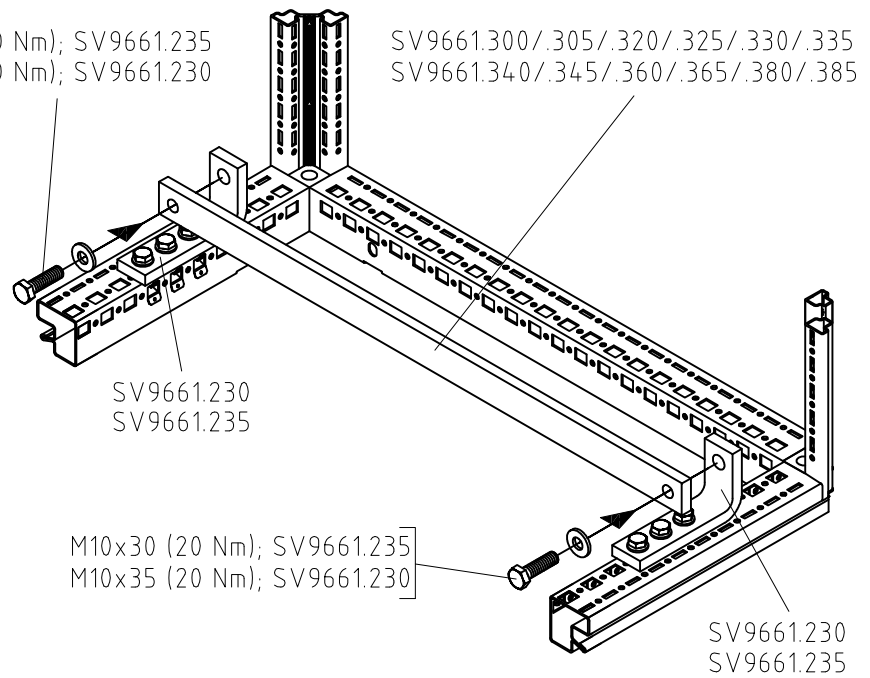
Lieferanten-Nr. / No. of supplier :

M8x20 (10 Nm); SV9661.235
M8x25 (10 Nm); SV9661.230



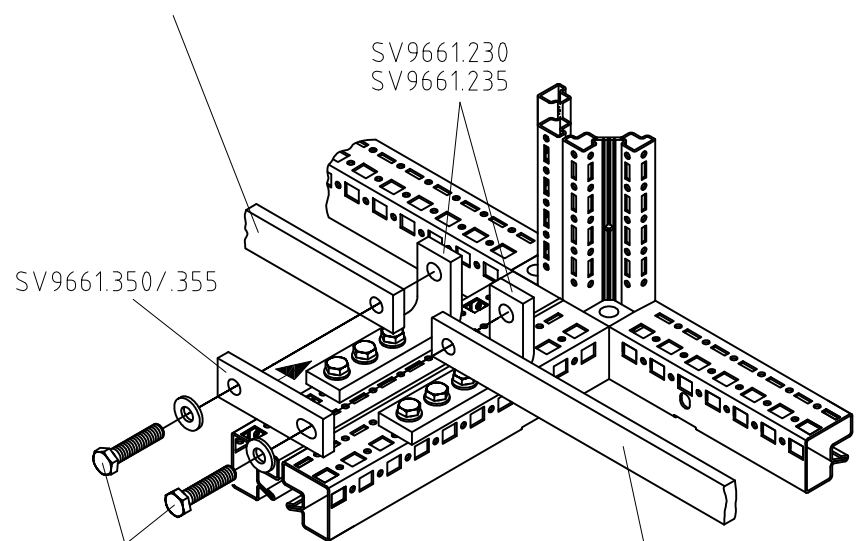
M10x30 (20 Nm); SV9661.235
M10x35 (20 Nm); SV9661.230

SV9661.300/.305/.320/.325/.330/.335
SV9661.340/.345/.360/.365/.380/.385



SV9661.300/.305/.320/.325/.330/.335
SV9661.340/.345/.360/.365/.380/.385

SV9661.230
SV9661.235



M10x30 (20 Nm); SV9661.235
M10x45 (20 Nm); SV9661.230

SV9661.300/.305/.320/.325/.330/.335
SV9661.340/.345/.360/.365/.380/.385