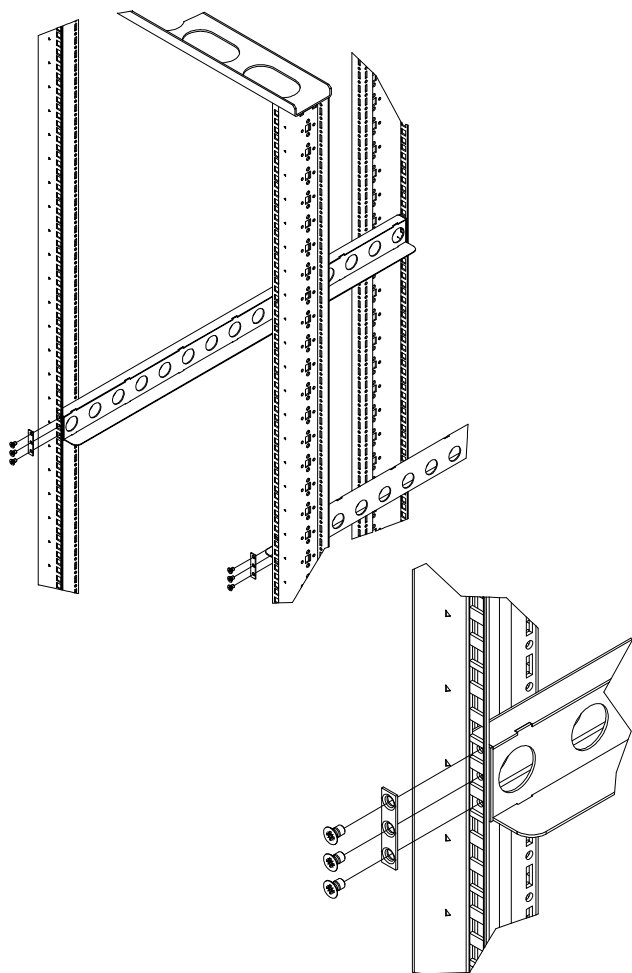




Raum für Verpackungsdatum
Area for date of packing
(MMJJTT / MMYDD)

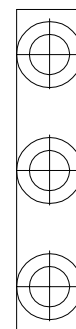


4x



M5x8

2x



Zchng.-Nr. / No. of dwg. : A3573700IT

Versandbeutel-Nr. / No. of accessory bag : 296825

Lieferanten-Nr. / No. of supplier :

