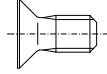




IT  
7000.625  
7000.626

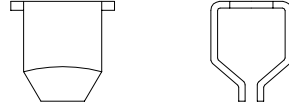
Raum für Verpackungsdatum  
Area for date of packing  
(MMJJTT / MMYDD)

8x

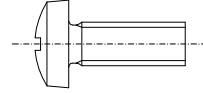


M 5x8

4x

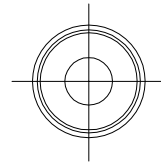


4x

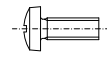


M 6x16

4x



2x

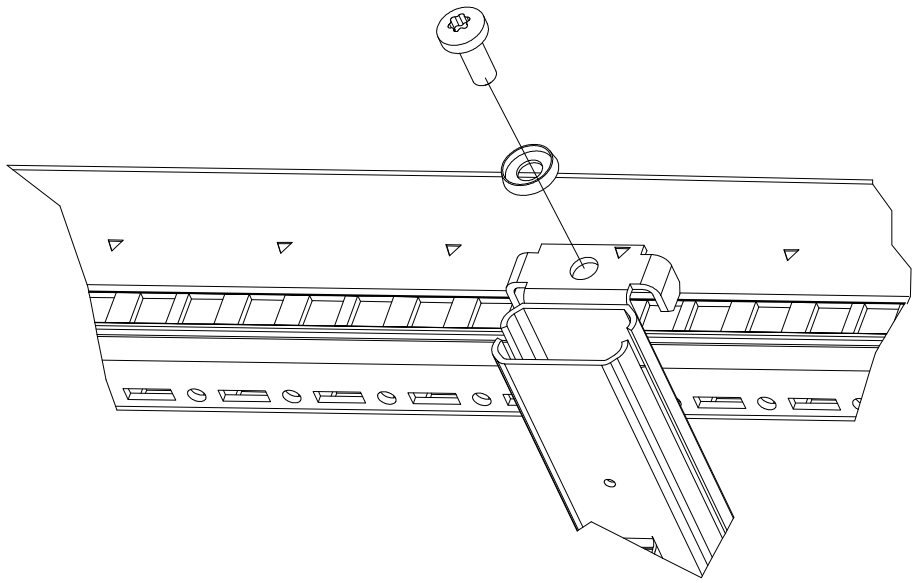
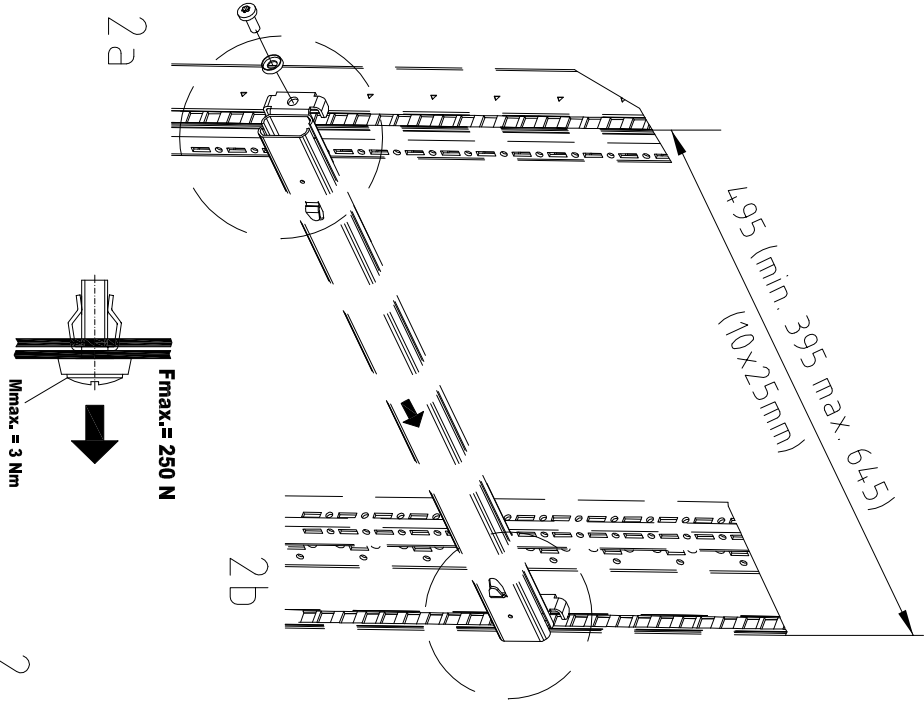
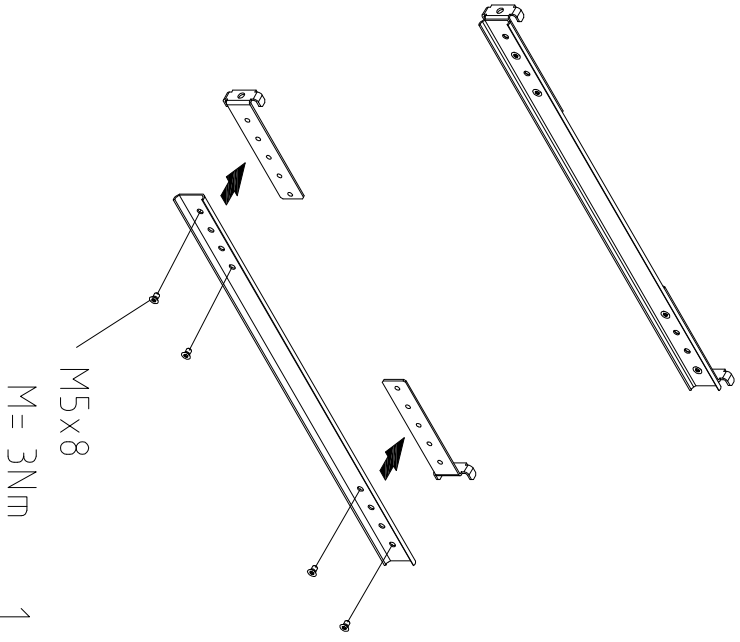


M 3x10

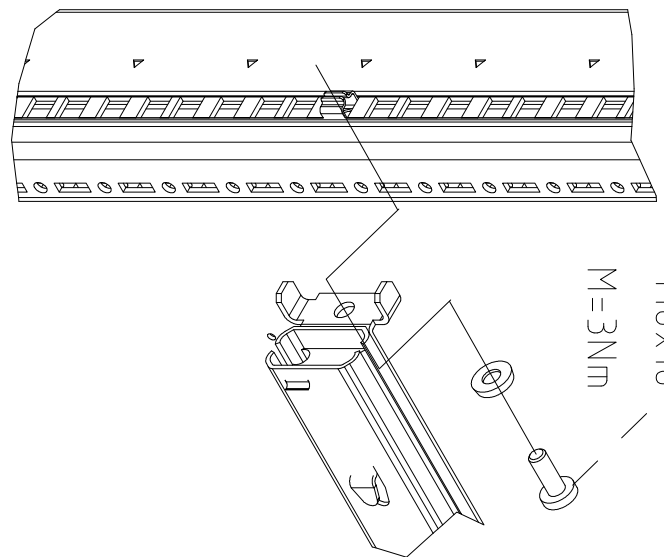
Zchnng.-Nr. / No. of dwg. : A3844303IT

Versandbeutel-Nr. / No. of accessory bag : 382465

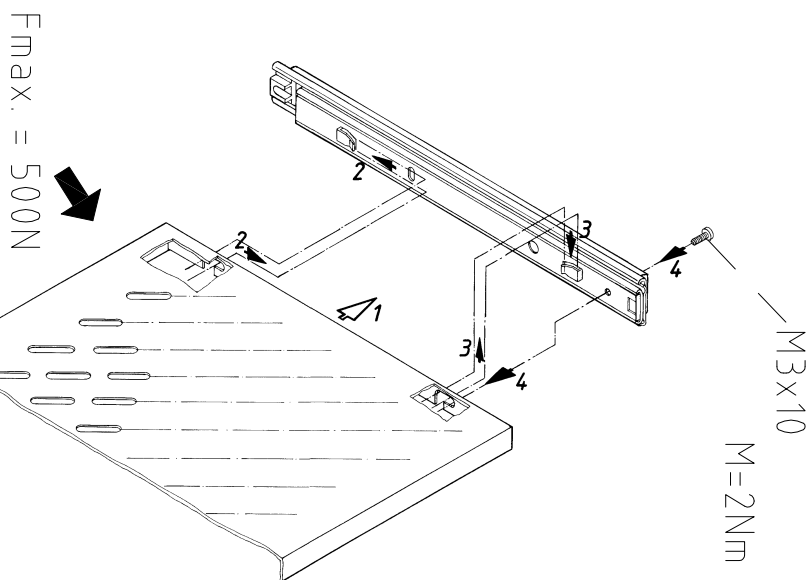
Lieferanten-Nr. / No. of supplier :



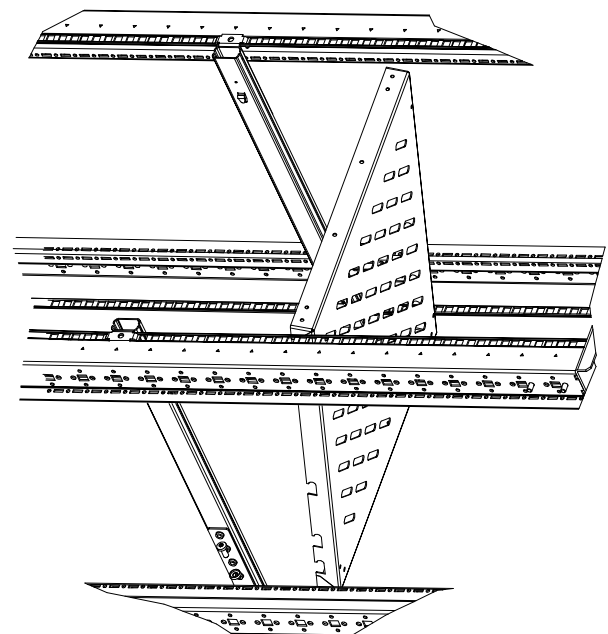
2a



2b



3b



3a