

# Rittal – The System.

Faster – better – everywhere.

**Anschluss-Set für  
Luft/Wasser-Wärmetauscher  
Connection set for  
air/water heat exchangers**

3201.990

**Montage- und Installationsanleitung  
Assembly and operating instructions**

ENCLOSURES

POWER DISTRIBUTION

CLIMATE CONTROL

IT INFRASTRUCTURE

SOFTWARE & SERVICES

FRIEDHELM LOH GROUP



# Assembly and installation instructions

EN

## 1 Application area

The connection set for air/water heat exchangers is used to ensure professional cooling water connections and volumetric flow control. The set is compatible with all Rittal TopTherm air/water heat exchangers with Model Nos. 3209.XX0, 3210.XX0, 3364.XX0, 3373.XX0, 3374.XX0, 3216.480, 3375.XX0.

## 2 Connection and assembly

### 2.1 Connection

- Remove the connector sleeves and flat seals attached to the device (not required with 3209.XX0 and 3210.XX0).

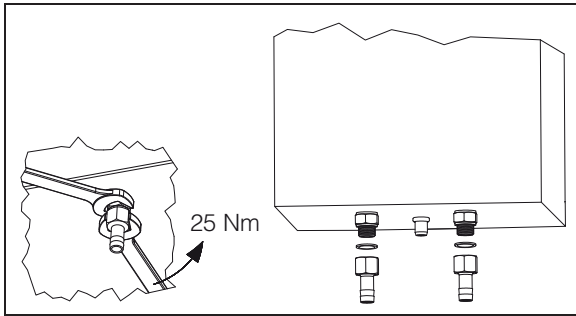


Fig. 1: Remove the connector sleeve



#### Note:

When loosening the connector sleeve, it is very important to secure the device fitting using an SW22 spanner. Otherwise, the connection in the device could leak.

- Attach the G  $\frac{3}{8}$ " x G  $\frac{3}{4}$ " adaptor included with the set to the cooling water inlet and return. Hand-tighten the adaptors, then tighten a further half-turn using an SW19 spanner.



Fig. 2: Attach the adaptor

- Insert the supplied PTFE seals into the G  $\frac{3}{4}$ " union nuts.

- Attach the preconfigured assembly of flow regulator valve and pressure hose to the G  $\frac{3}{8}$ " x G  $\frac{3}{4}$ " adaptor of the cooling water inlet.
- Hand-tighten the union nut of the adaptor, then tighten a further half-turn using an SW32 spanner.
- Attach the pressure hose for the cooling water return in the same way.

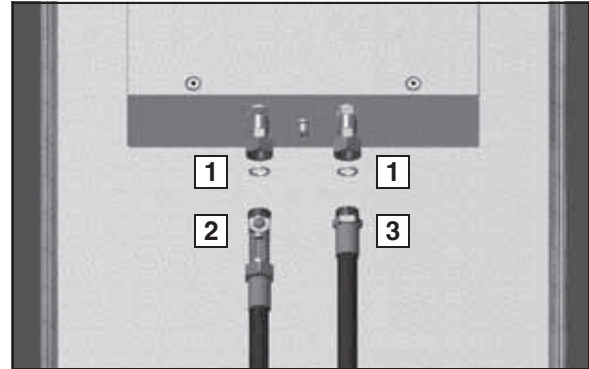


Fig. 3: Attach the pressure hoses

#### Key

- 1 PTFE seal
- 2 Cooling water **inlet**
- 3 Cooling water **return**



#### Note:

Before tightening the union nuts, please ensure that the display and the dial of the flow regulator valve are pointing forwards.



#### Note:

To achieve full cooling performance, the water flowrate should be regulated to 400 l/h.

- If necessary, cut the pressure hoses to the required length.
- Insert the ribbed connector sleeve with G  $\frac{1}{2}$ " union nut into the end of the hose, and secure using the heavy duty clamps supplied.

# Assembly and installation instructions

EN

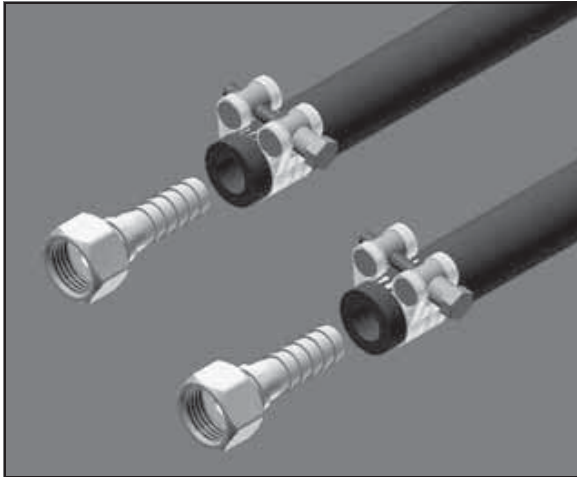


Fig. 4: Shorten the pressure hoses

- Connect the pressure hoses to the cooling water supply.

## 2.2 Assembly

The supply includes two hose clamps (including assembly parts) for routing the pressure hoses along the enclosure door or side panel.

- Attach the clamps to the enclosure using the washers and self-tapping screws included with the supply.

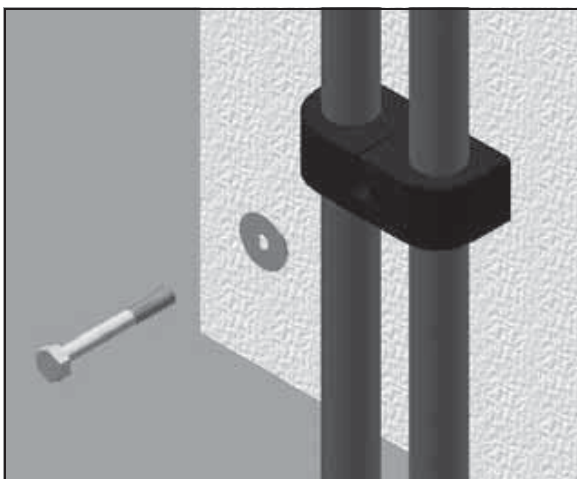


Fig. 5: Attach the clamps



**Caution!**  
We do not advise attaching the hose clamps to the air/water heat exchanger, due to the risk of damaging the heat exchanger package.

## 3 Supply includes

Quantity	Description
2	Pressure hoses
1	Flow regulator valve
1	Dispatch bag:
2	– G 3/8" x G 3/4" adaptor
2	– PTFE seals 24 x 18 x 2
2	– Heavy-duty clamps
2	– Ribbed connector sleeves with G 1/2" union nuts
1	– Assembly instructions
2	– Screws 5.5 x 60
2	– Washers 25 x 6.4 x 1.25
2	– Hose clamps (dual version)

Tab. 1: Supply includes

## 4 Technical specifications

Model No.	3201.990
Hose length	3600 mm (including flow regulator valve)
Admissible pressure	1 to 10 bar
Material of pressure hose	EPDM
Material of fittings	Brass (CuZn)
Material of hose clamps	Thermoplastic elastomer
Setting range of flow regulator valve	3 to 12 l/min

Tab. 2: Technical specifications



**Note:**

The pressure of 7 bar (100 PSI) shown on the pressure hoses refers to water vapour as the medium.

# Rittal – The System.

---

**Faster – better – everywhere.**

- Enclosures
- Power Distribution
- Climate Control
- IT Infrastructure
- Software & Services

RITTAL GmbH & Co. KG  
Postfach 1662 · D-35726 Herborn  
Phone +49(0)2772 505-0 · Fax +49(0)2772 505-2319  
E-mail: [info@rittal.de](mailto:info@rittal.de) · [www.rittal.com](http://www.rittal.com)

ENCLOSURES

POWER DISTRIBUTION

CLIMATE CONTROL

IT INFRASTRUCTURE

SOFTWARE & SERVICES

FRIEDHELM LOH GROUP

