



TS

8801.715
8801.915

2x 5.5x13

2x M5x10

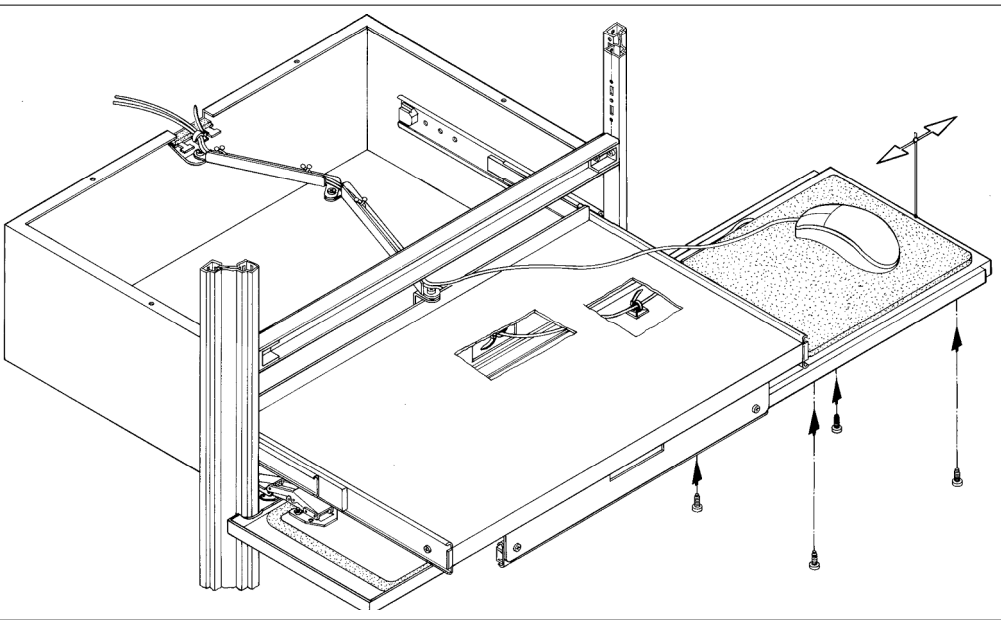
2x

2x

5,5x13
 $M_D = 5Nm$

Torx 25

M5x10
 $M_D = 3Nm$



10x 5.5x9.5

2x 6.1

1x M6x12

2x M6

1x

4x A6.4

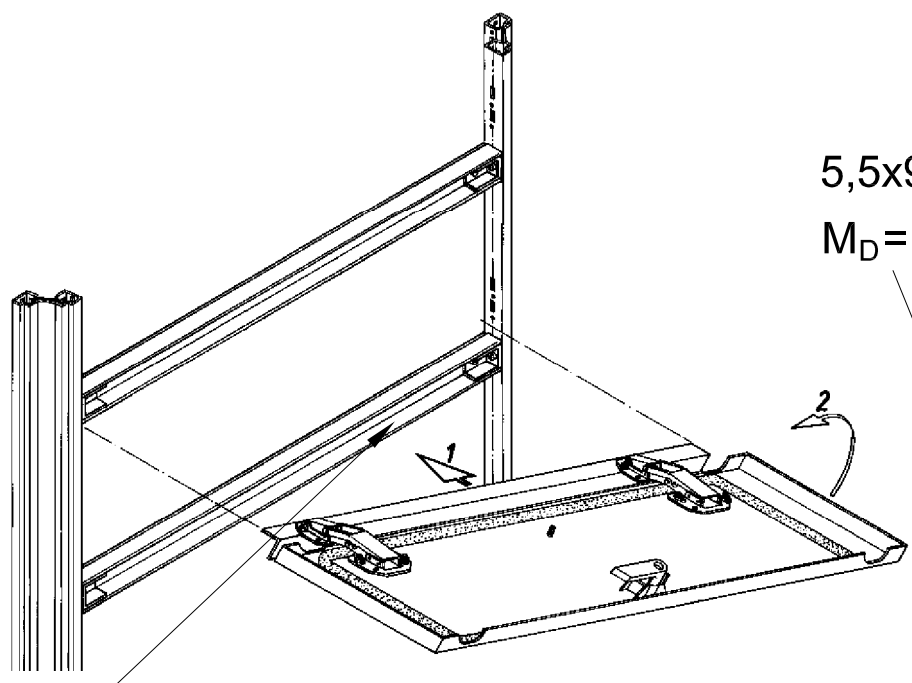
2x

8x A5.3

2x

2x

Zchng.-Nr. / No. of dwg. : A2619504TS
Versandbeutel-Nr. / No. of accessory bag : 285048 Lieferanten-Nr. / No. of supplier :

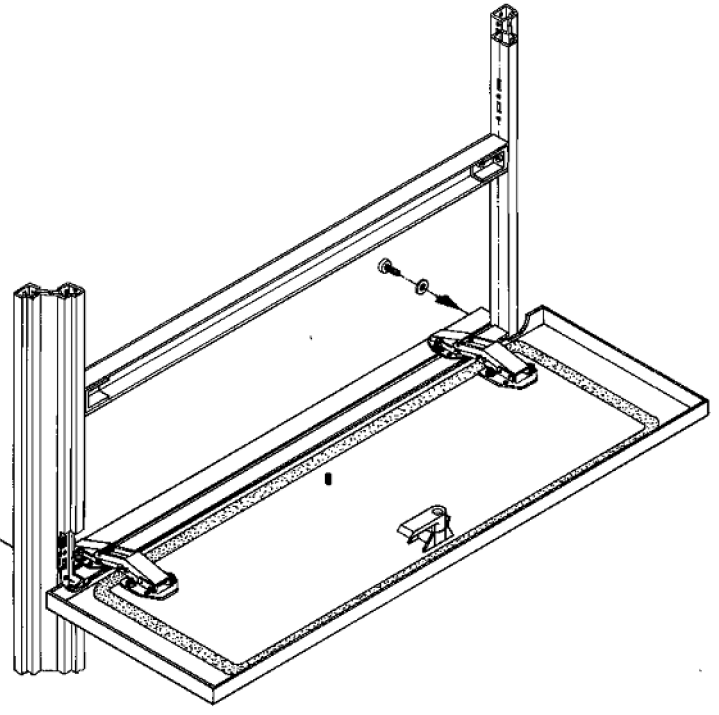


5,5x9,5
 $M_D = 5 Nm$

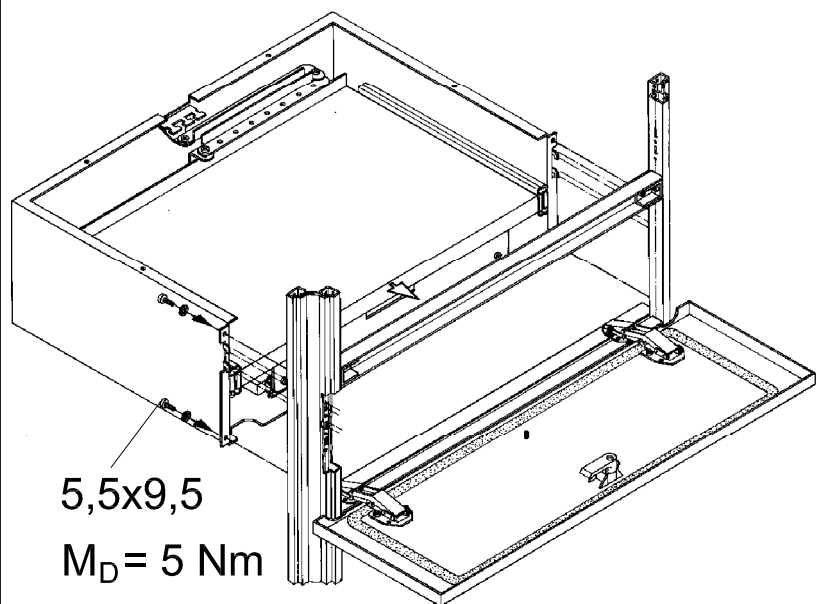
Torx 25

SW 10

Unten aus TS 8801.715 / 8801.915
Bottom of TS 8801.715 / 8801.915



5,5x9,5
 $M_D = 2Nm$



M6
 $M_D = 5Nm$

