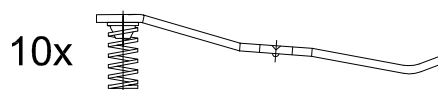
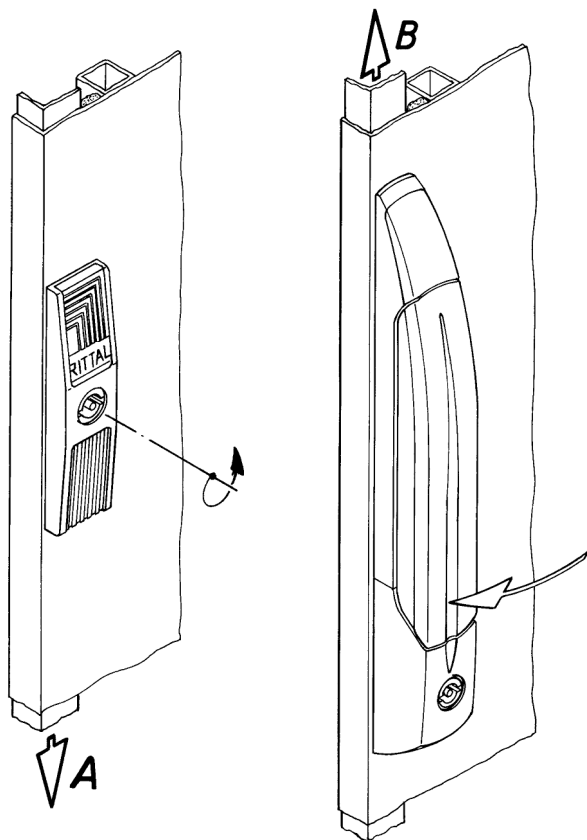


TS
8611.210



Zchng.-Nr. / No. of dwg. : A2296001TS
Versandbeutel-Nr. / No. of accessory bag : -

Lieferanten-Nr. / No. of supplier :

