

# Rittal – The System.

Faster – better – everywhere.

## ► Technical System Catalogue Support arm systems



ENCLOSURES

POWER DISTRIBUTION

CLIMATE CONTROL

IT INFRASTRUCTURE

SOFTWARE & SERVICES

FRIEDHELM LOH GROUP



# Support arm system CP 60/120/180



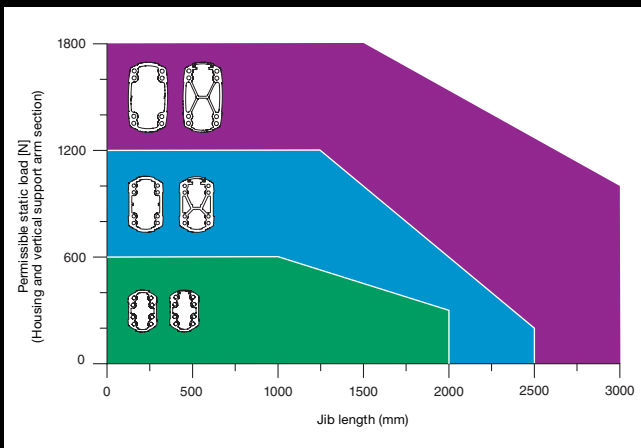
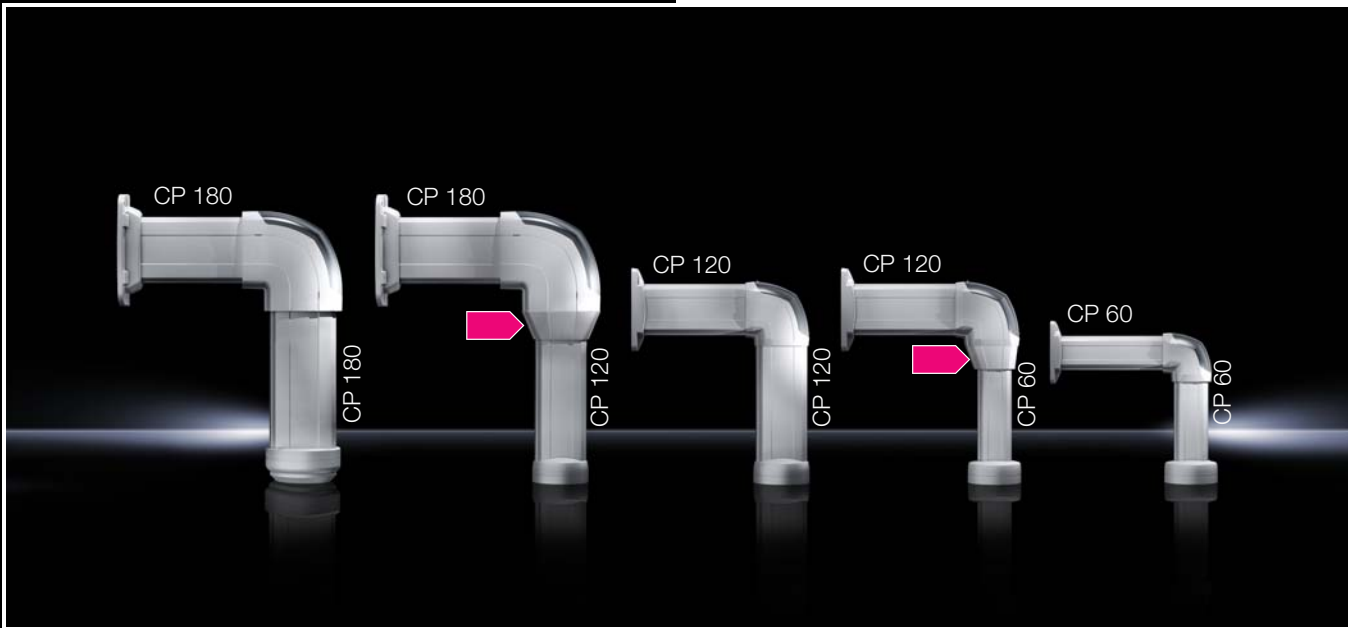
From different lines of sight to the machine to smaller or taller operators working from a seated or standing position – with the support arm systems from Rittal, the interaction between observing and controlling has never been better.



#### Benefits:

- One system – three combinable cross-sections
- Elegant design full of functionality
- Highly stable for all load levels up to 1800 N
- Consistent combination options
- Continuous, automatic potential equalisation
- User-friendly system change in the vertical axis to cut costs and weight
- Simple and uniform adjustment principle
- Safe cable management with integrated cable/edge protection
- Compatible components for almost any application
- Integrated, adjustable range of rotation limits
- Open support section for easy upgrade and servicing access
- Easy one-person assembly
- Support arm sections can be easily cut to the required length
- Mounting without thread-tapping due to self-tapping screws

# Support arm system CP 60/120/180

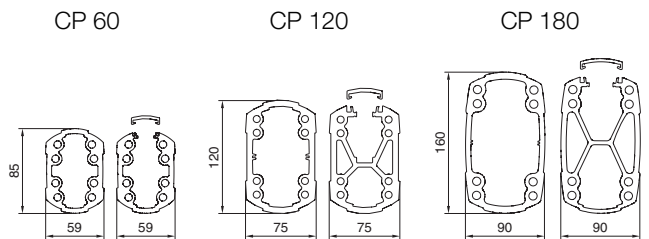


## System change

In the vertical axis, a system change to the next smallest system is possible without impairing the load capacity.

### One system – one engineering solution – one design

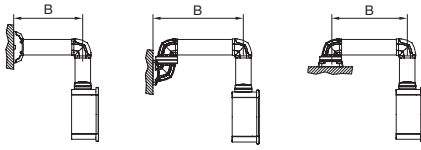
- Uniform adjustment method
- Greater safety due to efficient cable management and continuous automatic potential equalisation
- Load range up to 1800 N (180 kg)
- High level of stability



# Support arm system CP 60/120/180

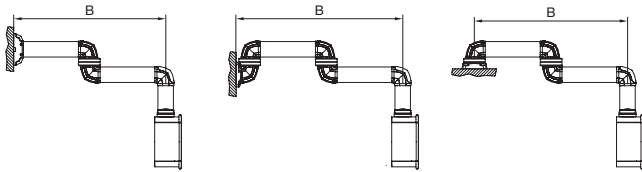
## Load capacity of support arm system CP 60

**1** System configuration without intermediate hinge 6206.620



B max. = 2000 mm

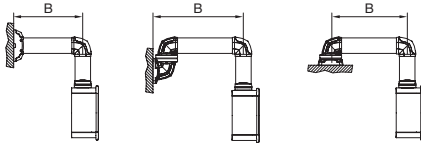
**2** System configuration with intermediate hinge 6206.620



B max. = 2000 mm

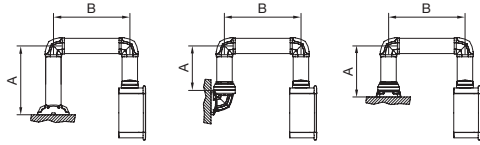
## Load capacity of support arm system CP 120

**A** Maximum system length 2500 mm for systems with a horizontal outlet at the start of the system



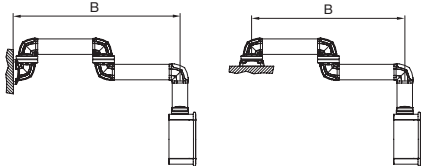
**1** System configuration without intermediate hinge 6212.620

**B** Maximum system length 1500 mm for systems with a vertical outlet at the start of the system



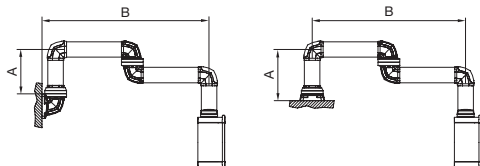
**1** System configuration without intermediate hinge 6212.620

**2 3** System configuration with intermediate hinge 6212.620



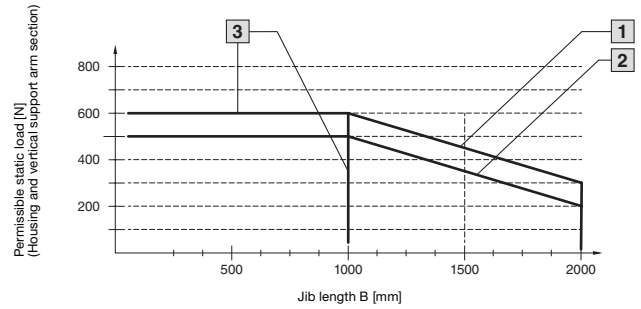
B max. = 2500 mm

**2 3** System configuration with intermediate hinge 6212.620



A max. = 500 mm  
B max. = 1500 mm

## Permissible load depending on system configuration



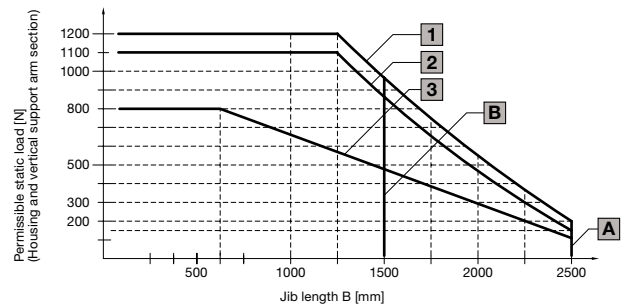
**1** System configuration without intermediate hinge 6206.620

**2** System configuration with intermediate hinge 6206.620

**3** System configuration without intermediate hinge 6206.620, with open support section

- Wall/base mounting bracket, small 6206.820 must not be used in conjunction with intermediate hinge 6206.620!
- Intermediate hinge 6206.620 should only be used once per system!

## Permissible load depending on system configuration



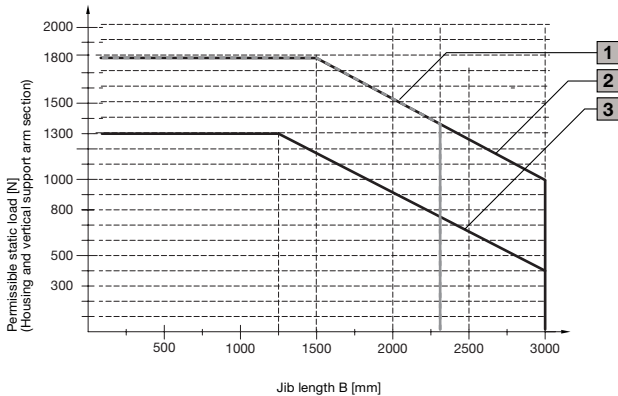
**1** System configuration without intermediate hinge 6212.620, with solid or open support section

**2** System configuration with intermediate hinge 6212.620, with solid support section

**3** System configuration with intermediate hinge 6212.620, with open support section

# Support arm system CP 60/120/180

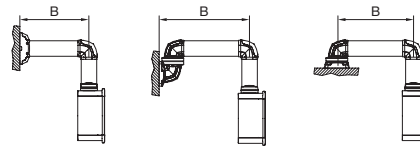
Permissible load depending on system configuration



- 1 System configuration without intermediate hinge 6218.620, with solid or open support section
- 2 System configuration with intermediate hinge 6218.620, with solid support section
- 3 System configuration with intermediate hinge 6218.620, with open support section

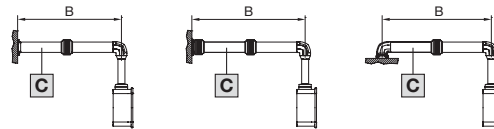
## Load capacity of support arm system CP 180

1 System configuration without intermediate hinge 6218.620



B max. = 2300 mm

2 3 System configuration with intermediate hinge 6218.620



B max. = 3000 mm

Intermediate hinge CP 6218.620 should only be used once per system!

C Rittal recommends that a solid support section should be used wherever possible.

# Support arm system CP 60/120/180 application examples

## Side mounting with CP 60



## Mounting from above with CP 120/60



# Support arm system CP 60/120/180 application examples

## Side mounting with CP 180



## Mounting from above with CP 180/120





# Support arm system CP 60/120/180

## Quality management

Rittal products meet the highest internationally recognised quality standards.

- All components are subjected to the most stringent testing in accordance with international standards and regulations
- The consistently high product quality is ensured by a comprehensive quality management system
- Regular production inspections by external test institutes guarantee compliance with global standards



## CAD data

Using the RiCAD 3D online CAD component library, Rittal offers engineering, climate control, IT and power solutions for the widest range of enclosures and applications from a single source.

With professional data for every CAD system, the efficiency of your system design is increased and assembly times are reduced.

- CAD data is also available as an app for reference on the move or from the Rittal website
- Data can be requested via e-mail
- Choose from over 70 CAD formats
- Direct link to the relevant page in the latest Rittal Catalogue for an "all-in-one" solution
- Optimum planning confidence through accurate and validated drawings
- By dispensing with the need for lengthy remodelling, time-savings are achieved



## Support arm system CP 60/120/180



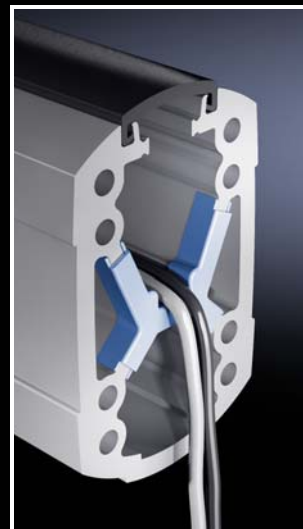
### Potential equalisation

- Automatic and continuous potential equalisation of every support arm component protects the operator if a cable should break
- The rotating elements of the CP system are fitted with sliding contacts to ensure a reliable electrical contact along the entire system
- Continuous cable protection through rounded edges and special cable protection elements prevent cables from being kinked or chafed

# Support arm system CP 60/120/180

## Edge protection

- Continuous cable protection elements protect cables from damage when under constant load
- Snap-on cable protection elements for open support arm sections to round off the profile contours
- Cable protection elements in the rotating components are fitted with mounting screws and prevent cables from being kinked or chafed



# Support arm system CP 60/120/180



## Efficient cable management

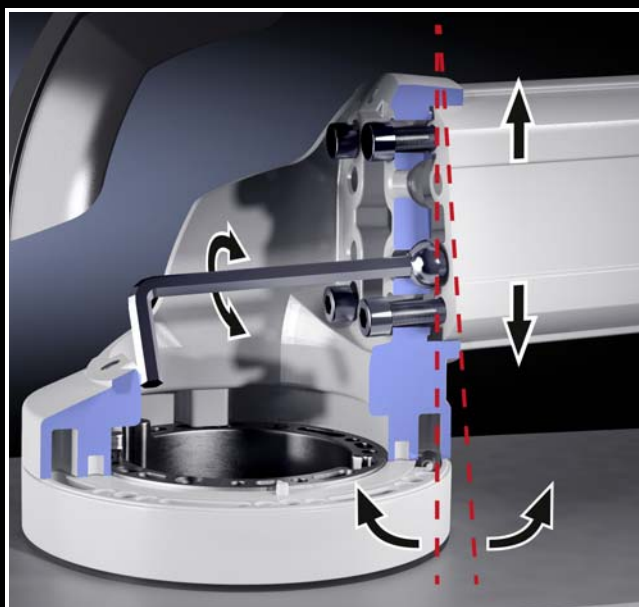
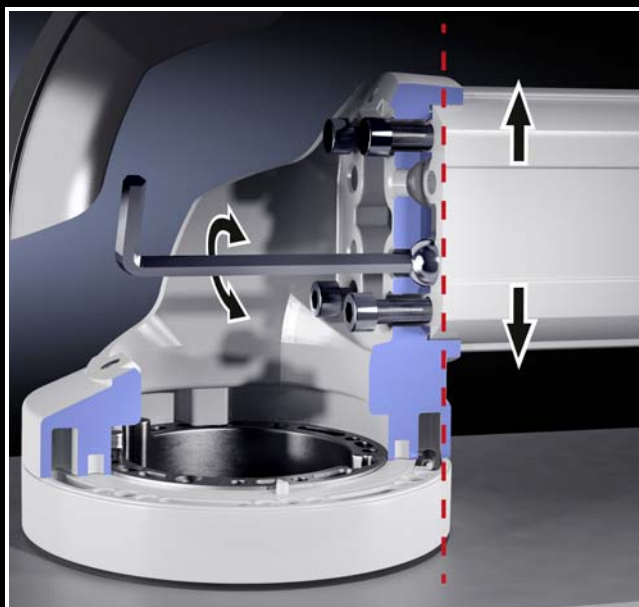
- Open support section for easy upgrade and servicing access
- Simple and continuous cable entry and feed-through options
- Strain-relief option
- Cross-section sufficient for large connectors
- Prepared for the separation of data and power cables
- Removable plastic cover for user-friendly cable feed-through



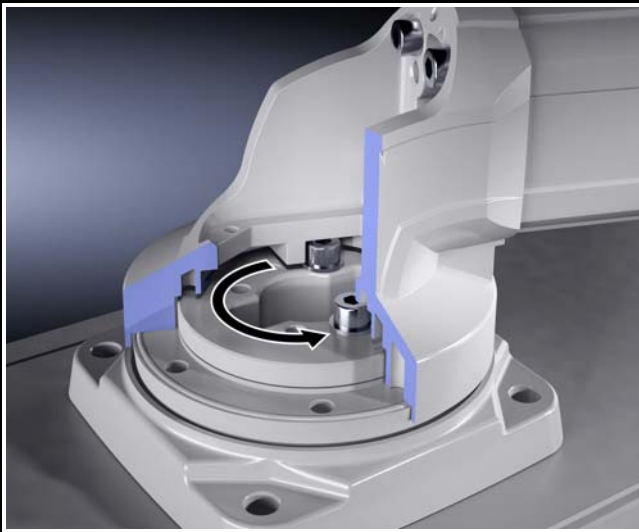
# Support arm system CP 60/120/180

## Adjustment

- Easily adjusted in three steps without dismantling the system
- 1. Apply the adjusting screw to the support arm section
- 2. Assemble the individual components using the mounting screws (one-person assembly possible via machined keyholes)
- 3. Adjust the support arm section using the adjusting screw fitted in step 1
- Plastic cover prepared for signal pillar adaptor
- Adjustment on wall possible

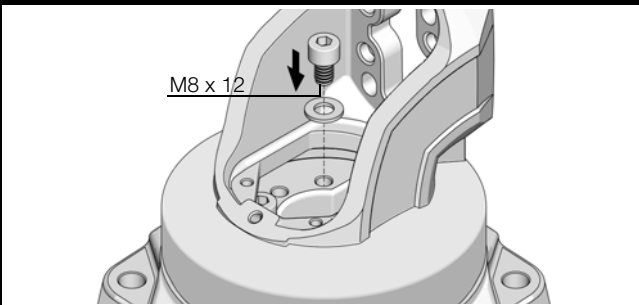


# Support arm system CP 60/120/180



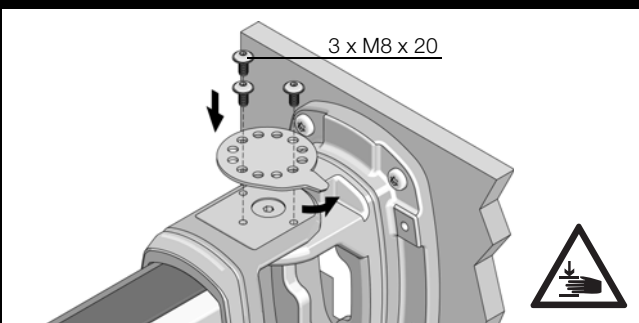
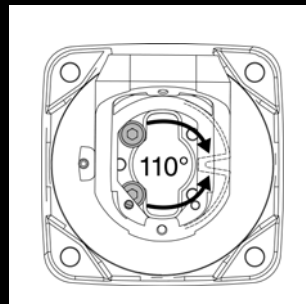
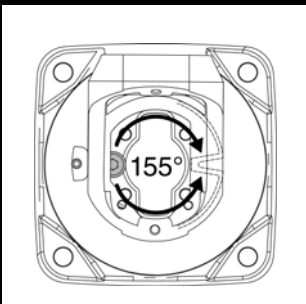
## Rotation range restrictor

- Perfect limitation of the range of rotation, even retrospectively on installed systems and with no disassembly necessary:
  1. Remove the plastic cover
  2. Fit the check screws/grub screws (on couplings) in the relevant position
  3. Range of rotation can be finely adjusted using the respective holes
  4. Fit the plastic cover



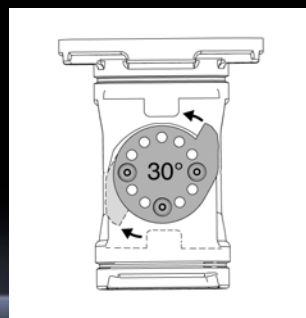
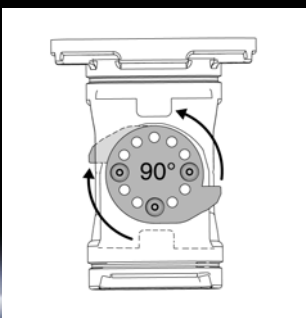
## CP 60/120

- Range of rotation can be finely adjusted using the enclosed screws/grub screws.
- Depending on how the limit screws are arranged, the range of rotation can be set to up to seven stages. Easy access even with the system in-situ.



## CP 180

- Range of rotation can be finely adjusted using the external limiting disc.
- Range of rotation can be set to several stages depending on the position of the screws.
- Range of rotation can also be limited on the top-mounted joint using check screws in the same way as for CP 60/120.



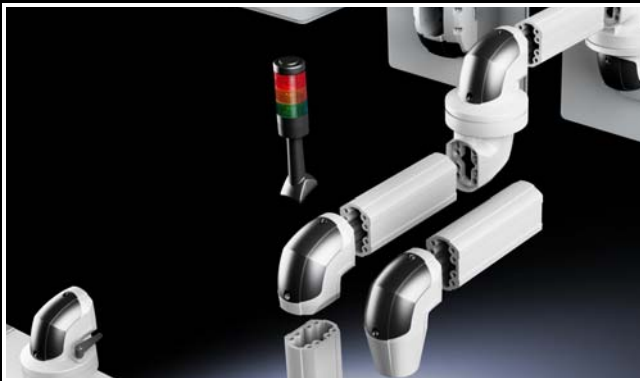
# Support arm system CP 60/120/180

## Clamping elements CP 60/120, open

- Provide additional stability to prevent rotation and twisting of support arm section CP 60/120, particularly with long jibs
- Easy handling when used in preassembled systems; no need to dismantle
- “Toothed” surfaces ensure optimum fixing
- Invisible positioning beneath the clip-in cover



# Support arm system CP 60/120/180



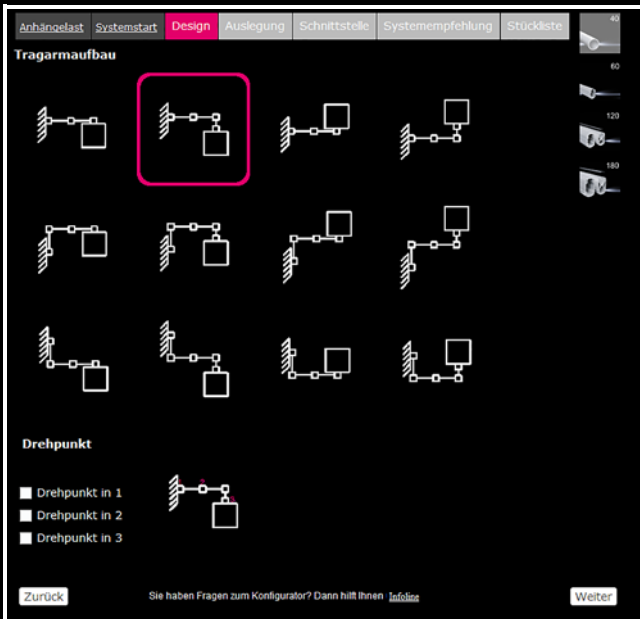
## Support arm configurator for CP 40/60/120/180

Based on important user-specific parameters such as jib length, housing weight or the cable cross-sections required, the tool identifies the perfect system for your application.

### Benefits:

- Individual assembly tailored to the requirements of the application
- Built-in consistency check
- The outcome is a plausibility-checked parts list
- Detailed cut-through dimensions of the support sections
- Free online configurator
- Simple and systematic menu guidance
- Consistent system solution

[www.rittal.com](http://www.rittal.com)



## Support arm system CP 40 Steel/stainless steel

- Round tube system for low loads of up to 400 N
- The compact support arm system for small and slimline operating housings



# Support arm system CP 60/120/180

## Combinations

Perfectly tailored to suit Rittal operating housings.

- Comfort Panel
- Optipanel
- Operating housing with handle strips
- Operating housing for desktop TFT



# Rittal – The System.

Faster – better – everywhere.

- Enclosures
- Power Distribution
- Climate Control
- IT Infrastructure
- Software & Services

You can find the contact details of all Rittal companies throughout the world here.



[www.rittal.com/contact](http://www.rittal.com/contact)

ENCLOSURES

POWER DISTRIBUTION

CLIMATE CONTROL

IT INFRASTRUCTURE

SOFTWARE & SERVICES



FRIEDHELM LOH GROUP